

[GO TO INDEX](#)



2019 WHOLEGOODS PRICING

PRICES EFFECTIVE DECEMBER 1, 2018

Tractor Implements • Compact Drills • No-Till Seeders

Revised 12/14/18

[RETURN TO INDEX](#)

SHIPPING LOCATION

All Purpose Seeders	Abilene	Overseeders	Abilene
All-Flex Mowers	Abilene	Pallet Forks	Abilene
Bale Spears	Kipp	Pasture Aerators	Lucas
Blades	Kipp	Post Hole Diggers	Abilene
Box Scrapers.....	Kipp	Powered Rakes	Abilene
Combination Buckets	Lucas	Primary Seeders	Abilene
Compact Drills	Salina	Quick-Hitches	Abilene
Core Aerators	Abilene	Ripper Shanks.....	Kipp
Disc Harrows: 10/25 Series	Lucas	Rotary Cutters: Single Spindle, RCD1884	Abilene
35 Series	Lucas	84" Single Spindles,	
Ditchers	Kipp	& All Others	Lucas
Drag Harrows	Abilene	Rotary Tillers	Abilene
Drag Scrapers	Lucas	Scarifiers	Kipp
Fertilizer Spreaders	Abilene	Seed Bed Roller	Abilene
Field Cultivators	Lucas	Snow Blowers	Abilene
Flail Mowers	Abilene	Snow Trip Blades.....	Kipp
Food Plot Seeder	Lucas	Snow Pushers	Lucas
Grading Scrapers	Kipp	Soil Pulverizers	Abilene
Grapples	Lucas	Spike Tooth Harrows: 15 Series	Kipp
Grooming Mowers	Abilene	20 Series	Lucas
Hydraulic Reservoir System	Lucas	Straw Crimper	Abilene
Landscape Rakes	Kipp	Wood Chippers	Abilene
Moldboard Plows.....	Kipp		



QUICK HITCH SYSTEMS

Land Pride Quick Hitch Systems, available in a Cat. 1, Cat. 2 or Cat. 3 Tractor 3-Point Hitch, fit most Land Pride products and are a real time saver when working on multiple projects. Some products may require bushings. Look for the Quick Hitch Systems logo to denote applicable products.

COLOR OPTIONS-

Color options are available on some products which are designated throughout this pricebook. Keep in mind that some products are built in batches and various lead times need to be considered.

HORSEPOWER RANGE: Horsepower Range given on all products is a guide. Varied conditions and tractor performance must be considered.

COMPACT DRILLS: These products are sold under different programs and a different freight chart. Please see Terms & Policies for Details.

All-Flex Mowers

AFM42/45 Series8
AFM30 Series **NEW**9

All Purpose Seeders

APS15 Series90

Arena Groomers

AG15 Arena Groomers **NEW**100

Bale Spears

BS10/BSE10/BS20/BSE20 Series156
BS30/BSE30/BS40/BSE40 Series157
BS50/BSE50 Series158
BSR10/20/30/40 Series159
BG/BGE2400 Series Bale Grabber160

Blades

RB05/RB15/RB16 Series101
RB26/RB37 Series102
RBT35 Series - 3-Way Hydraulic103
RBT40 Series - 3-Way Hydraulic104
RBT45 Series - 3-Way Hydraulic105
RBT55 Series - 3-Way Hydraulic106
RBT60 Series - 3-Way Hydraulic - Heavy Duty107
Accessories108

Box Scrapers

BB05 Series112
BB12 Series113
BB15 Series114
BB25 Series115
BB35 Series116
MR15 Series117
HR25 Series118
HR35/HRL35 Series119

Compact Drills

3P500/3P600 Min-Till83
3P606NT 3-Point No-Till84
606NT Pull-Type No-Till85
800 End Wheel Min-Till86
3P806NT/3P1006NT Semi-Mount No-Till87
706NT/1006NT No-Till88

Core Aerators

CA05 Series124
CA15 Series125
CA25 Series126

Disc Harrows

DH10 Series128
DH15 Series129
DH25 Series130
DH3510 - Pull-Type131
DH3512 - Pull-Type132

Ditchers

DT35 Series133
DT55 Series134

Drag Harrows

DRG Series98

Drag Scrapers

BB45 Series123

Fertilizer Spreaders

PTS Pull-Type Series94
PFS Pendulum Series95
FSP Broadcast Series96

Field Cultivators

FC10 & FC15 Series136

Flail Mowers

FM25 Series10

Food Plot Seeder

FPS48 Series99

Grading Scrapers

GS05 Series120
GS15 Series121
GS25 Series122

Grapples

SGC05 Series Claw161
CB05 Series Combination Buckets162
CB10 Series Combination Buckets **NEW**163
SGC06 Series Claw164
SGC10 Series Claw165
SGC15 Series Claw166
SSB15/SGS15 Series Skeleton167
GB25/GBE25 Series Grapple Buckets168

Grooming Mowers

FDR16 Series5
FDR25 Series6
FDR36 Series7

Landscaping Rakes

LR05/LR16 Series109
LR26/LR37 Series110
Accessories111

Moldboard Plows

MP10 & MP20 Series137

No-Till Seeders

NTS25 Series89

Overseeders

OS15 Series91

Pallet Forks

PF10 & PF20 Series152
PFL12/PFL20 Series Pallet Forks **NEW**153
PFL30/PFLE45 Series Pallet Forks154
PFLE55/PFL(E)64 Series Pallet Forks155

Pasture Aerators

AR25 Series - 8' & 10' Pull-Type138

Post Hole Diggers

PD10/PD15/PD25/PD35 Series139
HD25/HD35 Series-Hydraulic Drive140
SA20 Series Hydraulic Driven141
Accessories142

Powered Rakes

PR16 Series143

Primary Seeders

PS15 Series93

Quick-Hitches

QH05 Cat. 1 Series148
QH10/QH15 Cat. 1 Series148
QH20 Cat. 2 / QH30 Cat. 3 Series **NEW**149

Ripper Shanks

RS15 & RS20 Series135

Rotary Cutters

RCR12 Series - Utility Duty11
RCR15 Series - Utility Duty12
RCR18 Series - Utility Duty13
RCR1884 - Utility Duty14
RCF20 Series - Utility Duty - Smooth Top16
RCR26 Series - Medium Duty17
RCF27 Series - Medium Duty18
RCF36 Series - Heavy Duty19
RCF3684 - Heavy Duty20
RCR18 Series - Utility Duty - Dual Spindle Offset21
RCR25 Series - 8' Medium Duty22

RCR25 Series - 10' Medium Duty23
RCF30 Series - 8' Medium Duty24
RCF(M)30 Series - 10' Medium Duty25
RCF(M)36 Series - 8' Heavy Duty26
RCF(M)36 Series - 10' Heavy Duty27
RCFM40 Series - 14' Extra Heavy Duty28
RC2512 - 12' Medium Duty Smooth Top29
RC3712 - 12' Heavy Duty Smooth Top **NEW**30
RCG3712 - 12' Heavy Duty Galvanized **NEW**32
RC2515 - 15' Medium Duty Smooth Top34
RC3715 - 15' Medium Duty Smooth Top **NEW**35
RCG3715 - 15' Medium Duty Galvanized **NEW**37
RC3620 - 20' Medium Duty39
RC3614 - 14' Medium Duty Offset41
RC4615 - 15' Heavy Duty Smooth Top43
RC4610 - 10' Heavy Duty Smooth Top45
RC(M)4715 - 15' Heavy Duty **NEW**47
RC4620 - 20' Heavy Duty Smooth Top49
RC4614 - 14' Heavy Duty Smooth Top51
RC5610 - 10' Heavy Duty Smooth Top53
RC5615 - 15' Heavy Duty Smooth Top55
RC6615 - 15' Extra-Heavy Duty Smooth Top57
RCB6615 - 15' Extra-Heavy Duty Smooth Top59
RC6610 - 10' Extra-Heavy Duty Offset61
RCB6610 - 10' Extra-Heavy Duty Offset63
RC5014-2 - 14' Heavy Duty Offset **NEW**65
RC5020-2 - 20' Heavy Duty **NEW**67
Hitch Options - Folding Cutters69
RCP2660 - Hydraulic Parallel Arm71
RCP3060 - Hydraulic Parallel Arm72
DB(M)2660 - Ditch Bank Cutter73

Rotary Tillers

RTR05 Series Reverse-Till74
RGR12 Reverse/RGA12 Forward Series75
RTR12 Reverse/RTA12 Forward Series76
RTA15 Series Forward -Till77
RTR15 Series Reverse-Till78
RTR20 Reverse / RTA20 Forward Series79
RTA25 Series Forward-Till80
RTR25 Series Reverse-Till81
RTA35 Series Forward-Till82

Scarifiers

SF25 Series111

Seed Bed Roller

SBR Series97

Snow Tools

SB10 Series Snow Blowers170
SB15/SB25 Series Snow Blowers171
SBD35 Series Snow Blowers172
HRS30 Series Hydraulic Reservoir System173
STB10 Series Snow Trip Blades174
STB15 Series Snow Trip Blades175
SPL05 Series Loader Mount Snow Pushers176
SPL10 Series Loader Mount Snow Pushers177
SSP25 Series Snow Pushers178

Soil Pulverizers

SP20 Series144
SP30 Series145

Spike Tooth Harrows

STH15 Series146
STH20 Series147

Straw Crimper

CR25 Series127

Wood Chippers

WC1503 Series150
WC1504 Series151

Freight Charts

US & Canada179

Estimated Times for Dealer Uncrating & Set-up

RETURN TO INDEX

All-Flex Mowers

- AFM42 30 Minutes
- AFM4522 2 Hours 30 Minutes

Bale Grabber 15 Minutes

Bale Spears 30 Minutes

Blades

- RB05/15/16/26 30 Minutes
- RB37 1 Hour
- RBT35/40/45/55/60 2 Hours

Box Scrapers

- BB05/12/15/25/35 30 Minutes
- HR25/HR35/HRL35 30 Minutes
- MR15/MRL35 30 Minutes

Compact Drills

- 3P500 1 Hour
- 3P600 1 Hour
- 800 End-Wheel 2 Hours
- 3P606NT 1 Hour
- 3P806NT 1 Hour
- 3P1006NT 1 Hour
- 606NT 2 Hours
- 706NT/1006NT 2 Hours

Core Aerators

- CA05 1 Hour 30 Minutes
- CA15/25 30 Minutes

Crimpers 30 Minutes

Disc Harrows

- DH10/15 30 Minutes
- DH25 2 Hours
- DH35 5 Hours

Ditchers

- DT35 30 Minutes
- DT55 30 Minutes

Drag Harrows 15 Minutes

Drag Scrapers 30 Minutes

Flail Mowers 30 Minutes

Fertilizer Spreaders

- FSP 1 Hour
- PFS 30 Minutes
- PTS 40 Minutes

Field Cultivators

- FC10/15 30 Minutes

Grading Scrapers 30 Minutes

Grapples 30 Minutes

- CB 15 Minutes

Grooming Mowers 30 Minutes

Hitches

- QH15 Take out of cardboard box
..... (0 minutes)
- QH20/QH30 5 minutes

Hydraulic Reservoir Systems

- HRS18/23/30 15 Minutes

Landscape Rakes 30 Minutes

Moldboard Plows 1 Hour

Pallet Forks 10 Minutes

Pasture Aerators 15 Minutes

Post Hole Diggers 1 Hour

Powered Rakes 30 Minutes

Ripper Shanks 30 Minutes

Rotary Cutters

- RCR12/15/18 30 Minutes
- RCR26 1 Hour
- RCF20/26/27/36 30 Minutes
- RCD18 30 Minutes
- RCR2596/RCR2510 1 Hour 30 Minutes
- RCR3596/RCR3510 1 Hour 30 Minutes
- RC2512 40 Minutes
- RC3712/RC3715 2 Hours 30 Minutes
- RC3615/RC4015 2 Hours 30 Minutes
- RC4610 2 Hours
- RC4615 2 Hours 30 Minutes
- RC56/RC66 2 Hours 30 Minutes
- RC5014/RC5020 2 Hours 30 Minutes
- RC3614/RC3620 2 Hours 30 Minutes
- RCP2660/RCP3060 2 Hours

Rotary Tillers

- RGA/RGR12 30 Minutes
- RTR05/10/12/15 30 Minutes
- RTA10/12/15 30 Minutes
- RTA20/RTR20 30 Minutes
- RTA25/RTA35 30 Minutes
- RTR25 1 Hour

Scarifier 30 Minutes

Seed Bed Rollers 30 Minutes

Seeders

- APS15 30 Minutes
- Small Seed Box 1 Hour 30 Minutes
- FPS48 1 Hour
- PFS/PTS 30 Minutes
- FSP500/700/1000 2 Hours
- NTS25 3-Point No Set-up Needed
- NTS25 Pull-Type 1 Hour
- OS1548/72 2 Hours
- PS15 30 Minutes
- Small Seed Box 1 Hour 30 Minutes

Snow Blowers

- SB10/15/25 1 Hour

Soil Pulverizers 15 Minutes

Snow Pushers 30 Minutes

Snow Trip Blade

- STB10 30 Minutes
- STB15 45 Minutes

Spike Tooth Harrows

- STH15 15 Minutes to uncrate
- STH20 30 Minutes

Wood Chippers

- WC15 45 Minutes

* Does not include fit-up to Tractor or Skid Steer. Times based on being unfamiliar with set-up.

FDR16 Series Grooming Mowers

[RETURN TO INDEX](#)

15-40 HP



Made in USA
 Hitch: Cat. 1
 Lower Hitch: Floating
 Top Link: Floating
 Deck Thickness: 3/16"
 Gearbox: 540 rpm
 Cast Iron Housing, Beveled Gears
 Spring Loaded Idler
 Single B-Section Belt
 Gauge Wheels: 3 1/4" x 10" Solid Rubber
 Height Adjustment: 48: 3/4" - 3 1/4", 60/72: 3/4" - 5 1/4"
 1/2" Increment, Plated Spacers,
 1" Stress Proof® Caster Wheel Spindle
 Blade Spindle: 1 3/8", Cast Iron Greasable Hubs
 Blade Thickness: 1/4" Medium Lift - Hardened, Fusion® Edge
 Blade Overlap: 1 1/4"
 Blade Tip Speed: 16,203 - 18,130 fpm
 Driveline: Heavy Duty with Quick Coupler, Cat. 2
60" & 72" Fit Land Pride Quick-Hitch

Grooming Mower

MODEL NUMBER	DESCRIPTION	APPROX. MACHINE WEIGHT	SHIPPING WEIGHT	LIST PRICE
	48" FLAT DECK - REAR DISCHARGE			
FDR1648-13	4 Solid Rubber Tires	486#	545#	\$ 2,670
	60" FLAT DECK - REAR DISCHARGE			
FDR1660-13	4 Solid Rubber Tires	577#	642#	\$ 2,827
	72" FLAT DECK - REAR DISCHARGE			
FDR1672-13	4 Solid Rubber Tires	619#	700#	\$ 3,072

FDR16 ----- ADDITIONAL SAVINGS -----FDR16				
When 5 same color and width units are ordered at one time DEDUCT \$74 LIST ON EACH MOWER				
	ADD option No. -99 to Model Number and Deduct			\$ (74)

ADD OPTION NUMBER	COLOR OPTIONS (No Option=Buckskin)
-82	Orange - 5 Pak and Single Units Available

ACCESSORIES available through the Parts Department:				
315-516S	Front Roller Assembly - 4" x 5.5"	5#	5#	\$ 76
890-700C	Mulching Blades - 48" - 3 ea. required			\$ 34
890-702C	Mulching Blades - 60" - 3 ea. required			\$ 34
890-698C	Mulching Blades - 72" - 3 ea. required			\$ 34

FDR25 Series Grooming Mowers

[RETURN TO INDEX](#)

15-60 HP



Made in USA
 Hitch: Cat. 1
 Lower Hitch: Floating & Adjustable
 Clevis Type with Plated Pins
 Top Link: Floating & Adjustable
 Welded Tubular Chassis
 Deck Thickness: 3/16"
 Gearbox: 540 rpm
 Cast Iron Housing
 Beveled Gears
 Single B-Section Belt
 Spring Loaded Idler
 Gauge Wheels: 3 3/4" x 10" Solid Rubber Tires
 w/Bearings
 FDR2584: 4" x 11" Semi-Solid Tires
 Height Adjustment: 3/4"- 5 1/4" in 1/2" Increments
 Plated Spacers, 1" Stress Proof® Castered Wheel Spindle
 Blade Spindle: 1 3/8", Cast Iron Greaseable Hubs
 Blade Thickness: 1/4" (5/16" on 84")
 Medium Lift - Hardened
 Blade Overlap: 1 1/4"
 Blade Tip Speed (fpm);
 72: 18,130, 84: 17,210
 Heavy Duty Driveline with Quick Coupler
 Fits Land Pride Quick-Hitch

MODEL NUMBER	DESCRIPTION	APPROX. MACHINE WEIGHT	SHIPPING WEIGHT	LIST PRICE
	25 SERIES - REAR DISCHARGE - 72"			
FDR2572-13	4 Solid Rubber Tires	718#	781#	\$ 4,031
FDR2572-14	4 Solid Rubber Tires and Front Roller	726#	789#	\$ 4,163
	25 SERIES - REAR DISCHARGE - 84"			
FDR2584-13	4 Semi-Solid Tires & Bearings	812#	878#	\$ 4,662
FDR2584-14	4 Semi-Solid Tires with Bearings and Front Roller	820#	886#	\$ 4,792

ADD OPTION NUMBER	COLOR OPTION (No Option=Buckskin)
-82	Orange

ACCESSORIES Available through the Parts Department				
310-254S	Front Roller - 4" x 10" for 72 & 84	8#	8#	\$ 135
890-698C	Mulching Blades - 72" - 3 ea. required			\$ 34
890-706C	Mulching Blades - 84" - 3 ea. required			\$ 34

FDR36 Series Grooming Mowers

[RETURN TO INDEX](#)

30-70 HP



Made in USA
 Hitch: Cat. 1
 Lower Hitch: Floating Clevis with Plated Pins
 Top Link: Floating Clevis
 Gearbox: 540 rpm
 Cast Iron Housing
 Beveled Gears
 Deck Thickness: 3/16"
 Spring Loaded Idler
 Double V Powerband Belt
 Gauge Wheels: 5" x 13" Semi-Solid Tires w/bearings
 Height Adjustment: 1" - 6.5", 1/4" Increments, Plated Spacers
 1 1/4" Castered Wheel Spindle
 Blade Spindle: 1 3/8" Stress-Proof Shaft
 Deck Spindle Housing: Cast Iron Greasable Hubs
 Blades: 6 Free-Swinging, 1/4" Medium Lift, Hardened, 2 per Spindle
 Blade Overlap: 2"
 Blade Tip Speed: 16,500 fpm
 Driveline: Heavy Duty with Quick Coupler, Cat. 4
 Fits Land Pride Quick-Hitch

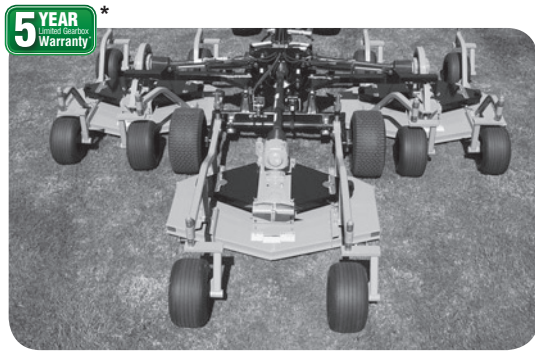
Grooming Mower

MODEL NUMBER	DESCRIPTION	APPROX. MACHINE WEIGHT	SHIPPING WEIGHT	LIST PRICE
	90" FLAT DECK - REAR DISCHARGE			
FDR3690-13	4 Semi-Solid Tires	925#	967#	\$ 6,347
FDR3690-14	4 Semi-Solid Tires and Front Roller (310-443A)	931#	973#	\$ 6,472
ADD OPTION				
NUMBER	COLOR OPTION (No Option=Buckskin)			
-82	Orange			
ACCESSORIES available through the Parts Department:				
310-444S	Front Roller Package for FDR3690 (4" x 10" Roller)	6#	6#	\$ 125
826-064C	Longer Driveline (may be required for Use with Land Pride Quick Hitch)	50#	50#	\$ 343

AFM42/45 Series All-Flex Mowers

RETURN TO INDEX

AFM4211: 30-65 HP • AFM4214/16: 40-70 HP • AFM45: 65-100 HP



5 YEAR
Limited Lifetime
Warranty*

Hitch: Pull Type, Adjustable Clevis Hitch & Safety Tow Chain
Tongue Screw Jack: 2200# Capacity
Discharge: Rear
Gearbox: 540 RPM, 3 Wing, 1 Splitter
Spring Loaded Idler with Overcenter Release
Automatic Transport Locks with Pull Rope Release
Deck Cylinders: Dual Acting
Hydraulic Outlets Required: 1 Set
Deck Flotation:
Individual Front to Rear and Side to Side
Input Driveline: Cat. 4 CV w/Slip-clutch
Wing Drivelines: Cat. 3
Blades - Fusion® edge

Model No.	AFM4211	AFM4214	AFM4216	AFM4522
Cutting Width	11'1"	14'	16'8"	21'9"
Overall Width	11'3 1/2"	14'3"	16'10"	22'
Transport Width	7'8"	6'8"	8'10"	9'6"
Transport Length	10'11"	12'11"	13'4"	15'2"
Decks: 3 each	48"	60"	72"	90"
Deck Thickness	3/16"	3/16"	3/16"	3/16"
Deck Overlap	6"	6"	8"	4-1/2"
Height Adjustment	1"-5 1/2" in 1/4" incr.	3/4" - 5 1/4" in 1/4" incr.	3/4" - 5 1/4" in 1/4" incr.	3/4" - 5 1/4" in 1/4" incr.
Blade Bearings	Sealed Ball Bearings	Sealed Ball Bearings	Sealed Ball Bearings	Sealed Ball Bearings
Blade Tip Speed	16,020 fpm	18,396 fpm	18,340 fpm	18,498 fpm
Blade Overlap	1 3/16"	1 1/4"	1 1/4"	2-1/4"
Drive Train	B-Section V Belt	B-Section V Belt	B-Section V Belt	1 C-Section
Input Driveline	Cat. 3 CV w/Slip-clutch	Cat. 4 CV w/Slip-clutch	Cat. 4 CV w/Slip-clutch	Cat. 4 CV
Deck Driveline	Cat. 3	Cat. 3	Cat. 3	Cat. 3 w/ Slip-clutch
Deck Tires - 10 ea., Air	13 x 5, Sealant	18 x 9.5, Sealant or 15 x 6.6	18 x 9.5, Sealant or 15 x 6.6	18 x 9.5, Sealant
Transport Tires	18 x 9.5, Sealant	23 x 10.5, Sealant	23 x 10.5, Sealant	P27560SR
Anti-Scalp Roller	Front Center and Outside Deck Corners	Front Center and Outside Deck Corners	Front Center and Outside Deck Corners	Front Center of Each Deck
Mowing Cap. @ 2 mph	2.68 acres	3.39 acres	4.0 acres	5.27 acres
@ 4 mph	5.37 acres	6.78 acres	8.1 acres	10.54 acres
@ 6 mph	8.10 acres	10.17 acres	12.1 acres	15.82 acres
Wing Flex - Degrees	23 L-R, 22 F-B	23 L-R, 22 F-B	23 L-R, 22 F-B	23 L-R, 22 F-B
Center Deck Flex - Degrees	13 F-B	10 L-R, 22 F-B	10 L-R, 22 F-B	10 L-R, 22 F-B

MODEL NUMBER	DESCRIPTION	MACHINE WEIGHT	SHIPPING WEIGHT	LIST PRICE
AFM4211-31	42 SERIES ALL-FLEX MOWER - 11'1" width	2425#	2425#	\$ 18,612
AFM4214-1531	42 SERIES ALL-FLEX MOWER - 14' width with 15" Deck Tires	2745#	2745#	\$ 19,591
AFM4216-1531	42 SERIES ALL-FLEX MOWER - 16'8" width with 15" Deck Tires	3285#	3285#	\$ 21,942
	Options for 14' and 16'			
-18	For 18" Deck tires - delete 15 and add -18	50#	50#	\$ 1,137
AFM4522*	45 SERIES ALL-FLEX MOWER - 21'9" width (assembly required)	4150#	4150#	\$ 33,204
	Mulching Kits Available through the Parts Department			
	FOR ALL AFMS			
ADD OPTION NUMBER				
-55	Hydraulic Wing Unlock (315-722A) (No extra hydraulic outlet required on AMF4211, AFM4214, AFM4216) (Extra hydraulic required on AFM4522)	6#	35#	\$ 492
	COLOR OPTIONS (No Option=Buckskin)			
-82	Orange			

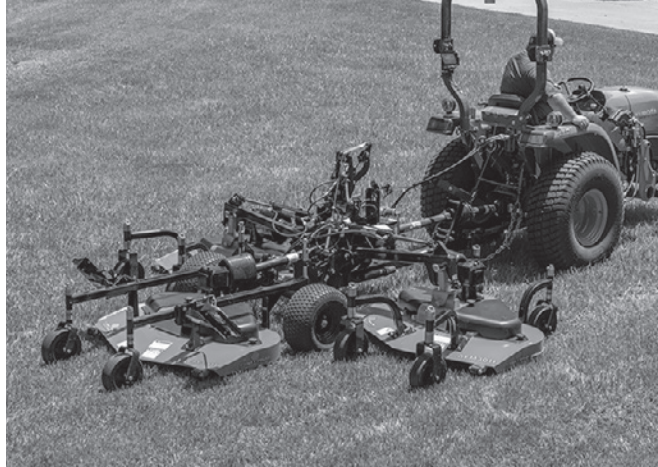
NOTE: Hydraulic Wing Unlock is Dealer installed option. Allow 2 hours for installation.

* 2 Year Gearbox Warranty

AFM3011 All-Flex Estate Mower

[RETURN TO INDEX](#)

30-55 HP



Hitch: Pull Type, Adjustable Clevis Hitch & Safety Tow Chain
 Cutting Width: 11'1"
 Overall Width: 11' 31-1/2"
 Transport Width: 7'8"
 Transport Length: 10'11"
 Decks: 3 each 48"
 Deck Thickness: 10 Gauge
 Deck Overlap: 6"
 Height Adjustment: Spacers, 1"-5-1/2" in 1/2" increments
 Blade Tip Speed: 16,020 fpm
 Blade Overlap: 13/16"
 Drive: B-Section V Belt
 Input Driveline: Cat. 3 Equal Angle
 Deck Driveline: Cat. 3 w/Shearbolt Protection
 Deck Tires: 10 ea., 10x3.25 Solid Rubber
 Transport Tires: 18 x 9.5
 Discharge: Rear
 Gearbox: 540 RPM, 3 Wing, 1 Splitter
 Spring Loaded Idler
 Automatic Transport Locks with Pull Rope Release
 or Optional Hydraulic Release
 Deck Cylinders: Dual Acting
 Hydraulic Outlets Required: 1 Set
 Blades - Fusion® edge

Grooming Mower

<u>MODEL NUMBER</u>	<u>DESCRIPTION</u>	<u>MACHINE WEIGHT</u>	<u>SHIPPING WEIGHT</u>	<u>LIST PRICE</u>
AFM3011	30 SERIES ALL-FLEX ESTATE MOWER - 11' width	1,848#	1,848#	\$ 14,966
	<u>You MAY Choose These Options</u>			
-55	Hydraulic Wing Unlock (315-722A) <i>(No extra hydraulic outlet required)</i>	6#	6#	\$ 492
	<u>Color Options (No Option=Buckskin)</u>			
-82	Orange			N/C
	<u>Accessories</u>			
315-799A	Hitch Assembly for B3350	16#	16#	\$ 100

FM25 Series Flail Mowers

RETURN TO INDEX

30-80 HP



Gearbox: 540 RPM, 80 HP
 Cutting Height: 0" - 6"
 Cutting Capacity:
 Duckfoot Knives: 1"
 Heavy-duty Y Knives: 1.5"
 Hammer Knives: 2"
 Deck Material Thickness: 10 Gauge
 Knives: Duckfoot, Y, Heavy Y, Hammer
 Knife Attachment: D-Ring for Light Blades;
 C-Clamp for Heavy Blades
 Brush Rake Teeth: 6, 8, 9, 11
 Rotor Diameter: 5"
 Rotor Shaft Speed: 2,450 RPM
 Rotor Bearings: Spherical Roller Bearing
 Rotor Rotation: Reverse
 Driveline: Cat. 4
 3 Strand Notched Powerband Belts
 Rear Roller Diameter: 5.56"
 Standard Replaceable Skid Shoes
 Standard Rear Roller Scraper
 Standard Chain Guard

Working Width (Overall Width): 48" (60"); 60" (72");
 72" (84"); 84" (96");
 Cat 1 Hitch 48" and 60"; Cat. 1 & 2 Hitch 72" and 84"
 Dual Hitch: Center, 8" Offset Right 48" and 60";
 Center, 10" Offset Right 72" and 84"

MODEL NUMBER	DESCRIPTION	APPROX. MACHINE WEIGHT	SHIPPING WEIGHT	LIST PRICE
FM2548-0182	25 SERIES FLAIL MOWER - 48" Cutting Width	995#	1028#	\$ 4,270
ADD				
OPTION NO.	YOU MUST CHOOSE A BLADE OPTION			
-11	Duckfoot Blade	161#	161#	\$ 1,087
-13	Heavy Y Blades	177#	177#	\$ 1,301
-14	Hammer Blades	182#	182#	\$ 834
YOU MAY CHOOSE A RAKE OPTION				
-21	Brush Rake Assembly	34#	34#	\$ 186
FM2560-0182	25 SERIES FLAIL MOWER - 60" Cutting Width	1178#	1211#	\$ 5,038
ADD				
OPTION NO.	YOU MUST CHOOSE A BLADE OPTION			
-11	Duckfoot Blade	191#	191#	\$ 1,301
-13	Heavy Y Blades	215#	215#	\$ 1,625
-14	Hammer Blades	222#	222#	\$ 1,043
YOU MAY CHOOSE A RAKE OPTION				
-21	Brush Rake Assembly	45#	45#	\$ 219
FM2572-0182	25 SERIES FLAIL MOWER - 72" Cutting Width	1300#	1333#	\$ 5,249
ADD				
OPTION NO.	YOU MUST CHOOSE A BLADE OPTION			
-11	Duckfoot Blade	221#	221#	\$ 1,472
-13	Heavy Y Blades	253#	253#	\$ 1,822
-14	Hammer Blades	261#	261#	\$ 1,218
YOU MAY CHOOSE A RAKE OPTION				
-21	Brush Rake Assembly	53#	53#	\$ 236
FM2584-0182	25 SERIES FLAIL MOWER - 84" Cutting Width	1433#	1466#	\$ 5,355
ADD				
OPTION NO.	YOU MUST CHOOSE A BLADE OPTION			
-11	Duckfoot Blade	250#	250#	\$ 1,741
-13	Heavy Y Blades	292#	292#	\$ 2,196
-14	Hammer Blades	301#	301#	\$ 1,477
YOU MAY CHOOSE A RAKE OPTION				
-21	Brush Rake Assembly	62#	62#	\$ 269

RCR12 Series - Utility Duty

[RETURN TO INDEX](#)

Cutters

42: 18-40 HP; 48/60: 20-60 HP;
72: 25-60 HP



Made in USA
Hitch: Cat. 1 & Cat. 1 Limited; Floating Clevis Type Top Link
All Welded Deck to Lower Band
Deck Height: 7¹/₄"
Deck Thickness: 12 Gauge
Gearbox Rating[^]: 60 HP
Gearbox: 540 RPM, Beveled Gears, Cast Iron Housing
Driveline: Cat. 3; Center Shear Bolt
or 2-Plate Slip-Clutch
Front and Rear Rubber Guards
3/4" Blade Holder Bar with Stump Jumper
Blades: 2 ea. (1¹/₂" x 3" Heat Treated)
Free Swinging Alloy Steel Suction Blades
Blade Bolt: Keyed with Hardened Flat Washer & Lock Nut
Blade Speed: 42: 11,417 fpm; 48:13,256 fpm;
60:16,536 fpm; 72:15,033 fpm
Tailwheel: 15" Laminated Tire with Cast Iron Hub
Cutting Height: 1¹/₄" - 10"
Skids: Weld-on
Fits Land Pride Quick-Hitch

*Bolt on Skid Shoes Available through Parts Dept. for 60" & 72"

MUST BE ORDERED IN MULTIPLES OF 6, SAME COLOR, SAME SIZE, SAME OPTIONS

MODEL NUMBER	DESCRIPTION	APPROX. MACHINE WEIGHT	SHIPPING WEIGHT	LIST PRICE
12 SERIES - 42" ROTARY CUTTER				
RCR1242 -11 -31 -96	Laminated Tailwheel, Shear Bolt	469#	494#	\$ 1,325
-11 -32 -96	Laminated Tailwheel, Slip-Clutch	484#	509#	\$ 1,553
12 SERIES - 48" ROTARY CUTTER				
RCR1248 -11 -31 -96	Laminated Tailwheel, Shear Bolt	436#	483#	\$ 1,453
-11 -32 -96	Laminated Tailwheel, Slip-Clutch	466#	498#	\$ 1,683
12 SERIES - 60" ROTARY CUTTER				
RCR1260 -11 -31 -96	Laminated Tailwheel, Shear Bolt	541#	533#	\$ 1,549
-11 -32 -96	Laminated Tailwheel, Slip-Clutch	569#	604#	\$ 1,779
12 SERIES - 72" ROTARY CUTTER				
RCR1272 -11 -31 -96	Laminated Tailwheel, Shear Bolt	624#	671#	\$ 2,075
-11 -32 -96	Laminated Tailwheel, Slip-Clutch	652#	689#	\$ 2,305

----- 2-PAK PRICING -----
ADD \$40 LIST ON EACH CUTTER. Each 2-Pak must be same color, same size, same options.
 For LTL Shipments, LTL Freight rates apply.
DELETE option No. -96 and ADD option No. -92 \$ 40

----- TRUCKLOAD SAVINGS -----
When Eight 6-Paks are ordered at one time, DEDUCT \$26 LIST ON EACH CUTTER.
Each 6-Pak must be same color, same size, same options.
DELETE option No. -96 and ADD option No. -98 \$ (26)

ADD OPTION NO.	COLOR OPTIONS (No Option=Buckskin)	
-82	Orange	
<u>AVAILABLE THROUGH PARTS DEPT. ONLY</u>		
326-120A	Replaceable Skid Shoes - for 60" & 72"	\$ 43

[^]Gearbox HP rating is based on in field use and performance

WARNING! Rotary Cutters used in non-agricultural areas must be equipped with front & rear guards. The possibility of thrown objects can be hazardous to persons or property.

RCR15 Series - Utility Duty

[RETURN TO INDEX](#)

20-60 HP



Made in USA
 Hitch: Cat. 1 & Cat. 1 Limited; 3-Point with Floating
 Clevis Type Top Link
 One Piece Reinforced Deck
 Deck Height: 7¹/₄"
 Deck Thickness: 12 Gauge
 Gearbox Rating[^]: 65 HP
 Gearbox: 540 RPM, Beveled Gears, Cast Iron Housing
 Driveline: Cat. 3; 1/2" Center Shear Bolt
 or 2-Plate Slip-Clutch
 Optional Front and Rear Rubber Guard
 Stump Jumper
 Blades: 2 ea. (1/2" x 3" Heat Treated)
 Free Swinging Alloy Steel Suction Blades
 Blade Bolt: Keyed with Hardened Flat Washer
 & Lock Nut
 Blade Speed: 11,459 fpm on 42"; 13,090 fpm on 48"
 Tailwheel: 4" x 16" Molded Rubber - 360 Degree Swivel
 Cutting Height: 1 3/4" - 11 1/2"
 Cutting Capacity: 2"
 Skids: Weld-on
 Fits Land Pride Quick-Hitch

MODEL NUMBER	DESCRIPTION	APPROX. MACHINE WEIGHT	SHIPPING WEIGHT	LIST PRICE
15 SERIES - 48" ROTARY CUTTER				
RCR1548	-01123142 Molded Rubber Tailwheel, Shear Bolt Driveline Front and Rear Rubber Guard	458#	548#	\$ 1,778
	For Laminated Tailwheel DELETE -12 from Model No. and ADD -11		41#	\$ (37)
	For Slip-Clutch Driveline DELETE -31 from Model No. and ADD -32		36#	\$ 168
TO DELETE GUARDING				
	Front Rubber Guard DELETE -01 from Model No. (312-672A)	10#	10#	\$ (53)
	Rear Rubber Guard DELETE -42 from Model No. (312-673A)	10#	10#	\$ (33)

ADDITIONAL SAVINGS
RCR 5-PAK STOCKING PROGRAM

When 5 same color, width and optioned units are ordered at one time - DEDUCT \$48 List on each cutter

Add option No. -99 to Model Number & Deduct \$ (48)

ADD OPTION NO. **COLOR OPTIONS (No Option=Buckskin)**
 -82 Orange - 5 Pak and Single units available

[^]Gearbox HP rating is based on in field use and performance

WARNING!

Rotary Cutters used in non-agricultural areas must be equipped with front & rear guards. The possibility of thrown objects can be hazardous to persons or property.

RCR18 Series - Utility Duty

RETURN TO INDEX

Cutters

20-65 HP



Side Skirt Thickness: 10 gauge
 Gearbox Rating^: 65 HP
 Gearbox: 540 RPM, Beveled Gears, Cast Iron Housing
 Driveline: Cat. 3; Center Shear Bolt
 or 2-Plate Slip-Clutch
 Front Rubber Optional
 Rear Rubber Optional
 Rear Metal Band Standard
 Blade Holder Bar with Stump Jumper
 Blades: 2 ea. (1/2" x 3" Heat Treated)
 Free Swinging Alloy Steel Suction Blades
 Blade Bolt: Keyed with Hardened Flat Washer &
 Lock Nut
 Blade Speed: 16,363 fpm on 60"; 14,853 fpm on 72"
 Tailwheel: 15" Laminated Tire with Cast Iron Hub
 or 4" x 16" Molded Rubber - 360 Degree Swivel
 Cutting Height: 60": 1 1/2" - 13"; 72: 1 1/2" - 11 1/2"
 Skids: Weld-on
 Fits Land Pride Quick-Hitch

Made in USA
 Hitch: Cat. 1; Floating Clevis Type Top Link
 and Clevis Type Lower Links
 All Welded Deck
 Deck Height: 60" - 7 1/2"; 72" - 9"
 Cutting Capacity: 2"
 Deck Thickness: 60" - 11 gauge; 72" - 10 gauge

*Bolt on Skid Shoes Available through Parts Dept.

MODEL NUMBER	DESCRIPTION	APPROX. MACHINE WEIGHT	SHIPPING WEIGHT	LIST PRICE
18 SERIES - 60" ROTARY CUTTER				
RCR1860	-11 -31 Laminated Tailwheel, Shear Bolt	538#	677#	\$ 1,952
	-11 -32 Laminated Tailwheel, Slip-Clutch	579#	636#	\$ 2,124
	-12 -31 Molded Rubber Tailwheel, Shear Bolt	580#	678#	\$ 1,989
Choose a Front Guard				
ADD -01	Front Rubber Guard (312-844A)	6#	6#	\$ 54
ADD -02	Front Chain Guard (312-845A)	24#	24#	\$ 155
Choose a Rear Guard (Metal Band Standard)				
ADD -42	Rear Rubber Guard (312-652A)	23#	23#	\$ 56
ADD -41	Rear Chain Guard (312-834A)	28#	28#	\$ 169
18 SERIES - 72" ROTARY CUTTER				
RCR1872	-11 -31 Laminated Tailwheel, Shear Bolt	707#	825#	\$ 2,496
	-11 -32 Laminated Tailwheel, Slip-Clutch	718#	836#	\$ 2,666
	-12 -31 Molded Rubber Tailwheel, Shear Bolt	708#	826#	\$ 2,533
Choose a Front Guard				
ADD -01	Front Rubber Guard (312-846A)	8#	8#	\$ 61
ADD -02	Front Chain Guard (312-847A)	39#	39#	\$ 184
Choose a Rear Guard (Metal Band Standard)				
ADD -42	Rear Rubber Guard (312-651A)	23#	23#	\$ 62
ADD -41	Rear Chain Guard (312-842A)	38#	38#	\$ 202

ADDITIONAL SAVINGS
RCR 5-PAK STOCKING PROGRAM

When 5 same color, width and optioned units are ordered at one time - DEDUCT \$50 List on each cutter
 Add option No. -99 to Model Number & Deduct \$ (50)

ADD OPTION NO. **COLOR OPTIONS (No Option=Buckskin)**
 -82 Orange - 5 Pak and Single units available

WARNING!

Rotary Cutters used in non-agricultural areas must be equipped with front & rear guards. The possibility of thrown objects can be hazardous to persons or property.

^Gearbox HP rating is based on in field use and performance

RCR18 Series - Utility Duty

RETURN TO INDEX

45-90 HP



Made in USA
 Hitch: Cat. 1 and 2; Floating Clevis Type Top Link and Clevis Type Lower Links
 All Welded Deck
 Deck Height: 9¹/₈"
 Deck Thickness: 10 gauge
 Cutting Capacity: 2"
 Gearbox Rating[^]: 130 HP
 Gearbox: 540 RPM, Beveled Gears, Cast Iron Housing
 Driveline: Cat. 4; 2-Plate Slip-Clutch
 Front Rubber or Chain Guard
 Rear Chain Guard Optional
 Rear Metal Band Standard
 Blade Holder Bar with Stump Jumper
 Blades: 2 ea. (1/2" x 4" Heat Treated)
 Free Swinging Alloy Steel Suction Blades
 Blade Bolt: Keyed with Hardened Flat Washer & Lock Nut
 Blade Speed: 17,100 fpm
 Tailwheel: 15" Laminated Tire with Cast Iron Hub
 Cutting Height: 2"-11"
 Skids: Weld-on
 Fits Land Pride Quick-Hitch

MODEL NUMBER	DESCRIPTION	APPROX. MACHINE WEIGHT	SHIPPING WEIGHT	LIST PRICE
RCR1884	18 SERIES - 84" ROTARY CUTTER	827#	907#	\$ 3,525
ADD OPTION NO.	Choose Front Guarding			
-01	Front Rubber Guard (312-866A)	25#	25#	\$ 94
-02	Front Chain Guard (312-869A)	46#	46#	\$ 195
	Choose One Tailwheel Package			
-16	Single Laminated Tailwheel	108#	108#	\$ 383
-17	Dual Laminated Tailwheel	240#	240#	\$ 814
	Choose Rear Guarding			
-41	Rear Chain Guard (312-872A)	80#	80#	\$ 214
ADD OPTION NO.	COLOR OPTIONS (No Option=Buckskin)			
-81	Green			
-82	Orange			
-83	Red			

[^]Gearbox HP rating is based on in field use and performance

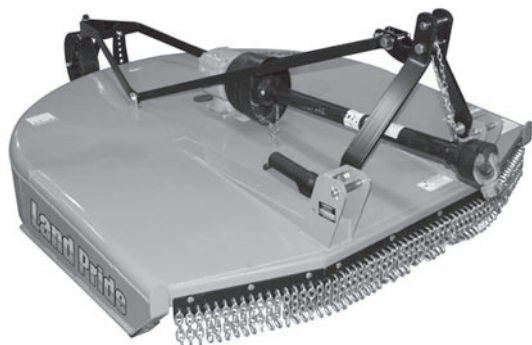
WARNING! Rotary Cutters used in non-agricultural areas must be equipped with front & rear guards. The possibility of thrown objects can be hazardous to persons or property.

RETURN TO INDEX

RCF20 Series - Utility Duty - Smooth Top

Cutters

20-65 HP



Deck Thickness: 10 gauge
 Side Skirt: 10 Gauge
 Gearbox Rating[^]: 65 HP
 Gearbox: 540 RPM, Beveled Gears
 Cast Iron Housing
 Driveline: Cat. 3; Shear Bolt
 or 2-Plate Slip-Clutch
 Optional Front Guard: Rubber or Chain
 Standard Rear Metal Banding
 Optional Rear Guard: Rubber or Chain
 Blade Holder Bar with Stump Jumper
 Blades: 2 ea. (1/2" x 3" Heat Treated)
 Free Swinging High-Lift, Low Friction Blades
 Blade Bolt: Keyed with Hardened Flat Washer & Lock Nut
 Blade Speed: 16,363 fpm on 60"; 14,955 fpm on 72"
 Tailwheel: Single or Dual, 4" x 15" Laminated Tire
 or 4" x 16" Molded Rubber - 360 Degree Swivel
 Skids: Weld-on
 Fits Land Pride Quick-Hitch

Made in USA
 Hitch: Cat. 1; Floating Top Link
 Quick-Hitch Adaptable
 All Welded Deck
 Deck Height: 60" - 9^{11/16}"; 72" - 11"
 Cutting Capacity: 2"
 Cutting Height: 1 1/2" - 12"

*Bolt on Skid Shoes Available through Parts Dept.

MODEL NUMBER	DESCRIPTION	APPROX. MACHINE WEIGHT	SHIPPING WEIGHT	LIST PRICE
RCF2060	20 SERIES - 60" ROTARY CUTTER			
-11 -31	Laminated Tailwheel, Shear Bolt	598#	696#	\$ 2,132
-11 -32	Laminated Tailwheel, Slip-Clutch	607#	705#	\$ 2,304
-12 -31	Molded Rubber Tailwheel, Shear Bolt	599#	697#	\$ 2,169
	Choose a Front Guard			
ADD -01	Front Rubber Guard (312-844A)	6#	6#	\$ 54
ADD -02	Front Chain Guard (312-845A)	24#	24#	\$ 155
	Choose a Rear Guard			
ADD -42	Rear Rubber Guard (312-652A)	23#	23#	\$ 56
ADD -41	Rear Chain Guard (312-834A)	28#	28#	\$ 169
RCF2072	20 SERIES - 72" ROTARY CUTTER			
-11 -31	Laminated Tailwheel, Shear Bolt	715#	833#	\$ 2,675
-11 -32	Laminated Tailwheel, Slip-Clutch	726#	844#	\$ 2,845
-12 -31	Molded Rubber Tailwheel, Shear Bolt	716#	834#	\$ 2,712
	Choose a Front Guard			
ADD -01	Front Rubber Guard (312-846A)	8#	8#	\$ 61
ADD -02	Front Chain Guard (312-847A)	39#	39#	\$ 184
	Choose a Rear Guard			
ADD -42	Rear Rubber Guard (312-651A)	23#	23#	\$ 62
ADD -41	Rear Chain Guard (312-842A)	36#	36#	\$ 202

ADDITIONAL SAVINGS
___ RCR 5-PAK STOCKING PROGRAM ___

When 5 same color, width and optioned units are ordered at one time - DEDUCT \$50 List on each cutter
 Add option No. -99 to Model Number & Deduct \$ (50)

ADD OPTION NO.	COLOR OPTIONS (No Option=Buckskin)	
-82	Orange - 5 Pak and Single units available	
	Available Through Parts Dept. Only	
326-120A	Bolt-on Skid Shoes - 60" & 72"	\$ 43

WARNING! Rotary Cutters used in non-agricultural areas must be equipped with front & rear guards. The possibility of thrown objects can be hazardous to persons or property.

[^]Gearbox HP rating is based on in field use and performance

RCF20 Series - Utility Duty - Smooth Top

[RETURN TO INDEX](#)

45-90 HP



Made in USA
 Hitch: Cat. 1 and 2; Floating Top Link
 Clevis Type Lower Links, Quick-Hitch Adaptable
 Cutting Height: 1¹/₂"-12"
 All Welded Deck
 Deck Height: 11¹⁵/₁₆"
 Deck Thickness: 10 gauge
 Side Skirt: 10 Gauge
 Cutting Capacity: 2"
 Gearbox Rating[^]: 130 HP
 Gearbox: 540 RPM, Beveled Gears, Cast Iron Housing
 Driveline: Cat. 4; 2-Plate Slip-Clutch
 Optional Front Guard: Rubber or Chain
 Optional Rear Chain Guard
 Standard Rear Metal Band
 Blade Holder Bar with Stump Jumper
 Blades: 2 ea. (1¹/₂" x 4" Heat Treated)
 Free Swinging Alloy Steel Suction Blades
 Blade Bolt: Keyed with Hardened Flat Washer & Lock Nut
 Blade Speed: 17,113 fpm
 Tailwheel: 4" x 15" Laminated Tire w/Cast Iron Hub - 360 Degree Swivel
 Skids: Weld-on
 Fits Land Pride Quick-Hitch

*Bolt on Skid Shoes Available through Parts Dept.

MODEL NUMBER	DESCRIPTION	APPROX. MACHINE WEIGHT	SHIPPING WEIGHT	LIST PRICE
RCF2084	20 SERIES - 84" ROTARY CUTTER	915#	1000#	\$ 3,704
ADD OPTION NO.	Choose Front Guarding			
-01	Front Rubber Guard	25#	25#	\$ 94
-02	Front Chain Guard	46#	46#	\$ 195
	Choose One Tailwheel Package			
-16	Single Laminated Tailwheel	108#	108#	\$ 383
-17	Dual Laminated Tailwheel	240#	240#	\$ 814
	Choose Rear Guarding			
-41	Rear Chain Guard	62#	62#	\$ 214
ADD OPTION NO.	COLOR OPTIONS (No Option=Buckskin)			
-81	Green			
-82	Orange			
-83	Red			
	Available Through Parts Dept. Only			
326-120A	Bolt-on Skid Shoes - 84"			\$ 43

WARNING! Rotary Cutters used in non-agricultural areas must be equipped with front & rear guards. The possibility of thrown objects can be hazardous to persons or property.

[^]Gearbox HP rating is based on in field use and performance

RCR26 Series - Medium Duty

[RETURN TO INDEX](#)

Cutters

60/72: 35-130 HP • 84: 60-130 HP



Gearbox Rating[^]: 130 HP
 Gearbox: 540 RPM, 1³/₈" - 6 Spline
 Gearbox Output Shaft: 2"
 Driveline: Cat. 4 with
 4 Plate Slip-Clutch
 Stump Jumper: 60" - 3¹/₁₆" x 24" Round
 72" - 3¹/₁₆" x 30¹/₂" Round
 84" - 3¹/₁₆" x 24" x 38" Oval
 Blades: Free Swinging High Suction
 60" - 1¹/₂" x 4" x 25"
 72" - 1¹/₂" x 4" x 29"
 84" - 1¹/₂" x 4" x 31"
 Blade Bolt: Keyed with Hardened
 Flat Washer & Lock Nut
 Blade Tip Speed:
 60" - 12,384 fpm
 72" - 14,861 fpm
 84" - 14,369 fpm
 Tailwheel(s): 15" Laminated, with Cast
 Iron Hub, Tapered Roller Bearings
 Cutting Height: 2" - 12"
 Cutting Capacity: 3"
 Skids: Replaceable
 Front and Rear Guards Available

Hitch: 60" & 72" Cat. 1 or 2 (QH Adaptable)
 84": Cat. 2 Std. (QH Adaptable) or Cat. 3 Adaptable
 All Welded Deck
 Deck Height:
 60" & 72" is 9"
 84" is 9¹/₈"
 Deck Thickness: 10 Gauge
 Side Panels: 1/4"

MODEL NUMBER	DESCRIPTION	APPROX. MACHINE WEIGHT	SHIPPING WEIGHT	LIST PRICE
RCR2660	26 SERIES - 60" ROTARY CUTTER Choose Front and Rear Guarding	878#	958#	\$ 3,188
ADD -01	Front Chain Guard (312-781A)	35#	35#	\$ 222
ADD -02	Front Rubber Guard (312-782A)	30#	30#	\$ 163
ADD -41	Rear Chain Guard (326-929A)	66#	66#	\$ 262
RCR2672	26 SERIES - 72" ROTARY CUTTER Choose Front and Rear Guarding	934#	1014#	\$ 3,645
ADD -01	Front Chain Guard (312-793A)	46#	46#	\$ 260
ADD -02	Front Rubber Guard (312-794A)	40#	40#	\$ 178
ADD -41	Rear Chain Guard (326-930A)	73#	73#	\$ 301
RCR2684	26 SERIES - 84" ROTARY CUTTER Choose Front and Rear Guarding	1324#	1404#	\$ 4,265
ADD -01	Front Chain Guards (312-869A)	46#	46#	\$ 295
ADD -41	Rear Chain Guards (326-931A)	62#	62#	\$ 323
You Must Choose One for RCR2684				
ADD -11	3 Point with Single 15" Laminated Tire	262#	262#	\$ 955
ADD -14	3 Point with Dual 15" Laminated Tires	500#	500#	\$ 1,285
ADD OPTION NO.	COLOR OPTION (No Option=Buckskin)			
-81	Green (84" only)			
-82	Orange			
-83	Red (84" only)			

[^]Gearbox HP rating is based on in field use and performance

WARNING!
 Rotary Cutters used in non-agricultural areas must be equipped with front & rear guards. The possibility of thrown objects can be hazardous to persons or property.

RCF27 Series - Medium Duty

RETURN TO INDEX

60/72: 35-130 HP • 84: 60-130 HP



Hitch: 60" & 72" Cat. 1* or 2 (QH Adaptable)
84": Cat. 2 Std. or Cat. 3 QH Adaptable or Pull-Type
All Welded Deck
Deck Height:
60" & 72" is 11¹/₄"
84" is 10¹/₈"
Deck Thickness: 10 Gauge
Side Panels: 1/4"

Gearbox Rating[^]: 130 HP
Gearbox: 540 RPM, 1³/₈" - 6 Spline
Gearbox Output Shaft: 2"
Driveline: Cat. 4 with 4 Plate Slip-Clutch
Stump Jumper: 60" - 3/16" x 24" Round
72" - 3/16" x 30¹/₂" Round
84" - 3/16" x 24" x 38" Oval
Blades: Free Swinging High Suction
60" - 1/2" x 4" x 25"
72" - 1/2" x 4" x 29"
84" - 1/2" x 4" x 31"
Blade Bolt: Keyed with Hardened
Flat Washer & Lock Nut
Blade Tip Speed:
60" - 12,384 fpm
72" - 14,861 fpm
84" - 14,369 fpm
Tailwheel(s): 15" Laminated, with Cast
Iron Hub, Tapered Roller Bearings
Cutting Height: 1¹/₂" - 12"
Cutting Capacity: 3"
Skids: Replaceable
Front and Rear Guards Available

MODEL NUMBER	DESCRIPTION	APPROX. MACHINE WEIGHT	SHIPPING WEIGHT	LIST PRICE
RCF2760	27 SERIES - 60" ROTARY CUTTER	864#	944#	\$ 3,315
	Choose Front and Rear Guarding			
-01	Front Chain Guard (326-302A)	39#	39#	\$ 222
-02	Front Rubber Guard (326-303A)	24#	24#	\$ 163
-41	Rear Chain Guard (326-929A)	66#	66#	\$ 262
RCF2772	27 SERIES - 72" ROTARY CUTTER	967#	1047#	\$ 3,775
	Choose Front and Rear Guarding			
-01	Front Chain Guard (326-306A)	45#	45#	\$ 260
-02	Front Rubber Guard (326-307A)	28#	28#	\$ 178
-41	Rear Chain Guard (326-930A)	73#	73#	\$ 301
RCF2784	27 SERIES - 84" ROTARY CUTTER	989#	1069#	\$ 4,265
	Choose Front Guarding			
-01	Front Chain Guards (312-869A)	46#	46#	\$ 295
-02	Front Rubber Guard (312-866A)	25#	25#	\$ 194
	You Must Choose One for RCF2784			
-11	3 Point with Single 15" Laminated Tire	262#	262#	\$ 955
-14	3 Point with Dual 15" Laminated Tires	500#	500#	\$ 1,285
-12	Pull-Type with 21" Laminated Tires	335#	335#	\$ 2,635
	You Must Choose One for Pull-Type RCF2784			
-21	Ratchet Height Adjustment	15#	15#	\$ 232
-22	Hydraulic Type Adjustment	40#	40#	\$ 448
	Choose Rear Guarding			
-41	Rear Chain Guards (326-931A)	62#	62#	\$ 323
	COLOR OPTION (No Option=Buckskin)			
-81	Green (84" only)			
-82	Orange			
-83	Red (84" only)			
	Available Through Parts Dept. Only			
326-607A	*Requires Top 3 Pt Cat 2/Cat 1 Conversion Kit			

[^]Gearbox HP rating is based on in field use and performance

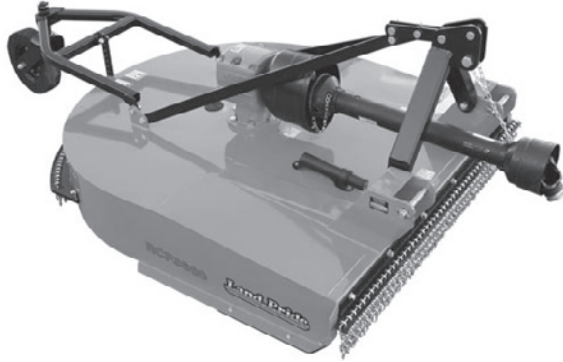
WARNING! Rotary Cutters used in non-agricultural areas must be equipped with front & rear guards. The possibility of thrown objects can be hazardous to persons or property.

RCF36 Series - Heavy Duty

[RETURN TO INDEX](#)

Cutters

60-190 HP



Deck Thickness: 3/16"
 Side Panels: 1/4"
 Gearbox Rating^: 210 HP
 Gearbox: 540 RPM, 1 3/4" - 20 Spline
 Gearbox Output Shaft: 2 3/8"
 Driveline: Cat. 5 with 4 Plate Slip-Clutch
 Stump Jumper: 3/16"
 Blades: Free Swinging High Lift, 1/2" x 4" x 29"
 Blade Bolt: Keyed with Hardened Flat Washer & Lock Nut
 Blade Tip Speed: 14,861 fpm
 Tailwheel(s): 15" Laminated, with Cast Iron Hub, Tapered Roller Bearings, 21" on Pull-Type
 Cutting Height: 2" - 12"
 Cutting Capacity: 4"
 Skids: Replaceable
 Front and Rear Chain Guards Available

Hitch: Cat. 1* or 2 (QH Adaptable)
 All Welded Deck
 Deck Height: 13 3/8"

MODEL NUMBER	DESCRIPTION	APPROX. MACHINE WEIGHT	SHIPPING WEIGHT	LIST PRICE
RCF3672	36 SERIES - 72" ROTARY CUTTER	1238#	1318#	\$ 5,400
	Choose Front Guarding			
-01	Front Chain Guard (326-200A)	55#	55#	\$ 260
-02	Front Rubber Guard (326-256A)	23#	23#	\$ 178
-03	Front Double Chain Guard (326-257A)	75#	75#	\$ 350
	Choose Rear Guarding			
-41	Rear Chain Guard (326-317A)	44#	44#	\$ 374
-43	Rear Double Chain Guard (326-319A)	64#	64#	\$ 475
-45	Rear Band Guard (326-270A)	35#	35#	\$ N/C
	You Must Choose One			
-90	Standard Blade Carrier - 72"	166#	166#	N/C
-91	Shredder Kit	170#	170#	\$ 688
ADD OPTION NO.	COLOR OPTION (No Option=Buckskin)			
-82	Orange			
	Available Through Parts Dept. Only			
326-607A	*Requires Top 3 Pt Cat 2/Cat 1 Conversion Kit			

[^]Gearbox HP rating is based on in field use and performance

WARNING!

Rotary Cutters used in non-agricultural areas must be equipped with front & rear guards. The possibility of thrown objects can be hazardous to persons or property.

RCF36 Series - Heavy Duty

RETURN TO INDEX

84 Lift: 70-190 HP • Pull: 50-190 HP



Hitch: Cat. 2 or Cat. 3 (QH Adaptable)
 All Welded Deck
 Deck Height: 13³/₈"
 Deck Thickness: 3/16"
 Side Panels: 1/4"
 Gearbox Rating: 225 HP
 Gearbox: 540 RPM, 1³/₄" - 20 Spline
 Gearbox Output Shaft: 2³/₈"
 Driveline: Cat. 5 with 4 Plate Slip-Clutch
 Stump Jumper: 3/16"
 Blades: Free Swinging High Lift
 1/2" x 4" x 29"
 Blade Bolt: Keyed with Hardened
 Flat Washer & Lock Nut
 Blade Tip Speed: 14,369 fpm
 Tailwheel(s): 15" Laminated, with Cast Iron Hub,
 Tapered Roller Bearings, 21" on Pull-Type
 Cutting Height: 2" - 12"
 Cutting Capacity: 4"
 Skids: Replaceable
 Front and Rear Chain Guards Available

MODEL NUMBER	DESCRIPTION	APPROX. MACHINE WEIGHT	SHIPPING WEIGHT	LIST PRICE
RCF3684	36 SERIES - 84" ROTARY CUTTER	1369#	1449#	\$ 5,076
	Choose Front Guarding			
-01	Front Chain Guards (326-661A)	64#	64#	\$ 295
-02	Front Rubber Guard (326-258A)	26#	26#	\$ 194
-03	Front Double Chain Guards (326-662A)	94#	94#	\$ 717
	You Must Choose One			
*-12	Pull-Type with Dual 21" Laminated Tires	565#	565#	\$ 2,635
-14	3 Point with Dual 15" Laminated Tires	501#	501#	\$ 2,264
	You Must Choose One for 3-Point			
-21	Ratchet Height Adjustment	15#	15#	\$ 232
-23	Hydraulic Height Adjustment	40#	40#	\$ 427
	You Must Choose One for Pull-Type			
-21	Ratchet Height Adjustment	15#	15#	\$ 232
-22	Hydraulic Type Adjustment	40#	40#	\$ 481
	You Must Choose Rear Guarding			
-41	Rear Chain Guard (326-184A)	66#	66#	\$ 477
-43	Rear Double Chain Guards (326-264A)	83#	83#	\$ 697
-45	Rear Band Guard (326-271A)	40#	40#	\$ N/C
	You Must Choose One			
-90	Standard Blade Carrier - 84"	220#	220#	N/C
-91	Shredder Kit	200#	200#	\$ 688
ADD OPTION NO.	COLOR OPTION (No Option=Buckskin)			
-81	Green			
-82	Orange			
-83	Red			

*Gearbox HP rating is based on in field use and performance

WARNING! Rotary Cutters used in non-agricultural areas must be equipped with front & rear guards. The possibility of thrown objects can be hazardous to persons or property.

RCD18 Series - Utility Duty - Dual Spindle Offset

[RETURN TO INDEX](#)

35-60 HP



Made in USA
 Hitch: Cat. 1 QH with Clevis Type Lower Links
 10" Offset
 All Welded Deck
 Deck Height: 11⁵/₈"
 Deck Thickness: 10 Gauge
 Cutting Capacity: 1¹/₂"
 Gearbox Rating[^]: 90 HP Main, 45 HP Side
 Gearbox: 540 RPM, Beveled Gears
 Cast Iron Housing
 Driveline: Cat. 3 with 2-Plate Slip-Clutch
 Safety Guards: Front-Rubber or Chain;
 Rear-Metal Band
 Blade Holder: Bar with Stump Jumper
 Blades: 2 ea. (1¹/₂" x 4" Heat Treated)
 Free Swinging Alloy Steel Suction Blades
 Blade Bolt: Keyed with Hardened Flat Washer &
 Lock Nut
 Blade Speed: 11,693 fpm
 Tailwheels: 15" Laminated Tire or
 4" x 16" Molded Rubber
 Cutting Height: 2"-12"
 Skids: Weld-on
 Additional Skids: Bolt-on
 Fits Land Pride Quick-Hitch

Cutters

MODEL NUMBER	DESCRIPTION	APPROX. MACHINE WEIGHT	SHIPPING WEIGHT	LIST PRICE
Choose One Tailwheel Package				
RCD1884-11	18 SERIES - 84" ROTARY CUTTER with Dual Laminated Tailwheels	985#	1065#	\$ 4,784
RCD1884-12	18 SERIES - 84" ROTARY CUTTER with Dual Solid Tailwheels	990#	1070#	\$ 4,949
ADD OPTION				
You MUST Choose One Front Guard Option				
-01	Single Front Chain Guard (326-449A)	48#	48#	\$ 144
-02	Front Rubber Guard (326-342A)	23#	23#	\$ 90
Options				
-45	Extended Rear Band (326-458A)	35#	35#	\$ 100
You May Choose a Color Option (No Option=Buckskin)				
-82	Orange			

[^]Gearbox HP rating is based on in field use and performance

WARNING!

Rotary Cutters used in non-agricultural areas must be equipped with front & rear guards. The possibility of thrown objects can be hazardous to persons or property.

RCR25 Series - 8' Medium Duty

RETURN TO INDEX

Pull-Type: 40-110 HP • Lift Type: 50-110 HP



Cutting Width: 94"
Overall Width: 8¹³/₄"
Cutting Height: 2" - 12"
Cutting Capacity: 1¹/₂"
Lift-Type: Cat. 1 and 2
Quick Hitch Adaptable
Pull-Type: Self-Leveling,
w/ Dual-Leveling Rods
Tongue Jack on Pull-Type

Deck Height: 9⁵/₈"
Deck Thickness: 10 Gauge
Side Skirt Thickness: 1/4"
Gearbox Rating^: Outboard - 60 HP
T-Box - 100 HP
Gearbox: 540 rpm
Beveled Gears
Cast Iron Housing
Gearbox Input Shaft: 1³/₄" - 20 Spline
Output Shaft Diameter: 2"
Driveline: Cat. 4
Equal Angle Shaft on Pull-Type
Slip Protection: 4 Plate Slip-Clutch
Rubber Flex Coupler to Wing Boxes
Blade Holder: 2 ea., 3/16" Stump Jumper
Blades: 2 per Blade Holder; 1/2" x 4" Heat Treated
Free Swinging Suction Blades
Blade Tip Speed: 540 rpm 14,492 fpm
Tailwheel: Lift-Type, 2 ea. 4" x 8" x 15¹/₄"
Castered Laminated Tires
Pull Type: 6" x 9" x 21" Laminated Tires, or
24" Used Aircraft Tires
Tapered Roller Bearings & Cast Iron Hub
Replaceable Skids
Optional Front Chain Guard or Rubber Guard
Optional Rear Chain Guard or Rubber Guard
Spring Shock Absorber on Axle of Pull Type

MODEL NUMBER	DESCRIPTION	APPROX. MACHINE WEIGHT	SHIPPING WEIGHT	LIST PRICE
RCR2596	25 SERIES - 8' ROTARY CUTTER - 540 rpm	1068#	1068#	\$ 4,818
ADD OPTION				
NUMBER	Choose One Front Guard			
-01	Front Chain Guard (312-775A)	62#	62#	\$ 218
-02	Front Rubber Guard (312-774A)	50#	50#	\$ 195
Choose One Hitch Feature				
-11	3 Point Lift-Type w/Laminated Tires and Slip-Clutch Driveline	170#	170#	\$ 940
-12	Pull-Type with Equal Angle Driveline	265#	265#	\$ 1,512
Choose One Tire Feature - Pull-Type Only				
-21	21" Laminated Tires - Set of 2	150#	150#	\$ 283
-24	Used Airplane Tires - Set of 2	150#	150#	\$ 380
Choose One Rear Guard				
-41	Rear Chain Guard (312-616A)	30#	30#	\$ 128
-42	Rear Rubber Guard (312-618A)	32#	32#	\$ 116
Pull-Type - Choose One Height Adjustment				
-51	Ratchet Jack	15#	15#	\$ 127
-52	Hydraulic Cylinder and Hoses	40#	40#	\$ 454
You May Choose a Color Option (No Option=Buckskin)				
-81	Green			
-82	Orange			
-83	Red			

^Gearbox HP rating is based on in field use and performance

WARNING!

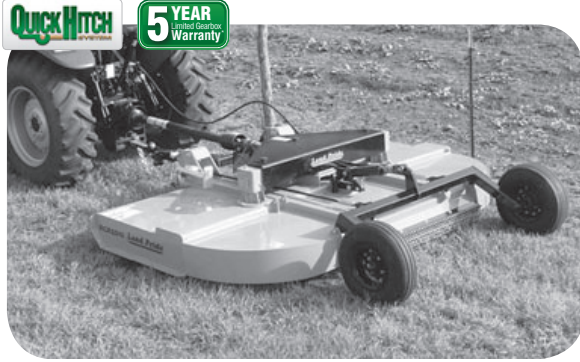
Rotary Cutters used in non-agricultural areas must be equipped with front & rear guards. The possibility of thrown objects can be hazardous to persons or property.

RCR25 Series - 10' Medium Duty

[RETURN TO INDEX](#)

Cutters

Pull-Type: 50-110 HP • Lift-Type: 60-110 HP



Cutting Width: 9'10"
 Overall Width: 10'3 1/2"
 Cutting Height: 2" - 10 1/2"
 Cutting Capacity: 1 1/2"
 Lift-Type: Cat. 2 and 3
 Quick Hitch Adaptable
 Pull-Type: Self-Leveling w/Dual Leveling Rods
 Tongue Jack on Pull-Type
 Deck Height: 9 5/8"
 Deck Thickness: 10 Gauge
 Side Skirt Thickness: 1/4"

Gearbox Rating^: Outboard-60 HP; T-Box-100 HP
 Gearbox: 540 rpm
 Beveled Gears
 Cast Iron Housing
 Gearbox Input Shaft: 1 3/4" - 20 Spline
 Output Shaft Diameter: 2"
 Driveline: Cat. 4
 Constant Velocity U-Joint or
 Equal Angle Shaft on Pull-Type
 Slip Protection: 4 Plate Slip-Clutch
 Blade Holder: 2 ea., 3/16" Stump Jumper
 Blades: 2 per Blade Holder; 1/2" x 4" Heat Treated
 Free Swinging Suction Blades
 Blade Tip Speed: 17,749 fpm
 Tailwheel: Lift-Type, 2 ea. 4" x 8" x 15 1/4"
 Castered Laminated Tires
 Pull Type: 2 ea. 6" x 9" x 21" Laminated Tires,
 or 5" x 15" Rims or
 7.75" x 15" x 24" Used Aircraft Tires
 Tapered Roller Bearings & Cast Iron Hub
 Replaceable Skids
 Optional Front Chain Guard or Rubber Guard
 Optional Rear Chain Guard or Rubber Guard
 Spring Shock Absorber on Axle of Pull Type

MODEL NUMBER	DESCRIPTION	APPROX. MACHINE WEIGHT	SHIPPING WEIGHT	LIST PRICE
RCR2510	25 SERIES - 10' ROTARY CUTTER - 540 rpm	1400#	1400#	\$ 6,864
ADD				
OPTION NO.	Choose One Front Guard			
-01	Front Chain Guard (312-751A)	84#	84#	\$ 287
-02	Front Rubber Guard (312-752A)	70#	70#	\$ 261
Choose One Hitch Feature				
-11	3 Point w/Laminated Tires and Driveline	175#	175#	\$ 1,008
-12	Pull-Type	210#	210#	\$ 953
Choose One Tire Feature - Pull Type Only				
-21	21" Laminated Tires-Set of 2	150#	150#	\$ 283
-24	Used Aircraft Tires-Set of 2	150#	150#	\$ 380
Pull-Type - Choose One Input Driveline Feature				
-31	540 RPM with Equal Angle Driveline	60#	60#	\$ 977
-32	540 RPM with Constant Velocity Driveline	60#	60#	\$ 1,210
Choose One Rear Guard				
-41	Rear Chain Guard (312-503A)	29#	29#	\$ 155
-42	Rear Rubber Guard (312-505A)	40#	40#	\$ 139
Pull-Type - Choose One Height Adjustment				
-51	Ratchet Jack	15#	15#	\$ 127
-52	Hydraulic Cylinder and Hoses	40#	40#	\$ 454
You May Choose a Color Option (No Option=Buckskin)				
-81	Green			
-82	Orange			
-83	Red			

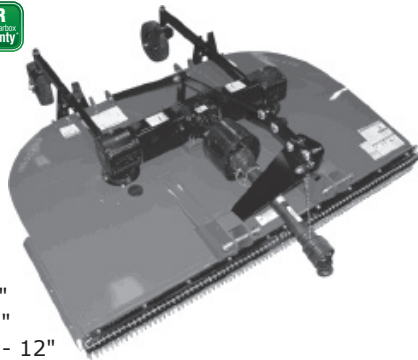
[^]Gearbox HP rating is based on in field use and performance

WARNING!
 Rotary Cutters used in non-agricultural areas must be equipped with front & rear guards. The possibility of thrown objects can be hazardous to persons or property.

RCF30 Series - 8' Medium Duty

RETURN TO INDEX

Semi-Mount & Pull-Type: 40-110 HP • Lift Type: 50-110 HP



Cutting Width: 96"
Overall Width: 8'7"
Cutting Height: 2" - 12"
Cutting Capacity: 2 1/2"
Lift-Type & Semi-Mount: Cat. 1 and 2, Quick Hitch Adaptable
Pull-Type: Self-Leveling, w/ Dual-Leveling Rods
Tongue Jack on Pull-Type
Deck Height: 11 1/4"

Deck Thickness: 10 Gauge
Side Skirt Thickness: 1/4"
Gearbox Rating^: Outboard - 130 HP, T-Box - 210 HP
Gearbox: 540 rpm
Beveled Gears, Cast Iron Housing
Gearbox Input Shaft: 1 3/4" - 20 Spline
Output Shaft Diameter: 2"
Driveline: Cat. 4
Equal Angle Driveline on Pull-Type
Slip Protection: 4 Plate Slip-Clutch
Rubber Flex Coupler to Outboard Boxes
Blade Holder: 2 ea., 3/16" Stump Jumper
Blades: 2 per Blade Holder; 1/2" x 4" Heat Treated
Free Swinging Suction Blades
Blade Tip Speed: 540 rpm 16,360 fpm
Tailwheels: See selections below
Tapered Roller Bearings & Cast Iron Hub
Replaceable Skids
Spring Shock Absorber on Pull-Type & Semi-Mount Axle

MODEL NUMBER	DESCRIPTION	APPROX. MACHINE WEIGHT	SHIPPING WEIGHT	LIST PRICE
RCF3096	30 SERIES - 8' ROTARY CUTTER - 540 rpm	1200#	1200#	\$ 4,752
ADD OPTION				
NUMBER Choose One Front Guard				
-01	Front Single Chain Guard (326-582A)	70#	70#	\$ 286
-02	Front Rubber Guard (326-573A)	26#	26#	\$ 207
-03	Front Double Chain Guard (326-583A)	99#	99#	\$ 376
Choose One Hitch Feature				
-11	3-Point, 15" Laminated Tires w/Dual Beam Axles	350#	350#	\$ 1,880
-12	Pull-Type with Single Spindle HD Toolbar Axle (choose hitch below)	560#	560#	\$ 2,186
-13	Semi-Mount, HD Toolbar Axle w/two 21" Laminated	524#	524#	\$ 2,544
-14	Pull-type with Dual Spindle HD Toolbar Axle (choose hitch below)	586#	586#	\$ 2,307
-16	Semi-Mount, HD Toolbar Axle w/two 15" Laminated	420#	420#	\$ 2,083
-17	3-Point, HD Toolbar Axle w/two 15" Laminated	420#	420#	\$ 2,255
-18	3-Point, HD Toolbar Axle w/two 21" Laminated	524#	524#	\$ 3,411
Choose One Tire Feature - Pull-Type Only				
-20	21" Laminated Tires - Set of 2	139#	139#	\$ 312
-21	29" Used Aircraft Tires - Set of 2	150#	150#	\$ 456
-24	25.5" New Foam Filled Tires - Set of 2	192#	192#	\$ 768
-25	21" Laminated Tires - Set of 4	278#	278#	\$ 624
-27	29" Used Aircraft Tires - Set of 4	300#	300#	\$ 919
-28	25.5" New Foam Filled Tires - Set of 4	384#	384#	\$ 1,532
Choose One Driveline Feature - Pull-Type Only				
-31	Equal Angle Driveline - 540 rpm	75#	75#	\$ 838
-32	Constant Velocity Driveline - 540 rpm	75#	75#	\$ 1,444
Choose One Rear Guard				
-41	Rear Single Chain Guard (326-535A)	28#	28#	\$ 153
-42	Rear Rubber Guard (327-130A)	11#	11#	\$ 139
-43	Rear Double Chain Guard (326-536A)	40#	40#	\$ 381
Choose One Height Adjustment - Not Needed with Option 11				
-51	Ratchet Jack	20#	20#	\$ 127
-52	Hydraulic Cylinder and Hoses - Pull-Type or Semi-Mount Only	40#	40#	\$ 472
-53	Hydraulic Cylinder and Hoses - 3-Point	37#	37#	\$ 472
Choose a Hitch Option - Pull-Type Only				
-71	Swivel Clevis	23#	23#	\$ N/C
-75	Performance Hitch* - Self Leveling, Up and Down and Side to Side Swivel	60#	60#	\$ 278
You May Choose a Color Option (No Option=Buckskin)				
-81	Green			
-82	Orange			
-83	Red			

^Gearbox HP rating is based on in field use and performance

*If used on Kubota L Series tractor, must order Option -31 Equal Angle Driveline

RCF(M)30 Series - 10' Medium Duty

[RETURN TO INDEX](#)

Cutters

Semi-Mount & Pull-Type: 50-110 HP • Lift-Type: 60-110 HP



Cutting Width: 10'
 Overall Width: 10' 6 1/2"
 Cutting Height: 2" - 12"
 Cutting Capacity: 2 1/2"
 Lift-Type & Semi-Mount: Cat. 2 and 3,
 Quick Hitch Adaptable
 Pull-Type: Self-Leveling
 w/Dual Leveling Rods
 Tongue Jack on Pull-Type
 Deck Height: 11 1/2"
 Deck Thickness: 10 Gauge
 Side Skirt Thickness: 1/4"
 Gearbox Rating^: Outboard-130 HP; T-Box - 210 HP
 Gearbox: 540 rpm or 1,000 rpm
 Beveled Gears
 Cast Iron Housing

Gearbox Input Shaft: 1 3/4" - 20 Spline
 Output Shaft Diameter: 2"
 Driveline: Cat. 4
 Constant Velocity U-Joint or
 Equal Angle Shaft on Pull-Type
 Slip Protection: 540 rpm: 4 Plate Slip-Clutch
 1000 rpm: 2 Plate Slip-Clutch
 Rubber Flex Coupler to Outboard Boxes
 Blade Holder: 2 ea., 3/16" Stump Jumper
 Blades: 2 per Blade Holder; 1/2" x 4" Heat Treated
 Free Swinging Suction Blades
 Blade Tip Speed: 540 rpm - 17,100 fpm
 1000 rpm - 17,300 fpm
 Tailwheels: See selections below
 Tapered Roller Bearings & Cast Iron Hub
 Replaceable Skids
 Spring Shock Absorber on Pull-Type & Semi-Mount Axle

MODEL NUMBER	DESCRIPTION	APPROX. MACHINE WT	SHIPPING WEIGHT	LIST PRICE
RCF3010	30 SERIES - 10' ROTARY CUTTER - 540 rpm	1587#	1587#	\$ 6,372
RCFM3010	30 SERIES - 10' ROTARY CUTTER - 1000 rpm	1587#	1587#	\$ 6,372
ADD				
OPTION NO.	Choose One Front Guard			
-01	Front Single Chain Guard (327-090A)	87#	87#	\$ 318
-02	Front Rubber Guard (327-096A)	31#	31#	\$ 254
-03	Front Double Chain Guard (327-093A)	124#	124#	\$ 423
Choose One for 3-Point or Semi-Mount, and Tires				
-11	3 Point w/15" Laminated Tires and Driveline	416#	416#	\$ 1,944
-13	Semi-Mount w/21" Laminated Tires	504#	504#	\$ 2,544
-15	3 Point w/21" Laminated Tires	604#	604#	\$ 2,485
-16	Semi-Mount w/15" Laminated Tires	402#	402#	\$ 1,753
Choose One for Pull Type, and Tires (must choose hitch below)				
-12-20	21" Laminated Tires - Set of 2	544#	544#	\$ 2,019
-12-21	29" Used Aircraft Tires - Set of 2	555#	555#	\$ 2,163
-12-24	25.5" New Foam Filled Tires - Set of 2	597#	597#	\$ 2,475
-14-25	21" Laminated Tires - Set of 4	708#	708#	\$ 2,648
-14-27	29" Used Aircraft Tires - Set of 4	730#	730#	\$ 2,943
-14-28	25.5" New Foam Filled Aircraft Tires - Set of 4	814#	814#	\$ 3,556
Pull-Type - Choose One Input Driveline Feature				
-31	Pull-Type with Equal Angle Driveline	167#	167#	\$ 977
-32	Pull-Type with Constant Velocity Driveline	160#	160#	\$ 1,444
Choose One Rear Guard				
-41	Rear Single Chain Guard (326-462A)	35#	35#	\$ 178
-42	Rear Rubber Guard (326-525A)	7#	7#	\$ 162
-43	Rear Double Chain Guard (326-463A)	50#	50#	\$ 381
Choose One Height Adjustment				
-51	Ratchet Jack - Pull-type, Semi-Mount, 3-Point	20#	20#	\$ 127
-52	Hydraulic Cylinder and Hoses - Pull-Type, Semi-Mount	40#	40#	\$ 472
-53	Hydraulic Lift - 3 Point only	37#	37#	\$ 472
Choose a Hitch Option - Pull-Type Only				
-71	Swivel Clevis	23#	23#	\$ N/C
-75	Performance Hitch* - Self Leveling, Up and Down and Side to Side Swivel	60#	60#	\$ 278
You May Choose a Color Option (No Option=Buckskin)				
-81	Green			
-82	Orange			
-83	Red			

^Gearbox HP rating is based on in field use and performance
 *If used on Kubota L Series tractor, must order Option -31 Equal Angle Driveline

WARNING!
 Rotary Cutters used in non-agricultural areas must be equipped with front & rear guards. The possibility of thrown objects can be hazardous to persons or property.

RCF(M)36 Series - 8' Heavy Duty

RETURN TO INDEX

Semi-Mount: 40-130 HP • Pull-Type: 50-130 HP • Lift Type: 50-130 HP



Cutting Width: 8'
Overall Width: 8' 7"
Cutting Height: 2" - 12"
Cutting Capacity: 3"
Lift-Type, Semi-Mount: Cat. 1 & 2, Quick Hitch Adaptable
Pull-Type: Self-Leveling w/ Dual-Leveling Rods
Tongue Jack on Pull-Type
Deck Height: 13"
Deck Thickness: 10 Gauge; Side Skirt Thickness: 1/4"
Gearbox Rating^: Outboard - 210 HP; T-Box - 210 HP
Gearbox: 540 rpm or 1,000 rpm
Beveled Gears, Cast Iron Housing

Gearbox Input Shaft: 1 3/4" - 20 Spline
Output Shaft Diameter: 2 3/8"
Driveline: Cat. 4; Equal Angle Shaft on Pull-Type
Slip Protection: 540 rpm: 4 Plate Slip-Clutch
1000 rpm: 2 Plate Slip-Clutch
Rubber Flex Coupler to Wing Boxes
Blade Holder: 2 ea., 3/16" Stump Jumper
Blades: 2 per Blade Holder; 1/2" x 4" Heat Treated
Free Swinging Suction Blades
Blade Tip Speed: 540 rpm - 17,100 fpm
1000 rpm - 17,375 fpm
Tailwheels: See selections below
Tapered Roller Bearings & Cast Iron Hub
Replaceable Skids
Spring Shock Absorber on Pull-Type & Semi-Mount Axle

MODEL NUMBER	DESCRIPTION	APPROX. MACHINE WT	SHIPPING WEIGHT	LIST PRICE
RCF3696	36 SERIES - 8' ROTARY CUTTER - 540 rpm	1393#	1393#	\$ 5,794
RCFM3696	36 SERIES - 8' ROTARY CUTTER - 1000 rpm	1393#	1393#	\$ 5,794
ADD OPTION NUMBER	Choose One Front Guard			
-01	Front Single Chain Guard (326-541A)	72#	72#	\$ 286
-02	Front Rubber Guard (326-543A)	32#	32#	\$ 207
-03	Front Double Chain Guard (326-542A)	100#	100#	\$ 376
	Choose One Hitch Feature			
-11	3-Point, 15" Laminated with Dual Beam Axles, includes Driveline	346#	346#	\$ 1,851
-12	Pull-Type with Single Spindle HD Toolbar Axle (choose hitch below)	560#	560#	\$ 2,053
-13	Semi-Mount, HD Toolbar Axle w/two 21" Laminated, includes Driveline	524#	524#	\$ 2,544
-14	Pull-Type with Dual Spindle HD Toolbar Axle (choose hitch below)	578#	578#	\$ 2,186
-16	Semi-Mount, HD Toolbar Axle w/two 15" Laminated, includes Driveline	420#	420#	\$ 2,083
-17	3-Point, HD Toolbar Axle w/two 15" Laminated, includes Driveline	420#	420#	\$ 2,302
-18	3-Point, HD Toolbar Axle w/two 21" Laminated, includes Driveline	524#	524#	\$ 3,458
	Choose One Tire Feature - Pull-Type Only			
-20	21" Laminated Tires - Set of 2	139#	139#	\$ 312
-21	29" Used Aircraft Tires - Set of 2	150#	150#	\$ 456
-24	25.5" New Foam Filled Tires - Set of 2	192#	192#	\$ 768
-25	21" Laminated Tires - Set of 4	278#	278#	\$ 624
-27	29" Used Aircraft Tires - Set of 4	300#	300#	\$ 919
-28	25.5" New Foam Filled Tires - Set of 4	384#	384#	\$ 1,532
	Choose One Driveline Feature - Pull-Type Only			
-31	Equal Angle Driveline - 540 or 1000 rpm	75#	75#	\$ 838
-32	Constant Velocity Driveline - 540 or 1000 rpm	75#	75#	\$ 1,532
	Choose One Rear Guard			
-41	Rear Single Chain Guard (326-535A)	28#	28#	\$ 153
-42	Rear Rubber Guard (326-545A)	5#	5#	\$ 139
-43	Rear Double Chain Guard (326-536A)	40#	40#	\$ 381
	Choose One Height Adjustment- Not Needed with Option 11			
-51	Ratchet Jack	20#	20#	\$ 127
-52	Hydraulic Cylinder and Hoses - Pull-Type or Semi-Mount Only	40#	40#	\$ 472
-53	Hydraulic Cylinder and Hoses - 3-Point, HD Tool Bar Axle	37#	37#	\$ 472
	Choose a Hitch Option - Pull-Type Only			
-71	Swivel Hitch	23#	23#	\$ N/C
-75	Performance Hitch* - Self Leveling, Up and Down and Side to Side Swivel	60#	60#	\$ 278
	You May Choose a Color Option (No Option=Buckskin)			
-81	Green			
-82	Orange			
-83	Red			

^Gearbox HP rating is based on in field use and performance

*If used on Kubota L Series tractor, must order Option -31 Equal Angle Driveline

RCF(M)36 Series - 10' Heavy Duty

RETURN TO INDEX

Cutters

Semi-Mount & Pull-Type: 50-130 HP • Lift-Type: 60-130 HP



Cutting Width: 10'
Overall Width: 10' 6 1/2"
Cutting Height: 2" - 12"
Cutting Capacity: 3"
Lift-Type, Semi-Mount: Cat. 2 and 3
Quick Hitch Adaptable
Pull-Type - Self-Leveling w/ Dual-Leveling Rods
Tongue Jack on Pull-Type
Deck Height: 13"
Deck Thickness: 10 Gauge
Side Skirt Thickness: 1/4"
Gearbox Rating^: Outboard-210 HP; T-Box - 210 HP
Gearbox: 540 rpm or 1,000 rpm
Beveled Gears, Cast Iron Housing

Gearbox Input Shaft: 1 3/4" - 20 Spline
Output Shaft Diameter: 2 3/8"
Driveline: Cat. 4 Constant Velocity U-Joint
or Equal Angle Shaft on Pull-Type
Slip Protection: 540 rpm: 4 Plate Slip-Clutch
1000 rpm: 2 Plate Slip-Clutch
Rubber Flex Coupler to Outboard Boxes
Blade Holder: 2 ea., 3/16" Stump Jumper
Blades: 2 per Blade Holder; 1/2" x 4" Heat Treated
Free Swinging Suction Blades
Blade Tip Speed: 540 rpm - 17,150 fpm
1000 rpm - 17,425 fpm
Tailwheels: See selections below
Tapered Roller Bearings & Cast Iron Hub
Replaceable Skids
Spring Shock Absorber on Pull-Type & Semi-Mount Axle

MODEL NUMBER	DESCRIPTION	APPROX. MACHINE WT	SHIPPING WEIGHT	LIST PRICE
RCF3610	36 SERIES - 10' ROTARY CUTTER - 540 rpm	1669#	1669#	\$ 8,095
RCFM3610	36 SERIES - 10' ROTARY CUTTER - 1000 rpm	1669#	1669#	\$ 8,095
ADD_				
OPTION NO.	Choose One Front Guard			
-01	Front Single Chain Guard (326-437A)	89#	89#	\$ 318
-02	Front Rubber Guard (326-524A)	39#	39#	\$ 254
-03	Front Double Chain Guard (326-440A)	125#	125#	\$ 423
Choose One For 3-Point or Semi-Mount				
-11	3-Point w/15" Laminated Tires and Driveline	497#	497#	\$ 2,255
-13	Semi-Mount Hitch w/21" Laminated Tires and Driveline	539#	539#	\$ 2,834
-15	3-Point w/21" Laminated Tires and Driveline	601#	601#	\$ 3,065
-16	Semi-Mount w/15" Laminated Tires and Driveline	436#	436#	\$ 2,083
Choose One For Pull-Type (must choose hitch below)				
-12-31	Pull-Type w/ Equal Angle Input Driveline - Single wheel axle	605#	605#	\$ 3,030
-12-32	Pull-Type w/ Constant Velocity Input Driveline - Single wheel axle	653#	653#	\$ 3,429
-14-31	Pull-Type w/ Equal Angle Input Driveline - Dual wheel axle	633#	633#	\$ 3,174
-14-32	Pull-Type w/ Constant Velocity Input Driveline - Dual wheel axle	681#	681#	\$ 3,573
Choose One Tire Feature - Pull-Type Only				
-20	21" Laminated Tires - Set of 2	139#	139#	\$ 312
-21	29" Used Aircraft Tires - Set of 2	150#	150#	\$ 456
-24	24" Foam Filled Used Aircraft Tires - Set of 2	192#	192#	\$ 768
-25	21" Laminated Tires - Set of 4	278#	278#	\$ 624
-27	29" Used Aircraft Tires - Set of 4	300#	300#	\$ 919
-28	24" Foam Filled Used Aircraft Tires - Set of 4	384#	384#	\$ 1,532
Choose One Rear Guard				
-41	Rear Single Chain Guard (326-462A)	35#	35#	\$ 178
-42	Rear Rubber Guard (326-525A)	7#	7#	\$ 162
-43	Rear Double Chain Guard (326-463A)	50#	50#	\$ 381
Choose One Height Adjustment				
-51	Ratchet Jack- Pull-Type, Semi-Mount, 3-Point	20#	20#	\$ 127
-52	Hydraulic Cylinder and Hoses-Pull-type, Semi-Mount	40#	40#	\$ 472
-53	Hydraulic Cylinder and Hoses - 3-Point only	37#	37#	\$ 472
Choose a Hitch Option - Pull-Type Only				
-71	Swivel Hitch	23#	23#	\$ N/C
-75	Performance Hitch* - Self Leveling, Up and Down and Side to Side Swivel	60#	60#	\$ 278
You May Choose a Color Option (No Option=Buckskin)				
-81	Green			
-82	Orange			
-83	Red			

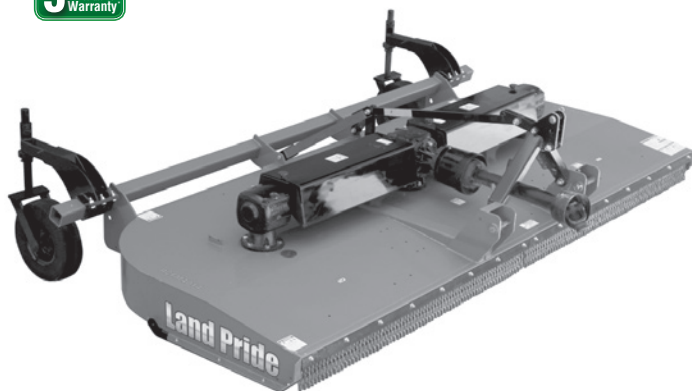
^Gearbox HP rating is based on in field use and performance

*If used on Kubota L Series tractor, must order Option -31 Equal Angle Driveline

RCFM40 Series - 14' Extra Heavy Duty

RETURN TO INDEX

80-250 HP



Cutting Width: 14' 0"
Overall Width: 14' 6 1/2"
Overall Length: 10' 1/2"
Hitch: 3-Point Cat. 2 & 3
Cutting Height: 2" - 12"
Cutting Capacity: 3"
Deck Height: 12"
Deck Thickness: 10 Gauge
Side Skirt Thickness: 1/4"

Gearbox Rating^: T-Box 250 HP; Outboard Boxes 210 HP
Gearbox: 1000 rpm, Input Shaft: 1 3/4" 20 Spline
Gearbox Output Shaft: 1 3/4" 20 Spline
Height Adjustment: 12 Position Adjustable Collar
Input Driveline: 1 3/8" or 1 3/4" Cat. 5, Splined; 1000 RPM, 4-plate Slip Clutch
Connecting Driveline Option: Cat. 4 with Spring Loaded Flex Coupler
Blades Options:
Dish Pan: 1/2" x 4" Heat Treated Free-Swinging Suction Blades
w/3/16" Round Stump Jumper
Shredder Kit, 30" Rows: Double Stacked Shredder Blades w/ Fixed Knives & Baffles
Shredder Kit, 38" & 40" Rows: Double Stacked Shredder Blades w/Fixed Knives & Baffles
Shredder Kit, NO Fixed Blades: Double Stacked Shredder Blades with Baffles, Works on any Row Width
Blade Bolt: Keyed with Hardened Flatwasher & Lock Nut
Blade Overlap: 3"
Blade Speed: 15,000 fpm
Tire Options: 2 or 3, 6" x 9" x 21" Laminated Tires, Tapered Roller Bearings & Cast Iron Hubs
Skid Shoes: Replaceable and Reversible
Optional Front Shielding: Single Chain or Rubber Guard
Optional Rear Shielding: Single Chain, Rubber, or Metal Guard
Standard Light Kit - 6 pin hook-up connector, front-facing amber lights; rear-facing amber & red lights

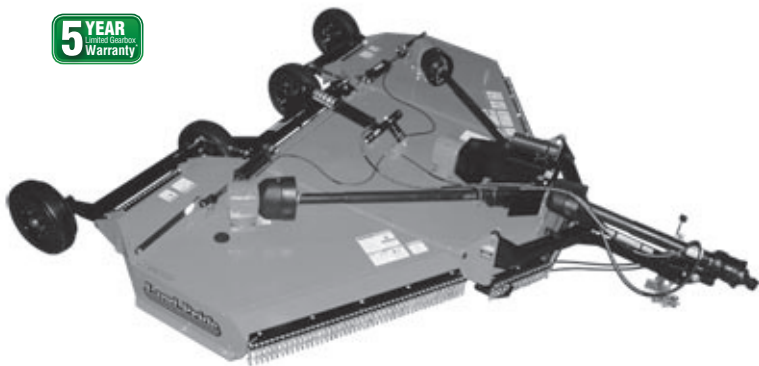
MODEL NUMBER	DESCRIPTION	APPROX. MACHINE WEIGHT	SHIPPING WEIGHT	LIST PRICE
RCFM4014	40 SERIES - 14' 3-POINT 3-SPINDLE ROTARY CUTTER	3095#	3095#	\$ 9,567
ADD				
OPTION NO.	You MUST Choose a FRONT GUARD			
-01	Front Chain Guard (326-698A)	125#	125#	\$ 287
-02	Front Rubber Guard (326-696A)	90#	90#	\$ 180
You MUST Choose a TAILWHEEL				
-12	2 Laminated Tailwheels	416#	416#	\$ 1,785
-13	3 Laminated Tailwheels	632#	632#	\$ 2,674
You MUST Choose a BLADE OPTION				
-21	Dish Pans	275#	275#	\$ 1,350
-22	Shredder Kit, Fixed Blades, Baffles, 30" Row	396#	396#	\$ 2,307
-23	Shredder Kit, Fixed Blades, Baffles, 38" and 40" Row	400#	400#	\$ 2,307
-24	Shredder Kit, NO Fixed Blades, Baffles	340#	340#	\$ 1,896
You MUST Choose a DRIVELINE				
-31	1 3/8", 1000 RPM 21 Spline	68#	68#	\$ 659
-32	1 3/4", 1000 RPM 20 Spline	68#	68#	\$ 659
You MAY Choose a REAR GUARD				
-41	Rear Chain Guard (326-693A)	89#	89#	\$ 282
-42	Rear Rubber Guard (326-692A)	50#	50#	\$ 129
-45	Rear Metal Band (326-691A)	42#	42#	\$ 141
Color Options (No Option=Buckskin)				
-81	Green			
-82	Orange			
-83	Red			

^Gearbox HP rating is based on in field use and performance

RC2512 - 12' Medium Duty Smooth Top

[RETURN TO INDEX](#)

40-100 HP



Cutters

Working Width: 12'
 Transport Width: 7'11"
 Overall Width: 12'7"
 Overall Length: 13'3"
 Hitch: Pull-Type, Self-Leveling Hitch & Clevis
 Hitch Weight: 793 lbs.
 Tongue Jack
 Cutting Height: 1 1/2" - 12"
 Cutting Capacity: 1 1/2"
 Deck Height: 11"
 Deck Thickness: 10 Gauge

Side Skirt Thickness: 3/16 Plate
 Gearbox Rating^: 160 HP Divider; 100 HP Center & Wings
 Gearbox: 540 rpm
 Gearbox Input Shaft: 1 3/8" 6 Spline
 Gearbox Output Shaft: 1 1/2"
 Input Driveline: Constant Velocity U-Joint, Cat. 4
 Connecting Driveline: Cat. 3 Slip-Clutch
 Stump-Jumper: 10 Gauge, Round, Dish Shaped
 Blades: 2 per Section, 1/2" x 3" Heat Treated
 Free Swinging Alloy Steel with Uplift
 Blade Bolt: Keyed with Hardened Flatwasher
 & Lock Nut
 Blade Overlap: 6"
 Blade Speed: Center: 16,500 fpm, Wings: 16,000 fpm
 Wheels: 4
 20.5" x 6.75" Used Aircraft Tires or
 6" x 9" x 21" Laminated Tires
 Tapered Roller Bearings & Cast Iron 5-Bolt Hubs
 with 1 3/4" Shaft
 Wing Transport Locks
 Wing Hydraulics: 2" x 8" Cylinder, Hoses & Fittings
 Height Adjustments: 2 1/2" x 8" Cylinder, Hose, Fittings
 & Stroke Control Spacers
 Skid Shoes: Wings & Center, Replaceable
 Front and Rear Chain Shielding
 Blade Rotation: L-CCW, C-CCW, R-CW
 Lights Standard

MODEL NUMBER	DESCRIPTION	APPROX. MACHINE WEIGHT	SHIPPING WEIGHT	LIST PRICE
RC2512-20	12' ROTARY CUTTER - 540 rpm Front and Rear Chain Guards 4 ea. Aircraft Tires Constant Velocity Input Driveline	2575#	2575#	\$ 14,280
RC2512-21	12' ROTARY CUTTER - 540 rpm Front and Rear Chain Guards 4 ea. Laminated Tires Constant Velocity Input Driveline	2618#	2618#	\$ 14,280
<u>YOU MUST CHOOSE A HITCH</u>				
-71	Swivel Clevis	23#	23#	\$ 0
-75	Performance Hitch - Self Leveling, Up and Down and Side to Side Swivel	60#	60#	\$ 278
*** (Option 75 is NOT compatible with Kubota L/Grand L Tractors)***				
<u>ADD OPTION NO. COLOR OPTIONS (No Option=Buckskin)</u>				
-81	Green			
-82	Orange			
-83	Red			
<u>ACCESSORY AVAILABLE THROUGH THE PARTS DEPARTMENT</u>				
330-760K	Hydraulic Kit for raising wings independently of the cutting height cylinder Requires 2 sets of hydraulic outlets			\$ 82

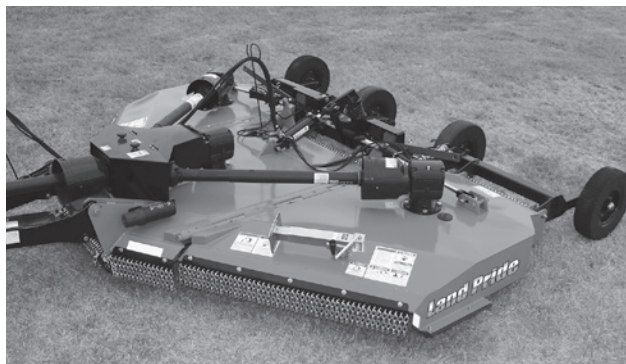
^Gearbox HP rating is based on in field use and performance

WARNING!
 Rotary Cutters used in non-agricultural areas must be equipped with front & rear guards. The possibility of thrown objects can be hazardous to persons or property.

RC3712 - 12' Heavy Duty Smooth Top

[RETURN TO INDEX](#)

50-160 HP



Working Width: 12'
 Transport Width: 9'4"
 Overall Width: 12'10"
 Overall Length: 15'3"
 Hitch: Pull-Type, Self-Leveling Hitch & Clevis
 Hitch Weight: 1,370 lbs.
 Tongue Jack
 Cutting Height: 1 $\frac{1}{2}$ " - 14"*
 Cutting Capacity: 3"
 Deck Height: 11"
 Deck Thickness: 10 Gauge

Side Skirt Thickness: 1/4"
 Gearbox Rating[^]: 160 HP Divider; 130 HP Center & Wings
 Gearbox: 540 rpm or 1000 rpm
 Gearbox Input Shaft: 1 $\frac{3}{4}$ " 20 Spline
 Gearbox Output Shaft: 2"
 Input Driveline: Constant Velocity U-Joint, Cat. 6
 Connecting Driveline: Cat. 4
 Stump-Jumper: 3/16", Round
 Blades: 2 per Section, 1/2" x 4" Heat Treated
 Free Swinging Alloy Steel with Uplift
 Blade Bolt: Keyed with Hardened Flatwasher
 & Lock Nut
 Blade Overlap: 6"
 Blade Speed
 540: Center: 15,514 fpm, Wings: 15,474 fpm
 1000: Center: 15,700 fpm, Wings: 15,707 fpm
 Wheels: 4 or 6
 25.5" x 6.75" Aircraft Tires, Pneumatic or Foam Filled,
 or 21" or 26" Laminated Tires
 Tapered Roller Bearings & Cast Iron 5-Bolt Hubs
 with 1 $\frac{3}{4}$ " Shaft
 Wing Transport Locks
 Wing Hydraulics: 2 $\frac{1}{2}$ " x 12" Cylinder, Hoses & Fittings
 Height Adjustments: 3" x 8"
 Skid Shoes: Wings & Center, Replaceable
 Front and Rear Single or Double Chain Shielding
 Blade Rotation: L-CW, C-CCW, R-CCW
 Lights Standard

SEE NEXT PAGE FOR PRICING.

*Varies by Tire Option

See pg. 31 for pricing and color options

See pg. 69 for available hitches

[^]Gearbox HP rating is based on in field use and performance**WARNING!**

Rotary Cutters used in non-agricultural areas must be equipped with front & rear guards. The possibility of thrown objects can be hazardous to persons or property.

RC3712 - 12' Heavy Duty Smooth Top

RETURN TO INDEX

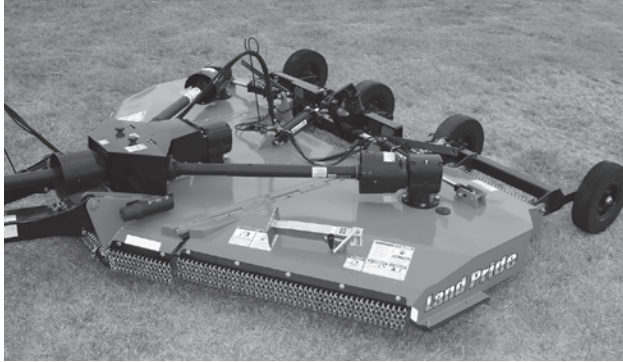
Cutters

MODEL NUMBER	DESCRIPTION	APPROX. MACHINE WEIGHT	SHIPPING WEIGHT	LIST PRICE
RC3712	12' HEAVY DUTY ROTARY CUTTER - 540 rpm	3000#	3000#	\$ 15,761
RCM3712	12' HEAVY DUTY ROTARY CUTTER - 1000 rpm	3000#	3000#	\$ 15,761
OPTIONS				
<u>You Must Choose a Tire Package</u>				
-01	21" Laminate, 2 Center, Single Wings	280#	280#	\$ 522
-02	21" Laminate, 4 Center, Single Wings	420#	420#	\$ 958
-04	25.5" Aircraft, 2 Center, Single Wings	348#	348#	\$ 1,340
-05	25.5" Aircraft, 4 Center, Single Wings	522#	522#	\$ 2,191
-16	24" Foam-Filled Used Aircraft, 2 Center, Single Wings	488#	488#	\$ 1,513
-17	24" Foam-Filled Used Aircraft, 4 Center, Single Wings	732#	732#	\$ 2,446
-13	26" Laminate, 2 Center, Single Wings	347#	347#	\$ 1,076
-14	26" Laminate, 4 Center, Single Wings	520#	520#	\$ 1,787
<u>You Must Choose a Driveline</u>				
-32	540 1-3/8", 6 Spline CV Main, Cat. 6 Wings	78#	78#	\$ 815
-37	540 1-3/8", 6 Spline CV Main with Over-running Clutch, Cat. 6 Wings	78#	78#	\$ 999
-32	1000 1-3/8", 21 Spline CV Main, Cat. 6 Wings	78#	78#	\$ 815
-37	1000 1-3/8", 21 Spline CV Main with Over-running Clutch, Cat. 6 Wings	78#	78#	\$ 999
<u>You Must Choose a Chain Guard</u>				
-40	Single Chain - Front & Rear	102#	102#	\$ 480
-41	Double Chain - Front & Rear	156#	156#	\$ 686
<u>You Must Choose a Hitch</u>				
-70	Fixed Clevis Htch	39#	39#	\$ 205
-72	Bar-tite Hitch	69#	69#	\$ 469
-73	Pintle Hitch	43#	43#	\$ 269
-74	Ball Hitch (2-5/16")	28#	28#	\$ 194
-75	Performance Hitch - Self Leveling, Up and Down and Side to Side Swivel	62#	62#	\$ 355
*** (Option 75 is NOT compatible with Kubota L/Grand L Tractors) ***				
ADD				
<u>You May Choose a Color Option (No Option=Buckskin)</u>				
-81	Green			
-82	Orange			
-83	Red			
-86	Yellow			

RCG3712 - 12' Heavy Duty Galvanized

[RETURN TO INDEX](#)

50-160 HP



Hot-dipped Zinc Galvanized Deck
 Working Width: 12'
 Transport Width: 9'4"
 Overall Width: 12'10"
 Overall Length: 15'3"
 Hitch: Pull-Type, Self-Leveling Hitch & Clevis
 Hitch Weight: 1,370 lbs.
 Tongue Jack
 Cutting Height: 1 1/2" - 14"*
 Cutting Capacity: 3"
 Deck Height: 11"

Deck Thickness: 10 Gauge
 Side Skirt Thickness: 1/4"
 Gearbox Rating^: 160 HP Divider; 130 HP Center & Wings
 Gearbox: 540 rpm or 1000 rpm
 Gearbox Input Shaft: 1 3/4" 20 Spline
 Gearbox Output Shaft: 2"
 Input Driveline: Constant Velocity U-Joint, Cat. 6
 Connecting Driveline: Cat. 4
 Stump-Jumper: 3/16", Round
 Blades: 2 per Section, 1/2" x 4" Heat Treated
 Free Swinging Alloy Steel with Uplift
 Blade Bolt: Keyed with Hardened Flatwasher
 & Lock Nut
 Blade Overlap: 6"
 Blade Speed
 540: Center: 15,514 fpm, Wings: 15,474 fpm
 1000: Center: 15,700 fpm, Wings: 15,707 fpm
 Wheels: 4 or 6
 25.5" x 6.75" Aircraft Tires, Pneumatic or Foam Filled,
 or 21" or 26" Laminated Tires
 Tapered Roller Bearings & Cast Iron 5-Bolt Hubs
 with 1 3/4" Shaft
 Wing Transport Locks
 Wing Hydraulics: 2 1/2" x 12" Cylinder, Hoses & Fittings
 Height Adjustments: 3" x 8"
 Skid Shoes: Wings & Center, Replaceable
 Front and Rear Single or Double Chain Shielding
 Blade Rotation: L-CW, C-CCW, R-CCW
 Lights Standard

SEE NEXT PAGE FOR PRICING.

*Varies by Tire Option

See pg. 33 for pricing and color options

See pg. 33 for available hitches

^Gearbox HP rating is based on in field use and performance



RCG3712 - 12' Heavy Duty Galvanized

RETURN TO INDEX

Cutters



MODEL NUMBER	DESCRIPTION	APPROX. MACHINE WEIGHT	SHIPPING WEIGHT	LIST PRICE
RCG3712	12' HEAVY DUTY GALVANIZED ROTARY CUTTER - 540 rpm	3125#	3125#	\$ 17,631
RCGM3712	12' HEAVY DUTY GALVANIZED ROTARY CUTTER - 1000 rpm	3125#	3125#	\$ 17,631

OPTIONS

You Must Choose a Tire Package

-01	21" Laminate, 2 Center, Single Wings	280#	280#	\$ 522
-02	21" Laminate, 4 Center, Single Wings	420#	420#	\$ 958
-04	25.5" Aircraft, 2 Center, Single Wings	348#	348#	\$ 1,340
-05	25.5" Aircraft, 4 Center, Single Wings	522#	522#	\$ 2,191
-16	24" Foam-Filled Used Aircraft, 2 Center, Single Wings	488#	488#	\$ 1,513
-17	24" Foam-Filled Used Aircraft, 4 Center, Single Wings	732#	732#	\$ 2,446
-13	26" Laminate, 2 Center, Single Wings	347#	347#	\$ 1,076
-14	26" Laminate, 4 Center, Single Wings	520#	520#	\$ 1,787

You Must Choose a Driveline

-32	540 1-3/8", 6 Spline CV Main, Cat. 6 Wings	78#	78#	\$ 815
-37	540 1-3/8", 6 Spline CV Main with Over-running Clutch, Cat. 6 Wings	78#	78#	\$ 999
-32	1000 1-3/8", 21 Spline CV Main, Cat. 6 Wings	78#	78#	\$ 815
-37	1000 1-3/8", 21 Spline CV Main with Over-running Clutch, Cat. 6 Wings	78#	78#	\$ 999

You Must Choose a Chain Guard

-40	Single Chain - Front & Rear	163#	163#	\$ 480
-41	Double Chain - Front & Rear	250#	250#	\$ 686

You Must Choose a Hitch

-70	Fixed Clevis Htch	39#	39#	\$ 205
-72	Bar-tite Hitch	69#	69#	\$ 469
-73	Pintle Hitch	43#	43#	\$ 269
-74	Ball Hitch (2-5/16")	28#	28#	\$ 194
-75	Performance Hitch - Self Leveling, Up and Down and Side to Side Swivel	62#	62#	\$ 355

*****(Option 75 is NOT compatible with Kubota L/Grand L Tractors)*****

RC2515 - 15' Medium Duty Smooth Top

RETURN TO INDEX

50-100 HP



Working Width: 15'
 Transport Width: 8'4"
 Overall Width: 15'7"
 Overall Length: 15'6"
 Hitch: Pull-Type, Self-Leveling Hitch & Clevis
 Hitch Weight: 1,123 lbs.
 Tongue Jack
 Cutting Height: 2" - 13"
 Cutting Capacity: 1 1/2"
 Deck Height: 11"
 Deck Thickness: 10 Gauge
 Side Skirt Thickness: 1/4" Plate

Gearbox Rating^: 160 HP Divider; 100 HP Center & Wings
 Gearbox: 540 rpm
 Gearbox Input Shaft: 1 3/8" 6 Spline
 Gearbox Output Shaft: 1 5/8"
 Input Driveline: Constant Velocity U-Joint, Cat. 4
 Connecting Driveline: Cat. 3 Slip-Clutch
 Stump-Jumper: 10 Gauge, Round, Dish Shaped
 Blades: 2 per Section, 1/2" x 4" Heat Treated
 Free Swinging Alloy Steel with Uplift
 Blade Bolt: Keyed with Hardened Flatwasher & Lock Nut
 Blade Overlap: 6"
 Blade Speed: Center & Wings: 15,000 fpm
 Wheels: 4 or 6
 29" x 7.7" x 15" Used Aircraft Tires or
 6" x 9" x 21" Laminated Tires
 Tapered Roller Bearings & Cast Iron 5-Bolt Hubs
 with 1 3/4" Shaft
 Wing Transport Locks
 Wing Hydraulics: 2" x 10" Cylinder, Hoses & Fittings
 Height Adjustments: 2 1/2" x 8" Cylinder, Hose, Fittings
 & Stroke Control Spacers
 Skid Shoes: Wings & Center, Replaceable
 Front and Rear Shielding: Single Row Chain or Rubber
 Requires Two Hydraulic Remotes
 Lights Standard

MODEL NUMBER	DESCRIPTION	APPROX. MACHINE WEIGHT	SHIPPING WEIGHT	LIST PRICE
RC2515	15' ROTARY CUTTER - 540 rpm	2652#	2652#	\$ 11,697
ADD OPTION NO. CHOOSE ONE FRONT GUARD				
-01	Single Row Chain (331-087A)	114#	114#	\$ 388
-02	Rubber Guard (331-089A)	40#	40#	\$ 296
CHOOSE ONE TIRE & AXLE ASSEMBLY				
-12	21" Laminated, 4 Center, 2 Wing	520#	520#	\$ 2,915
-14	29" Aircraft, 4 Center, 2 Wing	533#	533#	\$ 3,229
-16	21" Laminated, 2 Center, 2 Wing	380#	380#	\$ 2,448
-18	29" Aircraft, 2 Center, 2 Wing	389#	389#	\$ 2,654
CHOOSE ONE REAR GUARD				
-41	Single Row Chain (331-088A)	72#	72#	\$ 336
-42	Rubber Guard (331-090A)	32#	32#	\$ 290
ADD OPTION NO. COLOR OPTIONS (No Option=Buckskin)				
-81	Green			
-82	Orange			
-83	Red			

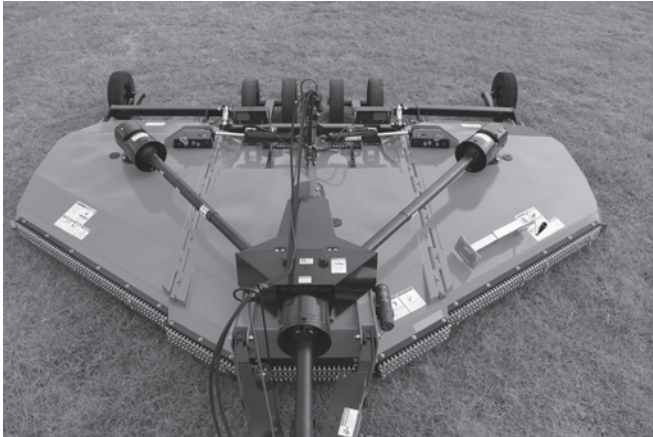
[^]Gearbox HP rating is based on in field use and performance

WARNING! Rotary Cutters used in non-agricultural areas must be equipped with front & rear guards. The possibility of thrown objects can be hazardous to persons or property.

RC3715 - 15' Medium Duty Smooth Top

[RETURN TO INDEX](#)

50-160 HP



Working Width: 15'
 Transport Width: 10'3" Normal, 7'3" with Narrow Option
 Overall Width: 15'10"
 Overall Length: 16'3"
 Hitch: Pull-Type, Self-Leveling Hitch & Clevis
 Tongue Jack
 Cutting Height: 1 1/2" - 16"*
 Cutting Capacity: 3"
 Deck Height: 12"
 Deck Thickness: 10 Gauge
 Side Skirt Thickness: 1/4"

Gearbox Rating^: 160 HP Divider; 130 HP Center & Wings
 Gearbox: 540 or 1000 rpm
 Gearbox Input Shaft: 1 3/4" 20 Spline
 Gearbox Output Shaft: 2"
 Input Driveline: Constant Velocity U-Joint Cat. 6, Splined
 540 or 1000 RPM
 Connecting Driveline: Cat. 4 Slip-Clutch
 Stump-Jumper: 3/16", Round, Dish Shaped
 Blades: 2 per Section, 1/2" x 4" Heat Treated
 Free Swinging Alloy Steel with Uplift
 Blade Bolt: Keyed with Hardened Flatwasher & Lock Nut
 Blade Overlap: 6"
 Blade Speed:
 540 rpm: Center: 15,268 fpm, Wings: 15,000 fpm
 1000 rpm: Center: 15,578 fpm, Wings: 14,620 fpm
 4, 6 or 8 Wheels, with Spring-Cushioned Center Axle
 Wheel Options:
 6" x 21" or 6" x 26" Laminated Tires
 29" x 7.75" x 15" Used Aircraft Tires
 25.5" x 8" x 14" New 20-Ply Pneumatic
 or Foam Filled Tires
 Tapered Roller Bearings & Cast Iron 5-Bolt Hubs
 with 1 3/4" Shaft
 Wing Transport Locks
 Wing Hydraulics: 2 1/2" x 12" Cylinder, Hoses & Fittings
 Height Adjustments: 3" x 8" Cylinder, Hose & Fittings
 Skid Shoes: Wings & Center, Replaceable
 Front and Rear Shielding: Single or Double Chain
 Blade Rotation: L-CW, C-CCW, R-CCW
 Lights Standard

Cutters

MODEL NUMBER	DESCRIPTION	APPROX. MACHINE WEIGHT	SHIPPING WEIGHT	LIST PRICE
RC3715 -01-32-40-60-65-70	15' ROTARY CUTTER - 540 rpm 4 21" Laminated Tires (01) CV Driveline with Cat 4 Wings (32) Single Chains - Front & Rear (40) Without Deck Rings (60) Single Acting Fold Cylinder (65) Fixed Clevis Hitch (70)	4009#	4009#	\$ 18,165
RC3715 -08-32-40-60-65-75	15' ROTARY CUTTER - 540 rpm 6 29" Used Aircraft Tires (08) CV Driveline with Cat 4 Wings (32) Single Chains - Front & Rear (40) Without Deck Rings (60) Single Acting Fold Cylinder (65) Performance Hitch (75)	4184#	4184#	\$ 19,198
RC3715 -14-32-40-60-65-75	15' ROTARY CUTTER - 540 rpm 6 26" Laminated Tires (14) CV Driveline with Cat 4 Wings (32) Single Chains - Front & Rear (40) Without Deck Rings (60) Single Acting Fold Cylinder (65) Performance Hitch (75)	4272#	4272#	\$ 19,580

*Varies by Tire Option

^Gearbox HP rating is based on in field use and performance

See pg. 38 for optional pricing and color options

See pg. 69 for available hitches

WARNING!

Rotary Cutters used in non-agricultural areas must be equipped with front & rear guards. The possibility of thrown objects can be hazardous to persons or property.

RETURN TO INDEX

RC3715 - 15' Medium Duty Smooth Top

50-160 HP



TO BUILD A UNIT NOT LISTED IN THE CONFIGURED UNIT PRICING, USE THE FOLLOWING.

MODEL NUMBER	DESCRIPTION	APPROX. MACHINE WEIGHT	LIST PRICE
RC3715	15' MEDIUM-DUTY ROTARY CUTTER - 540 rpm	3329#	\$ 14,355
RCM3715	15' MEDIUM-DUTY ROTARY CUTTER - 1000 rpm	3329#	\$ 14,355
ADD OPTION			
NUMBER	You Must Choose a Tire Option		
-01	21" Laminate, 2 Center, Single Wings	280#	\$ 522
-02	21" Laminate, 4 Center, Single Wings	420#	\$ 958
-03	21" Laminate, 4 Center, Dual Wings	560#	\$ 1,400
-04	25.5" Aircraft, 2 Center, Single Wings	348#	\$ 1,340
-05	25.5" Aircraft, 4 Center, Single Wings	522#	\$ 2,191
-06	25.5" Aircraft, 4 Center, Dual Wings	696#	\$ 3,046
-07	29" Used Aircraft, 2 Center, Single Wings	288#	\$ 818
-08	29" Used Aircraft, 4 Center, Single Wings	432#	\$ 1,405
-09	29" Used Aircraft, 4 Center, Dual Wings	576#	\$ 1,996
-16	24" Foam-Filled Used Aircraft, 2 Center, Single Wings	488#	\$ 1,513
-17	24" Foam-Filled Used Aircraft, 4 Center, Single Wings	732#	\$ 2,446
-18	24" Foam-Filled Used Aircraft, 4 Center, Dual Wings	976#	\$ 3,404
-13	26" Laminate, 2 Center, Single Wings	347#	\$ 1,076
-14	26" Laminate, 4 Center, Single Wings	520#	\$ 1,787
-15	26" Laminate, 4 Center, Dual Wings	694#	\$ 2,513
<u>If 540 RPM - You Must Pick a Driveline Package - Main Driveline - 1-3/4" - 20 Spline</u>			
-32	540 CV Main, Cat 4 Wing	78#	\$ 1,911
-34	540 CV Main, Cat 5 Wing	78#	\$ 2,211
-37	540 1-3/8", 6 Spline CV Main with Over-Running Clutch, Cat 4 Wings*	78#	\$ 2,072
-38	540 1-3/8", 6 Spline CV Main with Over-Running Clutch, Cat. 5 Wings*	78#	\$ 2,395
<u>If 1000 RPM - You Must Pick a Driveline Package - Main Driveline - 1-3/4" - 20 Spline</u>			
-32	1000 1-3/8", 21 Spline CV Main, Cat 4 Wings	78#	\$ 1,911
-34	1000 1-3/8", 21 Spline CV Main, Cat 5 Wings	78#	\$ 2,211
-37	1000 1-3/8", 21 Spline CV Main with Over-Running Clutch, Cat 4 Wings*	78#	\$ 2,072
-38	1000 1-3/8", 21 Spline CV Main with Over-Running Clutch, Cat. 5 Wings*	78#	\$ 2,395
<u>You Must Choose One Guard</u>			
-40	Single Chains - Front & Rear	208#	\$ 607
-41	Double Chains - Front & Rear	312#	\$ 802
<u>You Must Choose a Deck Ring Option</u>			
-60	No Deck Rings	0#	\$ 0
-61	Deck Rings	163#	\$ 539
<u>You Must Choose a Fold Option</u>			
-65	Single-acting Fold Cylinders (1 hose)	75#	\$ 565
-66	Dual-acting Fold Cylinders for Narrow Transport (2 hoses)	84#	\$ 641
-67	Independent Single-acting Fold Cylinders (2 hose)	80#	\$ 607
-68	Independent Dual-acting Fold Cylinders for Narrow Transport (4 hoses)	96#	\$ 726
<u>You Must Choose a Hitch Clevis Option</u>			
-70	Fixed Clevis Hitch	39#	\$ 205
-72	Bar-tite Hitch	69#	\$ 469
-73	Pintle Hitch	43#	\$ 269
-74	Ball Hitch 2-5/16	28#	\$ 194
-75	Performance Hitch, Self-leveling	62#	\$ 355
<u>You May Choose a Color Option (No Option=Buckskin)</u>			
-81	Green		
-82	Orange		
-83	Red		
-86	Yellow		

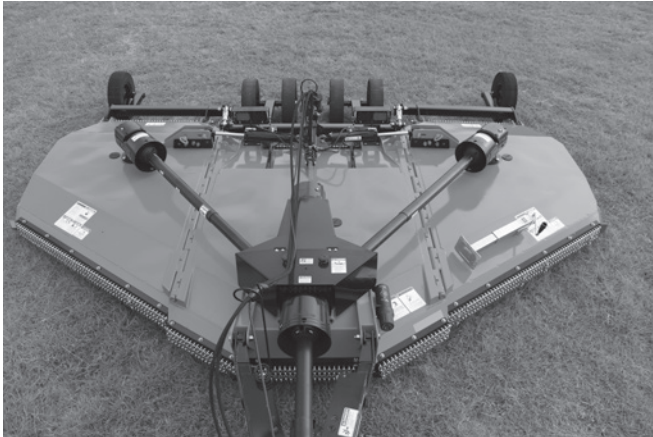
*Over-running clutch recommended for tractors with instant off PTO
^Gearbox HP rating is based on in field use and performance

WARNING! Rotary Cutters used in non-agricultural areas must be equipped with front & rear guards. The possibility of thrown objects can be hazardous to persons or property.

RCG3715 - 15' Medium Duty Galvanized

[RETURN TO INDEX](#)

50-160 HP



Hot-dipped Zinc Galvanized Deck
 Working Width: 15'
 Transport Width: 10'3" Normal, 7'3" with Narrow Option
 Overall Width: 15'10"
 Overall Length: 16'3"
 Hitch: Pull-Type, Self-Leveling Hitch & Clevis
 Tongue Jack
 Cutting Height: 1 1/2" - 16"*
 Cutting Capacity: 3"
 Deck Height: 12"
 Deck Thickness: 10 Gauge

Side Skirt Thickness: 1/4"
 Gearbox Rating^: 160 HP Divider; 130 HP Center & Wings
 Gearbox: 540 or 1000 rpm
 Gearbox Input Shaft: 1 3/4" 20 Spline
 Gearbox Output Shaft: 2"
 Input Driveline: Constant Velocity U-Joint Cat. 6, Splined
 540 or 1000 RPM
 Connecting Driveline: Cat. 4 Slip-Clutch
 Stump-Jumper: 3/16", Round, Dish Shaped
 Blades: 2 per Section, 1/2" x 4" Heat Treated
 Free Swinging Alloy Steel with Uplift
 Blade Bolt: Keyed with Hardened Flatwasher & Lock Nut
 Blade Overlap: 6"
 Blade Speed:
 540 rpm: Center: 15,268 fpm, Wings: 15,000 fpm
 1000 rpm: Center: 15,578 fpm, Wings: 14,620 fpm
 4, 6 or 8 Wheels, with Spring-Cushioned Center Axle
 Wheel Options:
 6" x 21" or 6" x 26" Laminated Tires
 29" x 7.75" x 15" Used Aircraft Tires
 25.5" x 8" x 14" New 20-Ply Pneumatic
 or Foam Filled Tires
 Tapered Roller Bearings & Cast Iron 5-Bolt Hubs
 with 1 3/4" Shaft
 Wing Transport Locks
 Wing Hydraulics: 2 1/2" x 12" Cylinder, Hoses & Fittings
 Height Adjustments: 3" x 8" Cylinder, Hose & Fittings
 Skid Shoes: Wings & Center, Replaceable
 Front and Rear Shielding: Single or Double Chain
 Blade Rotation: L-CW, C-CCW, R-CCW
 Lights Standard

Cutters

MODEL NUMBER	DESCRIPTION	APPROX. MACHINE WEIGHT	SHIPPING WEIGHT	LIST PRICE
RCG3715 -01-32-40-60-65-70	15' GALVANIZED ROTARY CUTTER - 540 rpm 4 21" Laminated Tires (01) CV Driveline with Cat 4 Wings (32) Single Chains - Front & Rear (40) Without Deck Rings (60) Single Acting Fold Cylinder (65) Fixed Clevis Hitch (70)	4184#	4184#	\$ 20,601
RCG3715 -14-32-40-60-65-75	15' GALVANIZED ROTARY CUTTER - 540 rpm 6 26" Laminated Tires (14) CV Driveline with Cat 4 Wings (32) Single Chains - Front & Rear (40) Without Deck Rings (60) Single Acting Fold Cylinder (65) Performance Hitch (75)	4447#	4447#	\$ 22,016
RCG3715 -08-32-40-60-65-75	15' GALVANIZED ROTARY CUTTER - 540 rpm 6 29" Used Aircraft Tires (08) CV Driveline with Cat 4 Wings (32) Single Chains - Front & Rear (40) Without Deck Rings (60) Single Acting Fold Cylinder (65) Performance Hitch (75)	4359#	4359#	\$ 21,634

*Varies by Tire Option
 ^Gearbox HP rating is based on in field use and performance
 See pg. 37 for optional pricing and color options
 See pg. 37 for available hitches

WARNING!

Rotary Cutters used in non-agricultural areas must be equipped with front & rear guards. The possibility of thrown objects can be hazardous to persons or property.

RCG3715 - 15' Medium Duty Galvanized

RETURN TO INDEX

50-160 HP



TO BUILD A UNIT NOT LISTED IN THE CONFIGURED UNIT PRICING, USE THE FOLLOWING.

MODEL NUMBER	DESCRIPTION	APPROX. MACHINE WEIGHT	LIST PRICE
RCG3715	15' MEDIUM-DUTY GALVANIZED ROTARY CUTTER - 540 rpm	3795#	\$ 16,791
RCGM3715	15' MEDIUM-DUTY GALVANIZED ROTARY CUTTER - 1000 rpm	3795#	\$ 16,791

ADD OPTION

NUMBER	You Must Choose a Tire Option		
-01	21" Laminate, 2 Center, Single Wings	280#	\$ 522
-02	21" Laminate, 4 Center, Single Wings	420#	\$ 958
-03	21" Laminate, 4 Center, Dual Wings	560#	\$ 1,400
-04	25.5" Aircraft, 2 Center, Single Wings	348#	\$ 1,340
-05	25.5" Aircraft, 4 Center, Single Wings	522#	\$ 2,191
-06	25.5" Aircraft, 4 Center, Dual Wings	696#	\$ 3,046
-07	29" Used Aircraft, 2 Center, Single Wings	288#	\$ 818
-08	29" Used Aircraft, 4 Center, Single Wings	432#	\$ 1,405
-09	29" Used Aircraft, 4 Center, Dual Wings	576#	\$ 1,996
-16	24" Foam-Filled Used Aircraft, 2 Center, Single Wings	488#	\$ 1,513
-17	24" Foam-Filled Used Aircraft, 4 Center, Single Wings	732#	\$ 2,446
-18	24" Foam-Filled Used Aircraft, 4 Center, Dual Wings	976#	\$ 3,404
-13	26" Laminate, 2 Center, Single Wings	347#	\$ 1,076
-14	26" Laminate, 4 Center, Single Wings	520#	\$ 1,787
-15	26" Laminate, 4 Center, Dual Wings	694#	\$ 2,513
<u>If 540 RPM - You Must Pick a Driveline Package - Main Driveline - 1-3/4" - 20 Spline</u>			
-32	540 CV Main, Cat 4 Wing	78#	\$ 1,911
-34	540 CV Main, Cat 5 Wing	78#	\$ 2,211
-37	540 1-3/8", 6 Spline CV Main with Over-Running Clutch, Cat 4 Wings*	78#	\$ 2,072
-38	540 1-3/8", 6 Spline CV Main with Over-Running Clutch, Cat. 5 Wings*	78#	\$ 2,395
<u>If 1000 RPM - You Must Pick a Driveline Package - Main Driveline - 1-3/4" - 20 Spline</u>			
-32	1000 1-3/8", 21 Spline CV Main, Cat 4 Wings	78#	\$ 1,911
-34	1000 1-3/8", 21 Spline CV Main, Cat 5 Wings	78#	\$ 2,211
-37	1000 1-3/8", 21 Spline CV Main with Over-Running Clutch, Cat 4 Wings*	78#	\$ 2,072
-38	1000 1-3/8", 21 Spline CV Main with Over-Running Clutch, Cat. 5 Wings*	78#	\$ 2,395
<u>You Must Choose One Guard</u>			
-40	Single Chains - Front & Rear	208#	\$ 607
-41	Double Chains - Front & Rear	312#	\$ 802
<u>You Must Choose a Deck Ring Option</u>			
-60	No Deck Rings	0#	\$ 0
-61	Deck Rings	163#	\$ 534
<u>You Must Choose a Fold Option</u>			
-65	Single-acting Fold Cylinders (1 hose)	75#	\$ 565
-66	Dual-acting Fold Cylinders for Narrow Transport (2 hoses)	84#	\$ 641
-67	Independent Single-acting Fold Cylinders (2 hose)	80#	\$ 607
-68	Independent Dual-acting Fold Cylinders for Narrow Transport (4 hoses)	96#	\$ 726
<u>You Must Choose a Hitch Clevis Option</u>			
-70	Fixed Clevis Hitch	39#	\$ 205
-72	Bar-tite Hitch	69#	\$ 469
-73	Pintle Hitch	43#	\$ 269
-74	Ball Hitch 2-5/16	28#	\$ 194
-75	Performance Hitch, Self-leveling	62#	\$ 355

*Over-running clutch recommended for tractors with instant off PTO
 ^Gearbox HP rating is based on in field use and performance

WARNING! Rotary Cutters used in non-agricultural areas must be equipped with front & rear guards. The possibility of thrown objects can be hazardous to persons or property.

RC3620 - 20' Medium Duty

[RETURN TO INDEX](#)

Cutters

70-160 HP



Working Width: 20'
 Transport Width: 9' 11" Minimum
 Overall Width: 20' 10"
 Overall Length: 19' 3"
 Hitch: Pull-Type
 Tongue Jack
 Cutting Height*: 2" - 12" Cutting Capacity: 2"
 Deck Height: 13"
 Deck Thickness: 10 Gauge
 Side Skirt Thickness: 1/4"
 Gearbox Rating^: 250 HP Divider; 150 HP Center & Wings
 Gearbox: 540 or 1000 rpm
 Gearbox Input Shaft: 1 3/4" 20 Spline
 Gearbox Output Shaft: 2"
 Input Driveline: Constant Velocity U-Joint Cat. 6, Splined

540 or 1000 RPM
 Connecting Driveline: Cat. 4, Slip-Clutch
 Stump-Jumper: 10 Gauge, Round, Dish Shaped
 Blades: 2 per Section, 1/2" x 4" Heat Treated
 Free Swinging Alloy Steel with Uplift
 Blade Bolt: Keyed with Hardened Flatwasher & Lock Nut
 Blade Overlap: 6"
 Blade Speed:
 540 rpm: Center: 16,000 fpm, Wings: 16,000 fpm
 1000 rpm: Center: 16,500 fpm, Wings: 16,500 fpm
 6 or 8 Wheel Option, with Spring-Cushioned Center Axle
 Tire Options:
 6" x 21" Laminated Tires
 29" x 9 x 15 Used Aircraft Tires
 27" x 7.75" x 15" Foam Filled Aircraft Tires
 Tapered Roller Bearings & Cast Iron 5-Bolt Hubs w/1 3/4" Shaft
 Wing Transport Locks
 Wing Hydraulics: 3" x 12" Cylinder, Hoses & Fittings
 Height Adjustments: 3-1/2" x 8" Cylinder, Hose, Fittings
 & Stroke Control Spacers
 Skid Shoes: Wings Reversible & Center, Both Replaceable
 Front and Rear Shielding:
 Single or Double Chain
 Optional Deck Rings - 1/2" x 3" Fully Welded
 Lights Standard

For 1000 RPM, change prefix to RCM

MODEL NUMBER	DESCRIPTION	APPROX. MACHINE WEIGHT	LIST PRICE
RC3620-011232416070	20' ROTARY CUTTER - 540 rpm Single Front Chain Guard (01) 6 ea. Laminated Tires, Dual Axle (12) Constant Velocity Input Driveline, Cat. 6 (32) Single Rear Chain Guard (41) No Deck Rings (60) Standard Clevis (70)	6085#	\$ 25,556
RC3620-031232436070	20' ROTARY CUTTER - 540 rpm Double Front Chain Guard (03) 6 ea. Laminated Tires, Dual Axle (12) Constant Velocity Input Driveline, Cat. 6 (32) Double Rear Chain Guard (43) No Deck Rings (60) Standard Clevis (70)	6115#	\$ 25,853
RC3620-011432416070	20' ROTARY CUTTER - 540 rpm Single Front Chain Guard (01) 6 ea. Used Airplane Tires, Dual Axle (14) Constant Velocity Input Driveline, Cat. 6 (32) Single Rear Chain Guard (41) No Deck Rings (60) Standard Clevis (70)	6237#	\$ 26,152
RC3620-031432436070	20' ROTARY CUTTER - 540 rpm Double Front Chain Guard (03) 6 ea. Used Airplane Tires, Dual Axle (14) Constant Velocity Input Driveline, Cat. 6 (32) Double Front Chain Guard (43) No Deck Rings (60) Standard Clevis (70)	6267#	\$ 26,449

See pg. 40 for optional pricing and color option

See pg. 69 for available hitches

^Gearbox HP rating is based on in field use and performance

*Maximum cutting height id dependent on tire options selected.

WARNING!

Rotary Cutters used in non-agricultural areas must be equipped with front & rear guards. The possibility of thrown objects can be hazardous to persons or property.

RC3620 - 20' Medium Duty

RETURN TO INDEX

70-160 HP



TO BUILD A UNIT NOT LISTED IN CONFIGURED UNIT PRICING, USE THE FOLLOWING.

MODEL NUMBER	DESCRIPTION	APPROX. MACHINE WT	LIST PRICE
RC3620	20' ROTARY CUTTER - 540 rpm	5137#	\$ 21,701
RCM3620	20' ROTARY CUTTER - 1000 rpm	5137#	\$ 21,701
ADD			
OPTION NO.	Choose One Front Guard		
-01	Single Row Chain Guard (330-817A)	211#	\$ 569
-03	Double Row Chain Guard (330-818A)	233#	\$ 760
Choose One Wheel & Axle Assembly			
-12	6 ea. 21" Laminated Tires with Dual Axle	504#	\$ 1,532
-14	6 ea. 29" Used Airplane Tires with Dual Axle	656#	\$ 2,128
-20	8 ea. 21" Laminated Tires with Dual Axle	624#	\$ 1,984
-22	8 ea. 29" Used Airplane Tires with Dual Axle	790#	\$ 2,793
-23	6 ea. 27" Foam Filled Airplane Tires with Dual Axle	736#	\$ 3,517
-24	8 ea. 27" Foam Filled Airplane Tires with Dual Axle	895#	\$ 4,745
Choose One Driveline Package			
-32	Constant Velocity U-Joint Main - 540 rpm or 1000 rpm - Cat. 4 Wing	75#	\$ 1,347
-34	Constant Velocity Main - 540 rpm or 1000 rpm - Cat. 5 Wing	75#	\$ 1,903
Choose One Rear Guard			
-41	Single Row Chain Guard (330-819A)	104#	\$ 407
-43	Double Row Chain Guard (330-820A)	112#	\$ 513
You Must Choose Deck Rings or No Deck Rings			
-60	No Deck Rings	0#	\$ 0
-61	Deck Rings	200#	\$ 991
You Must Choose A Hitch Clevis Option			
-70	Standard Clevis	54#	\$ 0
-72	Bar Tite Hitch	68#	\$ 300
-73	Pintle Hitch	72#	\$ 134
-74	Ball Hitch	17#	\$ 517
-75	Performance Hitch - Self Leveling Up & Down & Side to Side Swivel	57#	\$ 278
You May Choose A Color Option (No Option=Buckskin)			
-81	Green		
-82	Orange		
-83	Red		
-86	CAT Yellow		

^Gearbox HP rating is based on in field use and performance

RC3614 - 14' Medium Duty Offset

[RETURN TO INDEX](#)

70-160 HP



Working Width: 14'
 Transport Width: 8' 9"
 Overall Width: 15'
 Overall Length: 19' 3"
 Hitch: Pull-Type
 Tongue Jack
 Cutting Height*: 2" - 12"
 Cutting Capacity: 2"
 Deck Height: 13"
 Deck Thickness: 10 Gauge
 Side Skirt Thickness: 1/4"
 Gearbox Rating^: 250 HP Divider; 150 HP Center & Wing
 Gearbox: 540 or 1000 rpm
 Gearbox Input Shaft: 1 3/4" 20 Spline
 Gearbox Output Shaft: 2"

Weightbox on Left Side
 Input Driveline: Constant Velocity U-Joint Cat. 6, Splined
 540 or 1000 RPM
 Connecting Driveline: Cat. 4, Slip-Clutch
 Stump-Jumper: 10 Gauge, Round, Dish Shaped
 Blades: 2 per Section, 1/2" x 4" Heat Treated
 Free Swinging Alloy Steel with Uplift
 Blade Bolt: Keyed with Hardened Flatwasher & Lock Nut
 Blade Overlap: 6"
 Blade Speed:
 540 rpm: Center: 16,000 fpm, Wing: 16,000 fpm
 1000 rpm: Center: 16,500 fpm, Wing: 16,500 fpm
 5 or 6 Wheel Option, with Spring-Cushioned Center Axle
 Tire Options: 6" x 21" Laminated Tires
 29" x 9 x 15 Used Aircraft Tires
 27" x 7.75 x 15 Foam Filled Used Aircraft Tires
 Tapered Roller Bearings & Cast Iron 5-Bolt Hubs
 with 1 3/4" Shaft
 Wing Transport Lock
 Wing Hydraulics: 3" x 12" Cylinder, Hoses & Fittings
 Height Adjustments: 3 1/2" x 8" Cylinder, Hose, Fittings
 & Stroke Control Spacers
 Skid Shoes: Wing & Center Section, Both Replaceable
 Front and Rear Shielding:
 Single or Double Chain
 Optional Deck Rings - 1/2" x 3" Fully Welded
 Lights Standard

^Based on field performance

Cutters**SEE NEXT PAGE FOR PRICING.**

^Gearbox HP rating is based on in field use and performance
 *Maximum cutting height id dependent on tire options selected.
 See pg. 42 for optional pricing and color options
 See pg. 69 for available hitches



RC3614 - 14' Medium Duty Offset

RETURN TO INDEX

70-160 HP



MODEL NUMBER	DESCRIPTION	APPROX. MACHINE WEIGHT	LIST PRICE
RC3614	14' ROTARY CUTTER - OFFSET - 540 rpm	5990#	\$ 16,005
RCM3614	14' ROTARY CUTTER - OFFSET - 1000 rpm	5990#	\$ 16,005
ADD OPTION NUMBER			
Choose One Front Guard			
-01	Single Row Chain Guard (330-892A)	141#	\$ 412
-03	Double Row Chain Guard (330-893A)	155#	\$ 573
Choose One Wheel & Axle Assembly			
-12	5 ea. Laminated Tail Wheels with Dual Axle, Single Wing	480#	\$ 1,314
-14	5 ea. Used Airplane Tires with Dual Axle, Single Wing	600#	\$ 1,569
-20	6 ea. Laminated Tail Wheels with Dual Axle	574#	\$ 1,537
-22	6 ea. Used Airplane Tires with Dual Axle	690#	\$ 1,842
-23	5 ea. Foam Filled Airplane Tires	636#	\$ 1,949
-24	6 ea. Foam Filled Airplane Tires	695#	\$ 2,301
Choose One Driveline Package			
-32	Constant Velocity U-Joint Main - 540 rpm or 1000 rpm - Cat. 4 Wing	75#	\$ 1,637
-34	Constant Velocity U-Joint Main - 540 rpm or 1000 rpm - Cat. 5 Wing	75#	\$ 1,637
Choose One Rear Guard			
-41	Single Row Chain Guard (330-902A)	79#	\$ 287
-43	Double Row Chain Guard (330-903A)	100#	\$ 364
You Must Choose Deck Rings or No Deck Rings			
-60	No Deck Rings	0#	\$ 0
-61	Deck Rings	131#	\$ 659
You Must Choose A Hitch Clevis Option			
-70	Standard Clevis	54#	\$ 0
-72	Bar Tite Hitch	68#	\$ 300
-73	Pintle Hitch	72#	\$ 134
-74	Ball Hitch	17#	\$ 517
-75	Performance Hitch - Self Leveling Up & Down & Side to Side Swivel	57#	\$ 278
You May Choose A Color Option (No Option=Buckskin)			
-81	Green		
-82	Orange		
-83	Red		
-86	CAT Yellow		

[^]Gearbox HP rating is based on in field use and performance

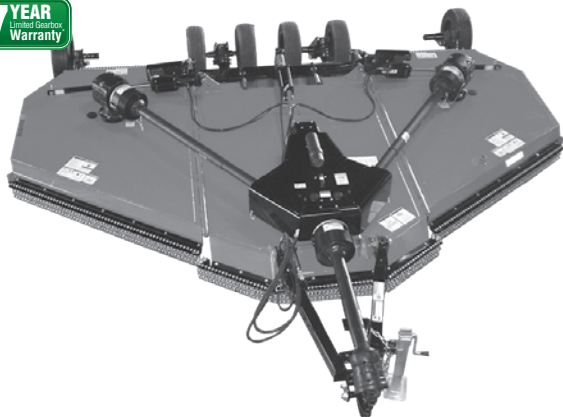
WARNING! Rotary Cutters used in non-agricultural areas must be equipped with front & rear guards. The possibility of thrown objects can be hazardous to persons or property.

RC4615 - 15' Heavy Duty Smooth Top

[RETURN TO INDEX](#)

Cutters

50-250 HP



Working Width: 15'
 Transport Width: 8' Minimum
 Overall Width: 15'9"
 Overall Length: 15'6"
 Hitch: Pull-Type
 Tongue Jack
 Cutting Height: 2" - 14"
 Cutting Capacity: 3 1/2"
 Deck Height: 12"
 Deck Thickness: 10 Gauge
 Side Skirt Thickness: 1/4"
 Gearbox Rating^: 250 HP Divider, 210 HP Center & Wings

Gearbox: 540 or 1000 rpm
 Gearbox Input Shaft: 1 3/4" 20 Spline
 Gearbox Output Shaft: 2 3/8"
 Input Driveline: Constant Velocity U-Joint Cat. 6, Splined
 540 or 1000 RPM
 Connecting Driveline: Cat. 4 or Cat. 5 Slip-Clutch
 Stump-Jumper: 3/16", Round, Dish Shaped
 Blades: 2 per Section, 1/2" x 4" Heat Treated
 Free Swinging Alloy Steel with Uplift
 Blade Bolt: Keyed with Hardened Flatwasher & Lock Nut
 Blade Overlap: 6"
 Blade Speed:
 540 rpm: Center & Wings: 16,300 fpm
 1000 rpm: Center: 16,300; Wings: 16,000 fpm
 6 or 8 Wheel Option, Individual Spring-Cushioned Wheel Arms
 Tire Options:
 6" x 21" Laminated Tires; 24" Recapped Aircraft Tires
 29" x 7.7" x 15" Used Aircraft Tires
 25.5" x 8" x 14" New 20-Ply Foam Filled Tires
 Tapered Roller Bearings & Cast Iron 5-Bolt Hubs
 with 1 3/4" Shaft
 Wing Transport Locks
 Wing Hydraulics: 3" x 12" Cylinder, Hoses & Fittings
 Height Adjustments: 3" x 8" Cylinder, Hose, Fittings
 & Stroke Control Spacers
 Skid Shoes: Wings & Center, Replaceable
 Front and Rear Shielding: Single or Double Chain
 Blade Rotation: L-CW, C-CCW, R-CCW
 Lights Standard

MODEL NUMBER	DESCRIPTION	APPROX. MACHINE WEIGHT	SHIPPING WEIGHT	LIST PRICE
RC4615-01-11-32-41-60-75	15' ROTARY CUTTER - 540 rpm Front Chain Guard (01) 6 ea. Laminated Tires, Dual Axle (11) Constant Velocity Input, Cat. 6, Cat 4 Wing (32) Rear Chain Guards (41) Self-Leveling Hitch (75)	4260#	4260#	\$ 21,051
RC4615-01-17-32-41-60-75	15' ROTARY CUTTER - 540 rpm Front Chain Guard (01) 6 ea. 29" AC Tires, Dual Axle (17) Constant Velocity Input, Cat. 6, Cat 4 Wing (32) Rear Chain Guard (41) Self-Leveling Hitch (75)	4412#	4412#	\$ 21,606
RC4615-01-14-34-41-61-75	15' ROTARY CUTTER - 540 rpm Front Chain Guard (01) 6 ea. 25.5 AC Tires, Dual Axle (14) Constant Velocity Input, Cat. 6, Cat 5 Wing (34) Rear Chain Guard (41) Deck Rings (61) Self-Leveling Hitch (75)	4512#	4512#	\$ 23,837

See pg. 44 for optional pricing and color options
 See pg. 69 for available hitches
 ^Gearbox HP rating is based on in field use and performance

WARNING!
 Rotary Cutters used in non-agricultural areas must be equipped with front & rear guards. The possibility of thrown objects can be hazardous to persons or property.

RC4615 - 15' Heavy Duty Smooth Top

RETURN TO INDEX

50-250 HP



TO BUILD A UNIT NOT LISTED IN THE CONFIGURED UNIT PRICING, USE THE FOLLOWING.

MODEL NUMBER	DESCRIPTION	APPROX. MACHINE WEIGHT	LIST PRICE
RC4615	15' ROTARY CUTTER - 540 rpm	3408#	\$ 17,470
RCM4615	15' ROTARY CUTTER - 1000 rpm	3408#	\$ 17,470
ADD OPTION NUMBER			
<u>You MUST Choose One Front Guard</u>			
-01	Single Row Chain Guard (330-481A)	145#	\$ 364
-03	Double Row Chain Guard (330-483A)	151#	\$ 673
<u>Choose One Wheel & Axle Assembly</u>			
-11	6 ea. 21" Laminated Tail Wheels with Dual Center	504#	\$ 1,386
-12	8 ea. 21" Laminated Tail Wheels with Dual Center/Wing	736#	\$ 1,941
-14	6 ea. 25.5" New Tires with Dual Center Axle	556#	\$ 2,846
-15	8 ea. 25.5" New Tires with Dual Center/Wing	644#	\$ 4,048
-17	6 ea. 29" Used Airplane Tires with Dual Center	656#	\$ 1,941
-18	8 ea. 29" Used Airplane Tires with Dual Center/Wing	736#	\$ 2,688
-20	6 ea. 25.5" New FF Tires with Dual Center Axle	756#	\$ 3,605
-21	8 ea. 25.5" New FF Tires with Dual Center/Wing	874#	\$ 5,101
<u>If 540 RPM - Choose One Driveline Package - Main Driveline - 1 3/8" - 6 Spline</u>			
-32	Main: Constant Velocity U-Joint, Cat. 6 Wing: Cat. 4 Slip-Clutch	78#	\$ 1,212
-34	Main: Constant Velocity U-Joint, Cat. 6 Wing: Cat. 5 Slip-Clutch	78#	\$ 1,873
<u>If 1000 RPM - Choose One Driveline Package - Main Driveline</u>			
-32	Main: CV U-Joint, Cat. 6, 1 3/8" - 21 Spline Wing: Cat. 4 Slip-Clutch	73#	\$ 1,212
-34	Main: CV U-Joint, Cat. 6, 1 3/8" -21 Spline Wing: Cat. 5 Slip-Clutch	73#	\$ 1,873
-35	Main: CV U-Joint, Cat. 6, 1 3/4" -20 Spline Wing: Cat. 4 Slip-Clutch	73#	\$ 1,379
-36	Main: CV U-Joint, Cat. 6, 1 3/4" -20 Spline Wing: Cat. 5 Slip-Clutch	73#	\$ 2,039
<u>You MUST Choose One Rear Guard</u>			
-41	Single Row Chain Guard (330-493A)	63#	\$ 341
-43	Double Row Chain Guard (330-495A)	170#	\$ 459
<u>You May Choose</u>			
-51	Winch used to fold wings manually	40#	\$ 616
<u>You MUST Choose Deck Ring Option</u>			
-60	No Deck Rings	0#	\$ 0
-61	Deck Rings	200#	\$ 665
<u>You MUST Pick a Hitch Option</u>			
-70	Standard Clevis - Up & Down Swivel	35#	\$ 0
-72	Bar-Tite Clevis - Bolts & Clamps to Drawbar, Up, Down & Side to Side Swivel***	68#	\$ 300
-73	Pintle Hitch	54#	\$ 511
-74	Ball Hitch	17#	\$ 517
-75	LP Performance Hitch - Self-leveling, Up, Down & Side to Side Swivel	57#	\$ 278
<u>You May Choose a Color Option (No Option=Buckskin)</u>			
-81	Green		
-82	Orange		
-83	Red		
-86	Yellow		

*This kit will be factory installed when ordered with the cutter and this option number.

^The Shredder and Fixed Blade replace the stumpjumper and blade configurations, which is figured in the base price.

**The Shredder Kit cannot be used in conjunction with Deck Rings.

***Recommended for contract mowing.

^Gearbox HP rating is based on in field use and performance

RC4610 - 10' Heavy Duty Smooth Top

[RETURN TO INDEX](#)

Cutters

50-250 HP



Gearbox Input Shaft: 1³/₄" 20 Spline
 Gearbox Output Shaft: 2³/₈"
 Input Driveline: Constant Velocity U-Joint Cat. 6, Splined
 540 or 1000 RPM
 Connecting Driveline: Cat. 4 or Cat. 5 Slip-Clutch
 Stump-Jumper: 3³/₁₆", Round, Dish Shaped
 Blades: 2 per Section, 1/2" x 4" Heat Treated
 Free Swinging Alloy Steel with Uplift
 Blade Bolt: Keyed with Hardened Flatwasher
 & Lock Nut
 Blade Overlap: 6"
 Blade Speed:
 540 rpm: Center & Wings: 16,300 fpm
 1000 rpm: Center: 16,300; Wings: 16,000 fpm
 5 or 6 Wheel Option, Individual Spring-Cushioned Wheel Arms
 Tire Options:
 6" x 21" Laminated Tires; 24" Recapped Aircraft Tires
 29" x 7.7" x 15" Used Aircraft Tires
 25.5" x 8" x 14" New 20-Ply Foam Filled Tires
 Tapered Roller Bearings & Cast Iron 5-Bolt Hubs
 with 1³/₄" Shaft
 Wing Transport Locks
 Wing Hydraulics: 3" x 12" Cylinder, Hoses & Fittings
 Height Adjustments: 3 1/2" x 8" Cylinder, Hose, Fittings
 & Stroke Control Spacers
 Skid Shoes: Wing, Box, & Center, Replaceable
 Front and Rear Shielding: Single or Double Chain
 Blade Rotation: Center-CCW, Wing-CCW
 Lights Standard

Working Width: 10'
 Transport Width: 8'10" Minimum
 Overall Width: 11'8"
 Overall Length: 15'6"
 Hitch: Pull-Type
 Tongue Jack
 Cutting Height: 2" - 14"
 Cutting Capacity: 3 1/2"
 Deck Height: 12"
 Deck Thickness: 10 Gauge
 Side Skirt Thickness: 1/4"
 Gearbox Rating^: 250 HP Divider, 210 HP Center & Wings
 Gearbox: 540 rpm or 1000 rpm

MODEL NUMBER	DESCRIPTION	APPROX. MACHINE WEIGHT	SHIPPING WEIGHT	LIST PRICE
RC4610-01-11-32-41-60-75	10' ROTARY CUTTER - 540 rpm Front Chain Guard (01) 5 ea. Laminated Tires, Dual Axle (11) Constant Velocity Input, Cat. 6, Cat 4 Wing (32) Rear Chain Guards (41) Self-Leveling Hitch (75)	4906#	4906#	\$ 18,230
RC4610-01-17-32-41-60-75	10' ROTARY CUTTER - 540 rpm Front Chain Guard (01) 5 ea. 29" AC Tires, Dual Axle (17) Constant Velocity Input, Cat. 6, Cat 4 Wing (32) Rear Chain Guard (41) Self-Leveling Hitch (75)	5031#	5031#	\$ 18,686
RC4610-01-14-34-41-61-75	10' ROTARY CUTTER - 540 rpm Front Chain Guard (01) 5 ea. 25.5 AC Tires, Dual Axle (14) Constant Velocity Input, Cat. 6, Cat 5 Wing (34) Rear Chain Guard (41) Deck Rings (61) Self-Leveling Hitch (75)	5212#	5212#	\$ 20,672

See pg. 46 for optional pricing and color options
 See pg. 45 for available hitches
 ^Gearbox HP rating is based on in field use and performance

WARNING!
 Rotary Cutters used in non-agricultural areas must be equipped with front & rear guards. The possibility of thrown objects can be hazardous to persons or property.

RC4610 - 10' Heavy Duty Smooth Top

RETURN TO INDEX

50-250 HP



TO BUILD A UNIT NOT LISTED IN THE CONFIGURED UNIT PRICING, USE THE FOLLOWING.

MODEL NUMBER	DESCRIPTION	APPROX. MACHINE WEIGHT	LIST PRICE
RC4610	10' ROTARY CUTTER - 540 rpm	3408#	\$ 15,375
RCM4610	10' ROTARY CUTTER - 1000 rpm	3408#	\$ 15,375
ADD OPTION			
NUMBER			
<u>You MUST Choose One Front Guard</u>			
-01	Single Row Chain Guard (334-125A)	183#	\$ 278
-03	Double Row Chain Guard (334-126A)	123#	\$ 366
<u>Choose One Wheel & Axle Assembly</u>			
-11	5 ea. 21" Laminated Tail Wheels with Dual Center	400#	\$ 1,008
-12	6 ea. 21" Laminated Tail Wheels with Dual Center/Wing	515#	\$ 1,286
-14	5 ea. 25.5" New Tires with Dual Center Axle	575#	\$ 2,328
-15	6 ea. 25.5" New Tires with Dual Center/Wing	615#	\$ 2,884
-17	5 ea. 29" Used Airplane Tires with Dual Center	525#	\$ 1,464
-18	6 ea. 29" Used Airplane Tires with Dual Center/Wing	620#	\$ 1,842
-20	5 ea. 25.5" New FF Tires with Dual Center Axle	740#	\$ 3,327
-21	6 ea. 25.5" New FF Tires with Dual Center/Wing	816#	\$ 4,104
<u>If 540 RPM - Choose One Driveline Package - Main Driveline - 1 3/8" - 6 Spline</u>			
-32	Main: Constant Velocity U-Joint, Cat. 6 Wing: Cat. 4 Slip-Clutch	75#	\$ 1,004
-34	Main: Constant Velocity U-Joint, Cat. 6 Wing: Cat. 5 Slip-Clutch	75#	\$ 1,626
<u>If 1000 RPM - Choose One Driveline Package - Main Driveline</u>			
-32	Main: CV U-Joint, Cat. 6, 1 ³ / ₈ " - 21 Spline Wing: Cat. 4 Slip-Clutch	75#	\$ 1,004
-34	Main: CV U-Joint, Cat. 6, 1 ³ / ₈ " - 21 Spline Wing: Cat. 5 Slip-Clutch	75#	\$ 1,626
-35	Main: CV U-Joint, Cat. 6, 1 ³ / ₄ " - 20 Spline Wing: Cat. 4 Slip-Clutch	75#	\$ 1,174
-36	Main: CV U-Joint, Cat. 6, 1 ³ / ₄ " - 20 Spline Wing: Cat. 5 Slip-Clutch	75#	\$ 1,766
<u>You MUST Choose One Rear Guard</u>			
-41	Single Row Chain Guard (334-128A)	83#	\$ 287
-43	Double Row Chain Guard (334-129A)	92#	\$ 364
<u>You May Choose</u>			
-51	Winch used to fold wings manually	40#	\$ 616
<u>You MUST Choose Deck Ring Option</u>			
-60	No Deck Rings	0#	\$ 0
-61	Deck Rings	131#	\$ 500
<u>You MUST Pick a Hitch Option</u>			
-70	Standard Clevis - Up & Down Swivel	77#	\$ 0
-72	Bar-Tite Clevis - Bolts & Clamps to Drawbar, Up, Down & Side to Side Swivel***	68#	\$ 300
-73	Pintle Hitch	54#	\$ 511
-74	Ball Hitch	61#	\$ 517
-75	LP Performance Hitch - Self-leveling, Up, Down & Side to Side Swivel	60#	\$ 278
<u>You May Choose a Color Option (No Option=Buckskin)</u>			
-81	Green		
-82	Orange		
-83	Red		
-86	Yellow		

*This kit will be factory installed when ordered with the cutter and this option number.

^AThe Shredder and Fixed Blade replace the stumpjumper and blade configurations, which is figured in the base price.

**The Shredder Kit cannot be used in conjunction with Deck Rings.

***Recommended for contract mowing.

[^]Gearbox HP rating is based on in field use and performance

RC(M)4715 - 15' Heavy Duty Rotary Cutter

[RETURN TO INDEX](#)

Cutters

50-250 HP



Working Width: 15'
 Transport Width: 10'3" Normal, 7'3" w/Narrow Option
 Overall Width: 15'10"
 Overall Length: 16'3"
 Hitch: Pull-Type, Self-Leveling Hitch & Clevis
 Tongue Jack
 Cutting Height*: 1-1/2" - 16"
 Cutting Capacity: 4"
 Deck Height: 12"
 Deck Thickness: 10 Gauge
 Side Skirt Thickness: 1/4"
 Gearbox Rating^: 250 HP Divider; 225 HP Center & Wings
 Gearbox: 540 rpm or 1000 rpm
 Gearbox Input Shaft: 1-3/4" 20 Spline
 Gearbox Output Shaft: 2-3/8"

Input Driveline: Constant Velocity U-Joint Cat. 6,
 Splined 540 or 1000 RPM
 Connecting Driveline: Cat. 4 or 5 Slip-Clutch
 Forged Diamond Blade Bar
 Optional Stump-Jumper: 3/16", Round, Dish Shaped
 Blades: 2 per Section, 1/2" x 4" Heat Treated
 Free Swinging Alloy Steel with Uplift
 Blade Bolt: Keyed with Hardened Flatwasher & Lock Nut
 Blade Overlap: 6"
 Blade Speed:
 540 rpm: Center & Wings: 16,300 fpm
 1000 rpm: Center: 16,300; Wings: 16,000 fpm
 6 or 8 Wheels with Suspension Options
 Wheel Options: 6" x 21" Laminated Tires
 6" x 26" Laminated Tires
 29" x 7.75" x 15" Used Aircraft Tires
 24" x 7.7-10 Used A/C Foam-Filled Tires
 Tapered Roller Bearings & Cast Iron 5-Bolt Hubs
 with 1-3/4" Shaft
 Wing Transport Locks
 Wing Hydraulics: 2-1/2" x 12" Cylinder, Hoses & Fittings
 Height Adjustments: 3" x 8" Cylinder, Hose, Fittings
 & Stroke Control Spacers
 Skid Shoes: Wings & Center, Replaceable
 Front and Rear Shielding: Single or Double Chain
 Blade Rotation: L-CW, C-CCW, R-CCW
 Lights Standard

MODEL NUMBER	DESCRIPTION	APPROX. MACHINE WEIGHT	LIST PRICE
RC4715-02-20-32-40-60-65-70-90	15' HEAVY-DUTY ROTARY CUTTER - 540 rpm 6-21" Laminated Tires, Single Suspension Center Axle, Rigid Wing Axles, CV, Cat 4 Wing, Chains, No Deck Rings, Single Acting Fold Cylinders, Swivel Clevis Hitch, Diamond Blade Bar		\$ 20,890
RC4715-02-21-26-32-40-60-65-75-90	15' HEAVY-DUTY ROTARY CUTTER - 540 rpm 6-21" Laminated Tires, Single Suspension Center HD Axle, Rigid HD Wing Axles, CV, Cat 4 Wing, Chains, No Deck Rings, Single Acting Fold Cylinders, Performance Hitch, Diamond Blade Bar		\$ 21,556
RC4715-02-22-27-32-40-60-65-75-90	15' HEAVY-DUTY ROTARY CUTTER - 540 rpm 6-21" Laminated Tires, Independent Suspension Center and Wing Axles, CV, Cat 4 Wing, Chains, No Deck Rings, Single Acting Fold Cylinders, Performance Hitch, Diamond Blade Bar		\$ 22,823
RC4715	15' HEAVY-DUTY ROTARY CUTTER - 540 rpm	2293#	\$ 14,482
RCM4715	15' MEAVY-DUTY ROTARY CUTTER - 1000 rpm	2293#	\$ 14,482
ADD OPTION NUMBER	You Must Choose a Tire Option		
-02	21" Laminate, 6 Tires	420#	\$ 958
-03	21" Laminate, 8 Tires	560#	\$ 1,400
-05	25.5" Aircraft, 6 Tires	522#	\$ 2,191
-06	25.5" Aircraft, 8 Tires	696#	\$ 3,046
-08	29" Used Aircraft, 6 Tires	432#	\$ 1,405
-09	29" Used Aircraft, 8 Tires	576#	\$ 1,996
-14	26" Laminate, 6 Tires	520#	\$ 1,787
-15	26" Laminate, 8 Tires	694#	\$ 2,513
-17	24" Foam-Filled Aircraft, 6 Tires	732#	\$ 2,446
-18	24" Foam-Filled Aircraft, 8 Tires	976#	\$ 3,404

*Varies by tire option.

^Gearbox HP rating is based on in field use and performance

See pg. 48 for optional pricing and color options

See pg. 69 for available hitches

WARNING!
 Rotary Cutters used in non-agricultural areas must be equipped with front & rear guards. The possibility of thrown objects can be hazardous to persons or property.

RC(M)4715 - 15' Heavy Duty Smooth Top

RETURN TO INDEX

50-250 HP

ADD OPTION

NUMBER

You Must Choose a Center Axle Option

-20	Single Suspension Center and Wing	470#	\$	2,137
-21	HD Single Suspension Center Axle	363#	\$	1,638
-22	Independent Suspension Center Axle	459#	\$	2,106
-23	Walking Tandem Center Axle	497#	\$	2,421
-24	Parallel Pivot Center Axle	443#	\$	2,318

You Must Choose a Wing Axle Option (Unless -20 Option Selected)

-26	HD Wing Axles (cannot be sold with option -22)	320#	\$	1,040
-27	Independent Suspension Wing Axles	418#	\$	1,839

If 540 RPM - You Must Pick a Driveline Package

-32	540 CV Main, Cat 4 Wings	78#	\$	1,911
-34	540 CV Main, Cat 5 Wings	78#	\$	2,211
-37	1-3/8" CV Main with Over-Running Clutch, Cat. 4 Wings*	78#	\$	2,072
-38	1-3/8" CV Main with Over-Running Clutch, Cat. 5 Wings*	78#	\$	2,395

If 1000 RPM - You Must Pick a Driveline Package

-32	1000 1-3/8", CV Main, Cat 4 Wings	78#	\$	1,911
-34	1000 1-3/8", CV Main, Cat 5 Wings	78#	\$	2,211
-35	1000 1-3/4", CV Main, Cat. 4 Wings	78#	\$	2,148
-36	1000 1-3/4", CV Main, Cat. 5 Wing	78#	\$	2,441
-37	1000 1-3/8", CV Main with Over-Running Clutch, Cat 4 Wings*	78#	\$	2,072
-38	1000 1-3/8", CV Main with Over-Running Clutch, Cat. 5 Wings*	78#	\$	2,395

You Must Choose One Guard

-40	Single Chains - Front & Rear	208#	\$	607
-41	Double Chains - Front & Rear	312#	\$	802

You Must Choose a Deck Ring Option

-60	No Deck Rings	0#	\$	0
-61	Deck Rings	163#	\$	539

You Must Choose a Fold Option

-65	Single-acting Fold Cylinders (1 hose)	75#	\$	565
-66	Dual-acting Fold Cylinders for Narrow Transport (2 hoses)	84#	\$	641
-67	Independent Single-acting Fold Cylinders (2 hose)	80#	\$	607
-68	Independent Dual-acting Fold Cylinders for Narrow Transport (4 hoses)	96#	\$	726

You Must Choose a Hitch Clevis Option

-70	Swivel Clevis Hitch	39#	\$	230
-72	Bar-tite Hitch	69#	\$	469
-73	Fixed Pintle Hitch	43#	\$	269
-74	Ball Hitch 2-5/16	28#	\$	194
-75	Performance Hitch, Self-leveling	62#	\$	355

You May Choose a Color Option (No Option=Buckskin)

-81	Green			N/C
-82	Orange			
-83	Red			
-86	Yellow			

You Must Choose a Blade Carrier Option

-90	Diamond Blade Bar	645#	\$	0
-91	Bolt-on Dishpans	769#	\$	206
-92	Welded Dishpans	771#	\$	113
-94	Shredder Kit, Stacked Blades	741#	\$	1,071

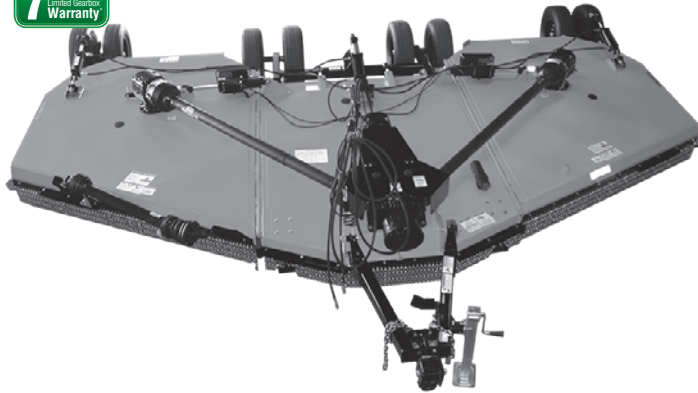
*Over-running clutch recommended for tractors with instant off PTO
^Gearbox HP rating is based on in field use and performance

WARNING! Rotary Cutters used in non-agricultural areas must be equipped with front & rear guards. The possibility of thrown objects can be hazardous to persons or property.

[RETURN TO INDEX](#)

RC4620 - 20' Heavy Duty Smooth Top

70-250 HP



Working Width: 20'
 Transport Width: 9' 11" Minimum
 Overall Width: 20' 10"
 Overall Length: 19' 3"
 Hitch: Pull-Type
 Tongue Jack
 Cutting Height*: 2" - 12"
 Cutting Capacity: 3"
 Deck Height: 13"
 Deck Thickness: 10 Gauge
 Side Skirt Thickness: 1/4"
 Gearbox Rating^: 250 HP Divider, 210 HP Center & Wings
 Gearbox: 540 or 1000 rpm
 Gearbox Input Shaft: 1 3/4" 20 Spline
 Gearbox Output Shaft: 2 3/8"

Input Driveline: Constant Velocity U-Joint Cat. 6, Splined
 540 or 1000 RPM
 Connecting Driveline: Cat. 5, Slip-Clutch
 Diamond Blade Bar with Optional Bolt-On
 Stump-Jumper: 3/16", Round, Dish Shaped
 Optional Shredder Kit
 Blades: 2 per Section, 1/2" x 4" Heat Treated
 Free Swinging Alloy Steel with Uplift
 Blade Bolt: Keyed with Hardened Flatwasher & Lock Nut
 Blade Overlap: 6"
 Blade Speed:
 540 rpm: 17,000 fpm; 1000 rpm: 18,000 fpm
 6 or 8 Wheel Option, with Spring-Cushioned Center Axle
 Tire Options:
 6" x 21" Laminated Tires
 29" x 9 x 15 Used Aircraft Tires
 27" x 7.75" x 15" Foam Filled Aircraft Tires
 Tapered Roller Bearings & Cast Iron 5-Bolt Hubs w/1 3/4" Shaft
 Wing Transport Locks
 Wing Hydraulics: 3" x 12" Cylinder, Hoses & Fittings
 Height Adjustments: Rephasing Cylinders, Hose, Fittings
 & Stroke Control Spacers
 Skid Shoes: Wings Reversible & Center, Both Replaceable
 Front and Rear Shielding: Single or Double Chain
 Optional Deck Rings - 1/2" x 3" Fully Welded
 Lights Standard

Cutters**SEE NEXT PAGE FOR PRICING.**

*^Gearbox HP rating is based on in field use and performance
 *Maximum cutting height id dependent on tire options selected.
 See pg. 50 for optional pricing and color options
 See pg. 69 for available hitches*

WARNING!
 Rotary Cutters used in non-agricultural areas must be equipped with front & rear guards. The possibility of thrown objects can be hazardous to persons or property.

RC4620 - 20' Heavy Duty Smooth Top

RETURN TO INDEX

70-250 HP



TO BUILD A UNIT NOT LISTED IN THE CONFIGURED UNIT PRICING, USE THE FOLLOWING.

MODEL NUMBER	DESCRIPTION	APPROX. MACHINE WEIGHT	LIST PRICE
RC4620	20' ROTARY CUTTER - 540 rpm	4610#	\$ 22,177
RCM4620	20' ROTARY CUTTER - 1000 rpm	4610#	\$ 22,177
ADD OPTION NUMBER			
<u>You MUST Choose One Front Guard</u>			
-01	Single Row Chain Guard (331-812A)	226#	\$ 584
-03	Double Row Chain Guard (331-833A)	248#	\$ 781
<u>Choose One Wheel & Axle Assembly</u>			
-12	6 ea. 21" Laminated Tail Wheels with Dual Center Axle	504#	\$ 1,532
-14	6 ea. 29" Used Airplane Tires with Dual Center Axle	656#	\$ 2,128
-20	8 ea. 21" Laminated Tail Wheels with Dual Center Dual Wing	624#	\$ 1,984
-22	8 ea. 29" Used Airplane Tires with Dual Center Dual Wing	790#	\$ 2,793
-23	6 ea. 27" FF Used AC Tires with Dual Center Axle	736#	\$ 3,517
-24	8 ea. 27" FF Used AC Tires with Dual Center Dual Wing	895#	\$ 4,745
<u>If 540 RPM - Choose One Driveline Package - Main Driveline - 1 3/8" - 6 Spline</u>			
-32	Main: Constant Velocity U-Joint, Cat. 6 Wing: Cat. 5 Slip-Clutch	75#	\$ 1,903
<u>If 1000 RPM - Choose One Driveline Package - Main Driveline</u>			
-32	Main: CV U-Joint, Cat. 6, 1 3/8" - 21 Spline Wing: Cat. 5 Slip-Clutch	75#	\$ 1,903
-33	Main: CV U-Joint, Cat. 6, 1 3/4" - 20 Spline Wing: Cat. 5 Slip-Clutch	75#	\$ 2,166
<u>You MUST Choose One Rear Guard</u>			
-41	Single Row Chain Guard (330-819A)	104#	\$ 407
-43	Double Row Chain Guard (330-820A)	112#	\$ 513
<u>You MUST You MUST Choose Deck Ring Option</u>			
-60	No Deck Rings	0#	\$ 0
-61	Deck Rings	300#	\$ 1,020
<u>You MUST Pick a Hitch Option</u>			
-70	Standard Clevis - Up & Down Swivel	54#	\$ 0
-72	Bar-Tite Clevis - Bolts & Clamps to Drawbar, Up, Down & Side to Side Swivel	68#	\$ 300
-73	Pintle Hitch	72#	\$ 134
-74	Ball Hitch	17#	\$ 517
-75	LP Performance Hitch	57#	\$ 278
<u>You May Choose a Color Option (No Option=Buckskin)</u>			
-81	Green		
-82	Orange		
-83	Red		
-86	Yellow		
<u>You MUST Choose a Blade Option</u>			
-90	Diamond Blade Bar	250#	\$ 1,730
-91	Diamond Blade Bar with Dishpan	675#	\$ 2,218
-92	Shredder Kit	458#	\$ 2,080

^Gearbox HP rating is based on in field use and performance

RC4614 - 14' Heavy Duty Smooth Top

[RETURN TO INDEX](#)

70-250 HP



Cutters

Working Width: 13' 6"
 Transport Width: 9' 11" Minimum
 Overall Width: 14' 8"
 Overall Length: 17' 6"
 Hitch: Pull-Type
 Tongue Jack
 Cutting Height*: 2" - 12"
 Cutting Capacity: 3"
 Deck Height: 13"
 Deck Thickness: 10 Gauge
 Side Skirt Thickness: 1/4"
 Gearbox Rating^: 250 HP Divider; 210 HP Center & Wings
 Gearbox: 540 or 1000 rpm
 Gearbox Input Shaft: 1 3/4" 20 Spline
 Gearbox Output Shaft: 2 3/8"

Input Driveline: Constant Velocity U-Joint Cat. 6, Splined
 540 or 1000 RPM
 Connecting Driveline: Cat. 5, Slip-Clutch
 Diamond Blade Bar with Optional Bolt-On
 Stump-Jumper: 3/16", Round, Dish Shaped
 Optional Shredder Kit
 Blades: 2 per Section, 1/2" x 4" Heat Treated
 Free Swinging Alloy Steel with Uplift
 Blade Bolt: Keyed with Hardened Flatwasher & Lock Nut
 Blade Overlap: 6"
 Blade Speed:
 540 rpm: Center: 17,000 fpm; 1000 rpm: 18,000 fpm
 5 or 6 Wheel Option, with Spring-Cushioned Center Axle
 Tire Options:
 6" x 21" Laminated Tires
 29" x 9 x 15 Used Aircraft Tires
 27" x 7.75" x 15" Foam Filled Aircraft Tires
 Tapered Roller Bearings & Cast Iron 5-Bolt Hubs w/1 3/4" Shaft
 Wing Transport Locks
 Wing Hydraulics: Rephasing Cylinders, Hoses & Fittings
 Height Adjustments: 3-1/2" x 8" Cylinder, Hose, Fittings
 & Stroke Control Spacers
 Skid Shoes: Wings Reversible & Center, Both Replaceable
 Front and Rear Shielding: Single or Double Chain
 Optional Deck Rings - 1/2" x 3" Fully Welded
 Lights Standard

SEE NEXT PAGE FOR PRICING.

*^Gearbox HP rating is based on in field use and performance
 Maximum cutting height id dependent on tire options selected.

See pg. 52 for optional pricing and color options

See pg. 69 for available hitches

WARNING!
 Rotary Cutters used in non-agricultural areas must be equipped with front & rear guards. The possibility of thrown objects can be hazardous to persons or property.

RC4614 - 14' Heavy Duty Smooth Top

RETURN TO INDEX

70-250 HP



TO BUILD A UNIT NOT LISTED IN THE CONFIGURED UNIT PRICING, USE THE FOLLOWING.

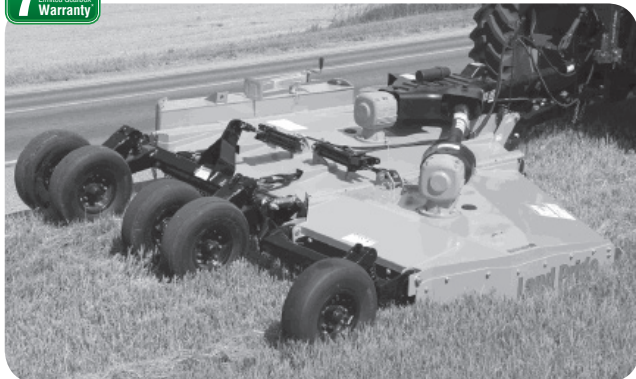
MODEL NUMBER	DESCRIPTION	APPROX. MACHINE WEIGHT	LIST PRICE
RC4614	14' ROTARY CUTTER - 540 rpm	4100#	\$ 18,440
RCM4614	14' ROTARY CUTTER - 1000 rpm	4100#	\$ 18,440
ADD OPTION NUMBER			
<u>You MUST Choose One Front Guard</u>			
-01	Single Row Chain Guard (331-834A)	141#	\$ 412
-03	Double Row Chain Guard (331-835A)	155#	\$ 573
<u>Choose One Wheel & Axle Assembly</u>			
-12	5 ea. 21" Laminated Tail Wheels with Dual Center Axle	480#	\$ 1,314
-14	5 ea. 29" Used Airplane Tires with Dual Center Axle	600#	\$ 1,569
-20	6 ea. 21" Laminated Tail Wheels with Dual Center Dual Wing	574#	\$ 1,537
-22	6 ea. 29" Used Airplane Tires with Dual Center Dual Wing	690#	\$ 1,842
-23	5 ea. 27" FF Used AC Tires with Dual Center Axle	636#	\$ 1,949
-24	6 ea. 27" FF Used AC Tires with Dual Center Dual Wing	695#	\$ 2,301
<u>If 540 RPM - Choose One Driveline Package - Main Driveline - 1 3/8" - 6 Spline</u>			
-32	Main: Constant Velocity U-Joint, Cat. 6 Wing: Cat. 5 Slip-Clutch	75#	\$ 1,637
<u>If 1000 RPM - Choose One Driveline Package - Main Driveline</u>			
-32	Main: CV U-Joint, Cat. 6, 1 3/8" - 21 Spline Wing: Cat. 5 Slip-Clutch	75#	\$ 1,637
-33	Main: CV U-Joint, Cat. 6, 1 3/4" - 20 Spline Wing: Cat. 5 Slip-Clutch	75#	\$ 1,861
<u>You MUST Choose One Rear Guard</u>			
-41	Single Row Chain Guard (330-902A)	79#	\$ 287
-43	Double Row Chain Guard (330-903A)	100#	\$ 364
<u>You MUST Choose Deck Ring Option</u>			
-60	No Deck Rings	0#	\$ 0
-61	Deck Rings	200#	\$ 676
<u>You MUST Pick a Hitch Option</u>			
-70	Standard Clevis - Up & Down Swivel	54#	\$ 0
-72	Bar-Tite Clevis - Bolts & Clamps to Drawbar, Up, Down & Side to Side Swivel	68#	\$ 300
-73	Pintle Hitch	72#	\$ 134
-74	Ball Hitch	17#	\$ 517
-75	LP Performance Hitch	57#	\$ 278
<u>You May Choose a Color Option (No Option=Buckskin)</u>			
-81	Green		
-82	Orange		
-83	Red		
-86	Yellow		
<u>You MUST Choose a Blade Option</u>			
-90	Diamond Blade Bar	170#	\$ 1,165
-91	Diamond Blade Bar with Dishpan	230#	\$ 1,431

^Gearbox HP rating is based on in field use and performance

RC5610 - 10' Heavy Duty Smooth Top

[RETURN TO INDEX](#)

50-250 HP

7 YEAR
Limited Gearbox
Warranty

Offset: Right Wing Model
 Working Width: 10'6"
 Transport Width: 7'6 $\frac{1}{2}$ " Minimum
 Overall Width: 11'7"
 Overall Length: 15'
 Hitch: Pull-Type, Self-Leveling Hitch & Clevis
 Clevis: Standard, Up & Down Swivel
 Tongue Weight: 1,860 lbs
 Tongue Jack
 Cutting Height: 2" - 14"
 Cutting Capacity: 4"
 Deck Height: 12"
 Deck Thickness: 7 Gauge Bottom, 10 Gauge Top
 Side Skirt Thickness: $\frac{1}{4}$ ", Replaceable

Gearbox Rating[^]: 250 Divider; 210 HP Center & Wing
 Gearbox: 540 or 1000 rpm
 Gearbox Input Shaft: 1 $\frac{3}{4}$ " 20 Spline
 Gearbox Output Shaft: 2 $\frac{3}{8}$ "
 *Weightbox on Left Side
 Wing Hydraulics: 3" x 8" Cylinder, Hoses & Fittings
 Height Adjustment: 3 $\frac{1}{2}$ " x 8" Cylinder, Hoses, Fittings & Stroke Control Spacers

Input Driveline: Constant Velocity U-Joint Cat. 6, Splined
 540 or 1000 RPM

Connecting Driveline Option: Cat. 4 or Cat. 5 Slip-Clutch

Stump-Jumper: $\frac{3}{16}$ ", Round, Dish Shaped

Blades: 2 per Section, $\frac{1}{2}$ " x 4" Heat Treated
 Free Swinging Alloy Steel with Uplift

Blade Bolt: Keyed with Hardened Flatwasher & Lock Nut

Blade Overlap: 6"

Blade Speed:

540 rpm: Center & Wings: 16,300 fpm

1000 rpm: Center: 16,300; Wings: 16,000 fpm

5 or 6 Wheels w/Individual Spring-Cushioned Wheel Arms

Optional Walking Tandem Axle (Center Axle Only)

Tire Options:

6" x 21" Laminated Tires,

29" x 7.7" x 15" Used Aircraft Tires

25.5" x 8" x 14" New 20-Ply Foam Filled Tires

Tapered Roller Bearings & Cast Iron 5-Bolt Hubs w/ 1 $\frac{3}{4}$ " Shaft

Wing Transport Locks

Skid Shoes: Wings - Reversible; Center

Front and Rear Shielding:

Single or Double Chain, w/ or w/o Cable, or Rubber Guard

Optional Deck Rings - $\frac{1}{2}$ " x 3" Fully Welded

Lights Standard

Cutters**SEE NEXT PAGE FOR PRICING.**

[^]Gearbox HP rating is based on in field use and performance
 See pg. 54 for additional accessories
 See pg. 69 for available hitches

**WARNING!**

Rotary Cutters used in non-agricultural areas must be equipped with front & rear guards. The possibility of thrown objects can be hazardous to persons or property.

RC5610 - 10' Heavy Duty Smooth Top

RETURN TO INDEX

50-250 HP



MODEL NUMBER	BASE UNIT	APPROX. MACHINE WEIGHT	LIST PRICE
RC5610	10' ROTARY CUTTER - OFFSET - 540 rpm	4334#	\$ 15,840
RCM5610	10' ROTARY CUTTER - OFFSET - 1000 rpm	4334#	\$ 15,920
ADD OPTION Choose One Front Guard			
-01	Single Row Chain Guard (330-512A)	183#	\$ 386
-02	Rubber Guard (330-513A)	125#	\$ 287
-03	Double Row Chain Guard (330-514A)	201#	\$ 549
-04	Double Row Chain Guard w/Cable (330-515A)	204#	\$ 596
Choose One Wheel & Axle Assembly			
-12	5 ea. 21" Laminated Tires, Dual Std. Axle Center, Single Wing	408#	\$ 2,397
-14	5 ea. 29" Used AC Tires, Dual Std. Axle Center, Single Wing	525#	\$ 2,658
-18	6 ea. 21" Laminated Tires, Walking Tandem Center/Wing	520#	\$ 2,789
-19	5 ea. 25.5 New Tires, Walking Tandem Center, Single Wing	575#	\$ 3,383
-23	5 ea. 25.5" New FF Tires, Dual Std. Axle Center, Single Wing	525#	\$ 3,061
-26	5 ea. 29" Used AC Tires, Walking Tandem Center, Single Wing	620#	\$ 2,950
-27	6 ea. 29" Used AC Tires, Walking Tandem Center/Wing	699#	\$ 3,122
-28	5 ea. 25.5" New FF Tires, Walking Tandem Center, Single Wing	816#	\$ 3,964
-29	6 ea. 25.5" New FF Tires, Walking Tandem Center/Wing	878#	\$ 4,392
IF 540 RPM - Choose One Driveline Package - Main Driveline - 1 3/8" - 6 Spline			
-32	Main: Constant Velocity U-Joint, Cat. 6 Wing: Cat. 4 Slip-clutch	75#	\$ 1,004
-34	Main: Constant Velocity U-Joint, Cat. 6 Wing: Cat. 5 Slip-clutch	75#	\$ 1,626
IF 1000RPM - Choose One Driveline Package - Main Driveline			
-32	Main: CV U-Joint, Cat. 6, 1 3/8" - 21 Spline Wing: Cat. 4 Slip-clutch	92#	\$ 1,004
-34	Main: CV U-Joint, Cat. 6, 1 3/8" -21 Spline Wing: Cat. 5 Slip-clutch	75#	\$ 1,626
-36	Main: CV U-Joint, Cat. 6, 1 3/4" -20 Spline Wing: Cat. 5 Slip-clutch	75#	\$ 1,766
Choose One Rear Guard			
-41	Single Row Chain Guard (330-524A)	83#	\$ 236
-42	Rubber Deflector (330-525A)	46#	\$ 149
-43	Double Row Chain Guard (330-526A)	89#	\$ 262
-44	Double Row Chain Guard w/Cable (330-527A)	92#	\$ 313
You May Choose			
-51	Winch used to fold wings manually (330-414A)	40#	\$ 616
-56	EU Light Kit (331-127A)	430#	\$ 2,600
You Must Choose a Deck Ring Option			
-60	No Deck Rings	0#	\$ 0
-61	Deck Rings	131#	\$ 511
You Must Pick a Hitch Clevis Option			
-70	Standard Clevis - Up & Down Swivel	54#	\$ 0
-72	Bar-Tite Clevis - Bolts & Clamps to Drawbar, Up, Down & Side to Side Swivel*	68#	\$ 300
-75	Performance Hitch - Self Leveling, Up, Down & Side to Side Swivel	57#	\$ 278
You May Choose A Color Option (No Option=Buckskin)			
-81	Green		
-82	Orange		
-83	Red		
-86	Yellow		

[^]Gearbox HP rating is based on in field use and performance

*Recommended for contract mowing

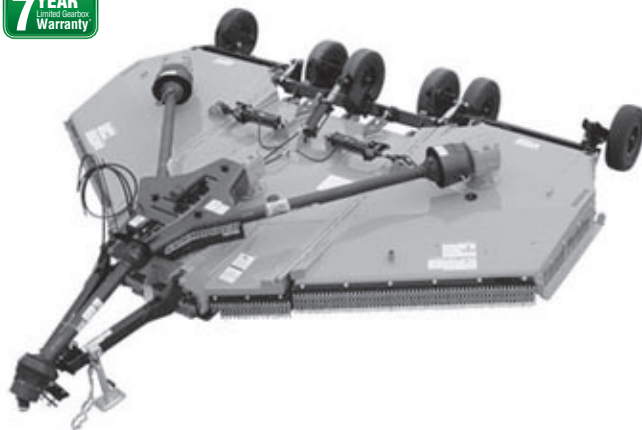
WARNING!
Rotary Cutters used in non-agricultural areas must be equipped with front & rear guards. The possibility of thrown objects can be hazardous to persons or property.

RETURN TO INDEX

RC5615 - 15' Heavy Duty Smooth Top

Cutters

50-250 HP



Gearbox Rating[^]: 250 HP Divider; 210 HP Center & Wings
 Gearbox: 540 rpm or 1000 rpm
 Gearbox Input Shaft: 1 3/4" 20 Spline
 Gearbox Output Shaft: 2 3/8"
 Input Driveline: Constant Velocity U-Joint Cat. 6, Splined
 540 or 1000 RPM
 Connecting Driveline: Choice of Cat. 4 or
 Cat. 5 Slip-Clutch
 Stump-Jumper: 3/16", Round, Dish Shaped
 Blades: 2 per Section, 1/2" x 4" Heat Treated
 Free Swinging Alloy Steel with Uplift
 Blade Bolt: Keyed with Hardened Flatwasher & Lock Nut
 Blade Overlap: 6"
 Blade Speed:
 Blade Speed:
 540 rpm: Center & Wings: 16,300 fpm
 1000 rpm: Center: 16,300; Wings: 16,000 fpm
 6 or 8 Wheel Option, Individual Spring-Cushioned Wheel Arms
 Optional Walking Tandem Axle (Center Axle Only)
 Tire Options:
 6" x 21" Laminated Tires
 29" x 7.7" x 15" Used Aircraft Tires
 25.5" x 8" x 14" New 20-Ply Foam Filled Tires
 Tapered Roller Bearings & Cast Iron 5-Bolt Hubs
 with 1 3/4" Shaft
 Wing Transport Locks
 Wing Hydraulics: 3" x 8" Cylinder, Hoses & Fittings
 Height Adjustments: 3 1/2" x 8" Cylinder, Hose,
 Fittings & Stroke Control Spacers
 Skid Shoes:
 Wings - Reversible, Center
 Front and Rear Shielding:
 Single or Double Chain, or Rubber Guard
 Optional Deck Rings - 1/2" x 3" Fully Welded
 Lights Standard

Working Width: 15'
 Transport Width: 9'1" Minimum
 Transport Height: 90"
 Overall Width: 16'
 Overall Length: 15'1"
 Hitch: Pull-Type, Self-Leveling Hitch & Clevis
 Clevis: Standard, Up and Down Swivel
 Tongue Weight: 1,860 lbs.
 Tongue Jack
 Cutting Height: 2" - 14"
 Cutting Capacity: 4"
 Deck Height: 12"
 Deck Thickness: 7 Gauge Bottom, 10 Gauge Top
 Side Skirt Thickness: 1/4", Replaceable

MODEL NUMBER	DESCRIPTION	APPROX. MACHINE WEIGHT	SHIPPING WEIGHT	LIST PRICE
RC5615-0112326070	15' ROTARY CUTTER - 540 rpm Single Front Chain Guard (01) 6 ea. Laminated Tires, Dual Axle (12) Constant Velocity Input Driveline, Cat. 6 (32) No Deck Rings (60) Standard Clevis (70)	5170#	5170#	\$ 23,249
RC5615-011232416070	15' ROTARY CUTTER - 540 rpm Single Front Chain Guard (01) 6 ea. Laminated Tires, Dual Axle (12) Constant Velocity Input Driveline, Cat. 6 (32) Single Rear Chain Guard (41) No Deck Rings (60) Standard Clevis (70)	5274#	5274#	\$ 23,576
RC5615-011432416070	15' ROTARY CUTTER - 540 rpm Single Front Chain Guard (01) 6 ea. Used Airplane Tires, Dual Axle (14) Constant Velocity Input Driveline, Cat. 6 (32) Single Rear Chain Guard (41) No Deck Rings (60) Standard Clevis (70)	5426#	5426#	\$ 23,889
For 1000 RPM on above units, change prefix to RCM and ADD				\$ 99

See pg. 56 for optional pricing and color options

See pg. 69 for available hitches

[^]Gearbox HP rating is based on in field use and performance

WARNING!

Rotary Cutters used in non-agricultural areas must be equipped with front & rear guards. The possibility of thrown objects can be hazardous to persons or property.

RC5615 - 15' Heavy Duty Smooth Top

RETURN TO INDEX

50-250 HP



TO BUILD A UNIT NOT LISTED IN THE CONFIGURED UNIT PRICING, USE THE FOLLOWING.

MODEL NUMBER	DESCRIPTION	APPROX. MACHINE WEIGHT	LIST PRICE
RC5615	15' ROTARY CUTTER - 540 rpm	4308#	\$ 18,568
RCM5615	15' ROTARY CUTTER - 1000 rpm	4308#	\$ 18,667
ADD OPTION NUMBER			
Choose One Front Guard			
-01	Single Row Chain Guard (330-279A)	226#	\$ 523
-02	Rubber Guard (330-314A)	155#	\$ 453
-03	Double Row Chain Guard (330-280A)	248#	\$ 671
-04	Double Row Chain Guard w/Cable (330-281A)	253#	\$ 746
Choose One Wheel & Axle Assembly			
-12	6 ea. 21" Laminated Tires, Dual Std. Axle Center, Single Wing	504#	\$ 2,946
-14	6 ea. 29" Used AC Tires, Dual Std. Axle Center, Single Wing	656#	\$ 3,259
-18	8 ea. 21" Laminated Tires, Walking Tandem Center/Wing	695#	\$ 3,548
-19	6 ea. 25.5 New Tires, Walking Tandem Center, Single Wing	561#	\$ 3,930
-23	6 ea. 25.5" New FF Tires, Dual Std. Axle Center, Single Wing	885#	\$ 3,736
-26	6 ea. 29" Used AC Tires, Walking Tandem Center, Single Wing	701#	\$ 3,376
-27	8 ea. 29" Used AC Tires, Walking Tandem Center/Wing	764#	\$ 3,938
-28	6 ea. 25.5" New FF Tires, Walking Tandem Center, Single Wing	916#	\$ 4,530
-29	8 ea. 25.5" New FF Tires, Walking Tandem Center/Wing	1078#	\$ 5,307
If 540 RPM - Choose One Driveline Package - Main Driveline - 1 3/8" - 6 Spline			
-32	Main: Constant Velocity U-Joint, Cat. 6 Wing: Cat. 4 Slip-Clutch	78#	\$ 1,212
-34	Main: Constant Velocity U-Joint, Cat. 6 Wing: Cat. 5 Slip-Clutch	78#	\$ 1,873
If 1000 RPM - Choose One Driveline Package - Main Driveline			
-32	Main: CV U-Joint, Cat. 6, 1 3/8" -21 Spline Wing: Cat. 4 Slip-Clutch	78#	\$ 1,212
-34	Main: CV U-Joint, Cat. 6, 1 3/8" -21 Spline Wing: Cat. 5 Slip-Clutch	78#	\$ 1,873
-35	Main: CV U-Joint, Cat. 6, 1 3/4" -20 Spline Wing: Cat. 4 Slip-Clutch	78#	\$ 1,379
-36	Main: CV U-Joint, Cat. 6, 1 3/4" -20 Spline Wing: Cat. 5 Slip-Clutch	78#	\$ 2,039
Choose One Rear Guard			
-41	Single Row Chain Guard (330-282A)	104#	\$ 327
-42	Rubber Deflector (330-315A)	58#	\$ 216
-43	Double Row Chain Guard (330-283A)	112#	\$ 457
-44	Double Row Chain Guard w/Cable (330-284A)	117#	\$ 531
You May Choose			
-51	Winch used to fold wings manually(330-414A)	40#	\$ 616
-56	EU Light Kit (331-009A)	445#	\$ 2,600
You May Choose Deck Ring Option			
-60	No Deck Rings	0#	\$ 0
-61	Deck Rings	200#	\$ 687
You Must Pick a Hitch Clevis Option			
-70	Standard Clevis - Up & Down Swivel	54#	\$ 0
-72	Bar-Tite Clevis - Bolts & Clamps to Drawbar, Up, Down & Side to Side Swivel***	68#	\$ 300
-75	Performance Hitch - Self Leveling, Up, Down & Side to Side Swivel	57#	\$ 278
You May Choose a Color Option (No Option=Buckskin)			
-81	Green		
-82	Orange		
-83	Red		
-86	Yellow		
You May Choose a Shredder Option			
-93	Shredder, Stacked Blades* ^A (331-648A)		\$ 0

*This kit will be factory installed when ordered with the cutter and this option number.

^A The Shredder and Fixed Blade replace the stumpjumper and blade configurations, which is figured in the base price.

**The Shredder Kit cannot be used in conjunction with Deck Rings.

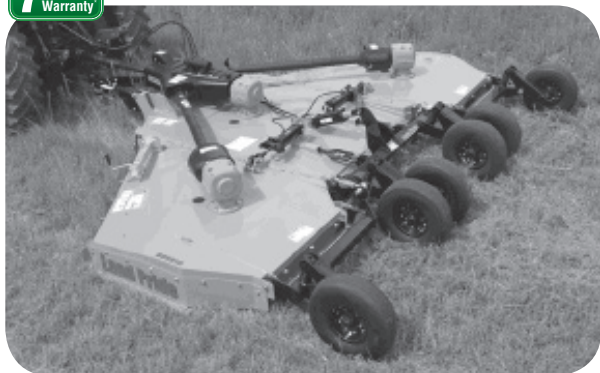
***Recommended for contract mowing.

[^]Gearbox HP rating is based on in field use and performance

[RETURN TO INDEX](#)

RC6615 - 15' Extra-Heavy Duty Smooth Top

50-250 HP

7 YEAR
Limited Gearbox
Warranty

Working Width: 15'
 Transport Width: 9'1" Minimum
 Overall Width: 15'8"
 Overall Length: 16'
 Hitch: Pull-Type, Self-Leveling Hitch & Standard Clevis
 Clevis: Standard, Up and Down Swivel
 Hitch Weight: 1,842 lbs
 Tongue Jack
 Cutting Height: 2" - 14"
 Cutting Capacity: 4 $\frac{1}{2}$ "
 Deck Height: 12"
 Deck Thickness: 7 Gauge Bottom, 10 Gauge Top
 Side Skirt Thickness: $\frac{1}{4}$ ", Replaceable

Gearbox Rating[^]: 250 HP Divider, 225 HP Center & Wings
 Gearbox: 540 rpm or 1000 rpm
 Gearbox Input Shaft: 1 $\frac{3}{4}$ " - 20 Spline
 Gearbox Output Shaft: 2 $\frac{3}{8}$ "
 Input Driveline: Constant Velocity U-Joint Cat. 6, Splined
 540 or 1000 RPM
 Connecting Driveline: Cat. 5 Slip-Clutch, Star Profile
 Stump-Jumper: $\frac{3}{16}$ ", Round, Dish Shaped,
 1" Steel Plate Support
 Blades: 2 per Section, $\frac{1}{2}$ " x 4" Heat Treated
 Free Swinging Alloy Steel with Uplift
 Blade Bolt: Keyed with Hardened Flatwasher & Lock Nut
 Blade Overlap: 6"
 Blade Speed:
 540 rpm: Center & Wings: 16,300 fpm
 1000 rpm: Center: 16,300; Wings: 16,000 fpm
 6 or 8 Wheel Option, Individual Spring-Cushioned Wheel Arms
 Optional Walking Tandem Axle (Center Axle Only)
 Tire Options:
 6" x 21" Laminated Tires
 29" x 7.7" x 15" Used Aircraft Tires
 25.5" x 8" x 14" New 20-Ply Foam Filled Tires
 Tapered Roller Bearings & Cast Iron 5-Bolt Hubs w/1 $\frac{3}{4}$ " Shaft
 Wing Transport Lock
 Wing Hydraulics: 3" x 8" Cylinder, Hoses & Fittings
 Height Adjustments: 3 $\frac{1}{2}$ " x 8" Cylinder, Hoses,
 Fittings & Stroke Control Spacers
 Skid Shoes: Wings Reversible & Center, Both Replaceable
 Front and Rear Shielding:
 Single or Double Chain, or Rubber Guard
 Optional Deck Rings - $\frac{1}{2}$ " x 3" Fully Welded
 Optional Green, Red, Yellow, or Orange Paint
 Lights Standard

Cutters**SEE NEXT PAGE FOR PRICING.**

See pg. 58 for optional pricing and color choices

See pg. 69 for Available Hitches

[^]Gearbox HP rating is based on in field use and performance**WARNING!**

Rotary Cutters used in non-agricultural areas must be equipped with front & rear guards. The possibility of thrown objects can be hazardous to persons or property.

RC6615 - 15' Extra-Heavy Duty Smooth Top

RETURN TO INDEX

50-250 HP



MODEL NUMBER	DESCRIPTION	APPROX. MACHINE WEIGHT	LIST PRICE
RC6615	15' ROTARY CUTTER - 540 rpm	4522#	\$ 21,915
RCM6615	15' ROTARY CUTTER - 1000 rpm	4522#	\$ 22,015
ADD OPTION			
NUMBER	Choose One Front Guard		
-01	Single Row Chain Guard (330-279A)	226#	\$ 523
-03	Double Row Chain Guard (330-280A)	248#	\$ 671
-04	Double Row Chain Guard w/Cable (330-281A)	253#	\$ 746
Choose One Wheel & Axle Assembly			
-12	6 ea. 21" Laminated Tires, Dual Std. Axle Center, Single Wing	504#	\$ 2,946
-14	6 ea. 29" Used AC Tires, Dual Std. Axle Center, Single Wing	656#	\$ 3,259
-18	8 ea. 21" Laminated Tires, Walking Tandem Center, Dual Wing	695#	\$ 3,548
-19	6 ea. 25.5 New Tires, Walking Tandem Center, Single Wing	561#	\$ 3,930
-23	6 ea. 25.5" New FF Tires, Dual Std. Axle Center, Single Wing	736#	\$ 3,736
-26	6 ea. 29" Used AC Tires, Walking Tandem Center, Single Wing	701#	\$ 3,376
-27	8 ea. 29" Used AC Tires, Walking Tandem Center, Dual Wing	764#	\$ 3,938
-28	6 ea. 25.5" New FF Tires, Walking Tandem Center, Single Wing	916#	\$ 4,530
-29	8 ea. 25.5" New FF Tires, Walking Tandem Center, Dual Wing	1078#	\$ 5,307
If 540 RPM - Choose One Driveline Package - Main Driveline - 1 3/8" - 6 Spline			
-34	Main: Constant Velocity U-Joint, Cat. 6 Wing: Cat. 5 Slip-Clutch	78#	\$ 1,873
If 1000 RPM - Choose One Driveline Package - Main Driveline			
-34	Main: CV U-Joint, Cat. 6, 1 3/8"-21 Spline Wing: Cat. 5 Slip-Clutch	78#	\$ 1,873
-36	Main: CV U-Joint, Cat. 6, 1 3/4"-20 Spline Wing: Cat. 5 Slip-Clutch	75#	\$ 2,039
Choose One Rear Guard			
-41	Single Row Chain Guard (330-282A)	104#	\$ 327
-43	Double Row Chain Guard (330-283A)	112#	\$ 457
-44	Double Row Chain Guard w/Cable (330-284A)	117#	\$ 531
You May Choose			
-51	Winch used to fold wings manually (330-414A)	40#	\$ 616
-56	EU Light Kit (331-009A)	445#	\$ 2,600
You Must Choose a Deck Ring Option			
-60	No Deck Rings	0#	\$ 0
-61	Deck Rings	200#	\$ 687
You Must Choose a Hitch Clevis Option			
-70	Standard Clevis - Up & Down Swivel	54#	\$ 0
-72	Bar-Tite Clevis - Bolts & Clamps to Drawbar Up & Down & Side to Side Swivel**	68#	\$ 300
-75	Performance Hitch - Self Leveling Up & Down & Side to Side Swivel	57#	\$ 278
You May Choose A Color Option (No Option=Buckskin)			
-81	Green		
-82	Orange		
-83	Red		
-86	Yellow		
You May Choose a Shredder Option			
-90	Shredder, Stacked Blades		\$ 0

*This kit will be factory installed when ordered with the cutter and this option number. It replaces the blade and stumpjumper configuration, which is priced in the base price. For separate pricing, see page 58.

**Recommended for contract moving.

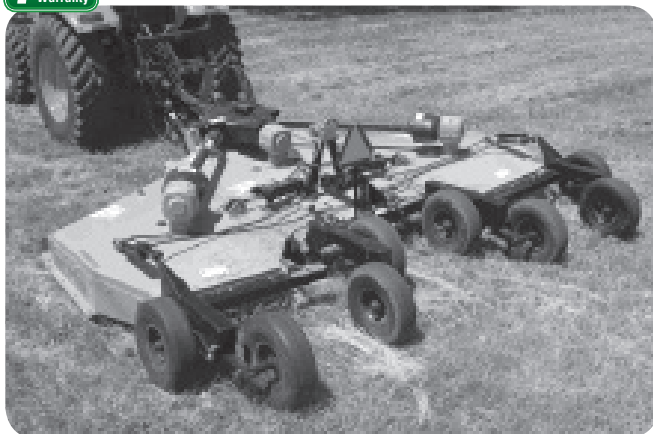
Gearbox HP rating is based on in field use and performance

WARNING!
Rotary Cutters used in non-agricultural areas must be equipped with front & rear guards. The possibility of thrown objects can be hazardous to persons or property.

[RETURN TO INDEX](#)

RCB6615 - 15' Extra-Heavy Duty Smooth Top with Rephasing Wing Axle Cylinders

50-250 HP

7 YEAR
Limited Gearbox
Warranty

Working Width: 15'
 Transport Width: 9'1" Minimum
 Overall Width: 15'8"
 Overall Length: 17'1"
 Hitch: Pull-Type, Self-Leveling Hitch & Standard Clevis
 Clevis: Standard, Up and Down Swivel
 Tongue Jack
 Cutting Height: 2" - 14"
 Cutting Capacity: 4 $\frac{1}{2}$ "
 Deck Height: 12"
 Deck Thickness: 7 Gauge Bottom, 10 Gauge Top
 Side Skirt Thickness: $\frac{1}{4}$ ", Replaceable
 Slow Moving Vehicle Sign

Gearbox Rating[^]: 250 HP Divider, 225 HP Center & Wings
 Gearbox: 540 or 1000 rpm
 Gearbox Input Shaft: 1 $\frac{3}{4}$ " - 20 Spline
 Gearbox Output Shaft: 2 $\frac{3}{8}$ "
 Input Driveline: Constant Velocity U-Joint Cat. 6, Splined
 540 or 1000 RPM
 Connecting Driveline: Cat. 5 Slip-Clutch,
 Stump-Jumper: $\frac{3}{16}$ ", Round, Dish Shaped,
 1" Steel Plate Support
 Blades: 2 per Section, $\frac{1}{2}$ " x 4" Heat Treated
 Free Swinging Alloy Steel with Uplift
 Blade Bolt: Keyed with Hardened Flatwasher & Lock Nut
 Blade Overlap: 6"
 Blade Speed:
 540 rpm: Center & Wings: 16,300 fpm
 1000 rpm: Center: 16,300; Wings: 16,000 fpm
 Individual Spring-Cushioned Wheel Arms
 Optional Walking Tandem Axles (Center & Wings)
 6 or 8 Wheel Option
 Tire Options:
 6" x 21" Laminated Tires
 29" x 7.7" x 15" Used Aircraft Tires
 25.5" x 8" x 14" New 20-Ply Foam Filled Tires
 Tapered Roller Bearings & Cast Iron 5-Bolt Hubs w/1 $\frac{3}{4}$ " Shaft
 Wing Transport Lock
 Wing Hydraulics: 3 $\frac{1}{2}$ " x 8" Cylinder, Hoses & Fittings
 Rephasing Wing Axle Cylinders
 Height Adjustments: 3 $\frac{1}{2}$ " x 8" Cylinder, Hoses,
 Fittings & Stroke Control Spacers
 Skid Shoes: Wings Reversible & Center, Both Replaceable
 Wing Skid Shoes: AR400 Steel
 Front and Rear Shielding:
 Single or Double Chain, Rubber Guard, or Dbl Chain w/Cable
 Optional Deck Rings - $\frac{1}{2}$ " x 3" Fully Welded
 Optional Green, Red, Yellow, or Orange Paint
 Lights Standard

Cutters

SEE NEXT PAGE FOR PRICING.[^]Gearbox HP rating is based on in field use and performance

See pg. 60 for optional pricing and color choices

See pg. 69 for Available Hitches

WARNING!


 Rotary Cutters used in non-agricultural areas must be equipped with front & rear guards. The possibility of thrown objects can be hazardous to persons or property.

RCB6615 - 15' Extra-Heavy Duty Smooth Top with Rephasing Wing Axle Cylinders

RETURN TO INDEX

50-250 HP



MODEL NUMBER	DESCRIPTION		APPROX. MACHINE WEIGHT	LIST PRICE
RCB6615	15' ROTARY CUTTER - 540 rpm	(330-279A)	4600#	\$ 25,951
RCBM6615	15' ROTARY CUTTER - 1000 rpm	(330-281A)	4600#	\$ 26,050
ADD OPTION NUMBER				
Choose One Front Guard				
-01	Single Row Chain Guard	(330-279A)	226#	\$ 523
-02	Rubber Guard	(330-314A)	155#	\$ 453
-03	Double Row Chain Guard	(330-280A)	248#	\$ 671
-04	Double Row Chain Guard w/Cable	(330-281A)	253#	\$ 746
Choose One Wheel & Axle Assembly				
-12	6 ea. 21" Laminated Tail Wheels		504#	\$ 2,946
-14	6 ea. 29" Used Airplane Tires		656#	\$ 3,259
-15	6 ea. 25.5" New Tires		656#	\$ 3,817
-22	8 ea. 29" Used Airplane Tires		736#	\$ 3,883
-23	6 ea. 25.5" New Foam Filled Tires		736#	\$ 3,736
-26	8 ea. 29" Used Airplane Tires w/Walking Tandem Center and Wing		836#	\$ 4,080
-27	8 ea. 21" Laminated Tailwheels w/Walking Tandem Center Axle and Wing		684#	\$ 3,977
-28	8 ea. 25.5" New Foam Filled Tires w/Walking Tandem Center Axle and Wing		916#	\$ 5,071
-29	8 ea. 25.5" New Tires w/Walking Tandem Center Axle and Wing		836#	\$ 5,031
If 540 RPM - Choose One Driveline Package - Main Driveline: 1 3/8" - 6 Spline				
-34	Main: Constant Velocity U-Joint, Cat. 6 Wing: Cat. 5 Slip-Clutch		78#	\$ 1,873
If 1000 RPM - Choose One Driveline Package - Main Driveline				
-34	Main: CV U-Joint, Cat. 6, 1 3/8"-21 Spline Wing: Cat. 5 Slip-Clutch		78#	\$ 1,873
-36	Main: CV U-Joint, Cat. 6, 1 3/4"-20 Spline Wing: Cat. 5 Slip-Clutch		75#	\$ 2,039
Choose One Rear Guard				
-41	Single Row Chain Guard	(330-282A)	104#	\$ 327
-42	Rubber Deflector	(330-315A)	58#	\$ 216
-43	Double Row Chain Guard	(330-283A)	112#	\$ 457
-44	Double Row Chain Guard w/Cable	(330-284A)	117#	\$ 531
You May Choose				
-51	Winch used to fold wings in a hydraulic failure (330-414A)		40#	\$ 616
You Must Choose a Deck Ring Option				
-60	No Deck Rings		0#	\$ 0
-61	Deck Rings		200#	\$ 687
You Must Choose a Hitch Clevis Option				
-70	Standard Clevis - Up & Down Swivel		54#	\$ 0
-72	Bar-Tite Clevis - Bolts & Clamps to Drawbar Up & Down & Side to Side Swivel		68#	\$ 300
-75	Performance Hitch - Self Leveling - Up, Down & Side to Side Swivel		57#	\$ 278
You May Choose A Color Option (No Option=Buckskin)				
-81	Green			
-82	Orange			
-83	Red			
-86	Yellow			
You May Choose a Shredder Option				
-90	Shredder, Stacked Blades* ^A			\$ 0

^AGearbox HP rating is based on in field use and performance

*This kit will be factory installed when ordered with the cutter and this option number. It replaces the blade and stumpjumper configuration, which is priced in the base price.

^A The Shredder Kit cannot be used in conjunction with Deck Rings.

WARNING!
Rotary Cutters used in non-agricultural areas must be equipped with front & rear guards. The possibility of thrown objects can be hazardous to persons or property.

RC6610- 10' Extra-Heavy Duty Offset

[RETURN TO INDEX](#)

Cutters

50-250 HP



Offset: Right Wing Model
 Working Width: 10'6"
 Transport Width: 7'6 1/2" Minimum
 Overall Width: 11'
 Overall Length: 16'5"
 Hitch: Pull-Type, Self-Leveling Hitch & Clevis
 Clevis: Standard, Up and Down Swivel
 Tongue Jack
 Cutting Height: 2" - 14"
 Cutting Capacity: 4 1/2"
 Deck Height: 12"
 Deck Thickness: 7 Gauge Bottom, 10 Gauge Top
 Side Skirt Thickness: 1/4", Replaceable

Gearbox Rating[^]: 250 HP Divider, 225 HP Center & Wing
 Gearbox: 540 or 1000 rpm
 Gearbox Input Shaft: 1 3/4" 20 Spline
 Gearbox Output Shaft: 2 3/8"
 *Weightbox on Left Side
 Wing Hydraulics: 3" x 8" Cylinder, Hoses & Fittings
 Height Adjustment: 3 1/2" x 8" Cylinder, Hoses, Fittings & Stroke Control Spacers
 Input Driveline: Constant Velocity U-Joint Cat. 6, Splined 540 or 1000 RPM
 Connecting Driveline: Cat. 4 or 5 w/Slip-Clutch
 Stump-Jumper: 3/16", Round, Dish Shaped, 1" Steel Plate Support
 Blades: 2 per Section, 1/2" x 4" Heat Treated Free Swinging Alloy Steel with Uplift
 Blade Bolt: Keyed with Hardened Flatwasher & Lock Nut
 Blade Overlap: 6"
 Blade Speed:
 540 rpm: Center & Wings: 16,300 fpm
 1000 rpm: Center: 16,300; Wings: 16,000 fpm
 5 Wheels: 4 center, 1 wing, bolt in spindles
 6 Wheels: 4 center, 2 wing, bolt in spindles
 Individual Spring Cushioned Wheel Arms
 Tire Options: 6" x 21" Laminated Tires
 29" x 7.7" x15" Used Aircraft Tires
 25.5" x 8" x 14" New 20-Ply Foam Filled Tires
 Tapered Roller Bearings & Cast Iron 5-Bolt Hubs w/1 3/4" Shaft
 Wing Transport Locks
 Skid Shoes: Wing and Main, Replaceable
 Front & Rear Shielding:
 Single or Double Chain, or Rubber Guard
 Optional Deck Rings - 1/2" x 3" Fully Welded
 Lights Standard

SEE NEXT PAGE FOR PRICING.

[^]Gearbox HP rating is based on in field use and performance
 See pg. 62 for additional accessories
 See pg. 69 for available hitches

WARNING!
 Rotary Cutters used in non-agricultural areas must be equipped with front & rear guards. The possibility of thrown objects can be hazardous to persons or property.

RC6610 - 10' Extra-Heavy Duty Offset

RETURN TO INDEX

50-250 HP



MODEL NUMBER	BASE UNIT	APPROX. MACHINE WEIGHT	LIST PRICE
RC6610	10' ROTARY CUTTER - OFFSET - 540 rpm	4432#	\$ 18,643
RCM6610	10' ROTARY CUTTER - OFFSET - 1000 rpm	4432#	\$ 18,728
ADDOPTION NO.	Choose One Front Guard		
-01	Single Row Chain Guard (330-512A)	183#	\$ 386
-02	Rubber Guard (330-513A)	125#	\$ 287
-03	Double Row Chain Guard (330-514A)	201#	\$ 549
-04	Double Row Chain Guard w/Cable (330-515A)	204#	\$ 596
	Choose One Wheel & Axle Assembly		
-12	5 ea. 21" Laminated Tires, Dual Std. Axle Center, Single Wing	408#	\$ 2,397
-14	5 ea. 29" Used AC Tires, Dual Std. Axle Center, Single Wing	525#	\$ 2,658
-18	6 ea. 21" Laminated Tires, Walking Tandem Center/Wing	520#	\$ 2,789
-19	5 ea. 25.5" New Tires, Walking Tandem Center, Single Wing	575#	\$ 3,383
-23	5 ea. 25.5" New FF Tires, Dual Std. Axle Center, Single Wing	525#	\$ 3,061
-26	5 ea. 29" Used AC Tires, Walking Tandem Center, Single Wing	620#	\$ 2,950
-27	6 ea. 29" Used AC Tires, Walking Tandem Center/Wing	699#	\$ 3,122
-28	5 ea. 25.5" New FF Tires, Walking Tandem Center, Single Wing	816#	\$ 3,964
-29	6 ea. 25.5" New FF Tires, Walking Tandem Center/Wing	878#	\$ 4,392
	Choose One Driveline Package		
-34	Constant Velocity U-Joint - 540 rpm Cat. 6 1-3/8" - 6 Spline	75#	\$ 1,626
-34	Constant Velocity U-Joint - 1000 rpm Cat. 6 1-3/8" - 21 Spline	75#	\$ 1,626
-36	Constant Velocity U-Joint - 1000 rpm Cat. 6 1-3/4" - 20 Spline	75#	\$ 1,766
	Choose One Rear Guard		
-41	Single Row Chain Guard (330-524A)	83#	\$ 236
-42	Rubber Deflector (330-525A)	46#	\$ 149
-43	Double Row Chain Guard (330-526A)	89#	\$ 262
-44	Double Row Chain Guard w/Cable (330-527A)	92#`	\$ 313
	You May Choose		
-51	Winch used to fold wings in a hydraulic failure (330-414A)	40#	\$ 616
-56	EU Light Kit (331-127A)	430#	\$ 2,600
	You Must Choose a Deck Ring Option		
-60	No Deck Rings	0#	\$ 0
-61	Deck Rings	131#	\$ 511
	You Must Choose a Hitch Clevis Option		
-70	Standard Clevis - Up & Down Swivel	77#	\$ 0
-72	Bar-Tite Clevis - Bolts & Clamps to Drawbar Up, Down & Side to Side Swivel*	68#	\$ 300
-75	Performance Hitch - Self Leveling - Up, Down & Side to Side Swivel	60#	\$ 278
	You May Choose A Color Option (No Option=Buckskin)		
-81	Green		
-82	Orange		
-83	Red		
-86	Yellow		

[^]Gearbox HP rating is based on in field use and performance

*Recommended for contract mowing.

WARNING! Rotary Cutters used in non-agricultural areas must be equipped with front & rear guards. The possibility of thrown objects can be hazardous to persons or property.

RETURN TO INDEX

**RCB6610- 10' Extra-Heavy Duty Offset
with Right Wing Rephasing Cylinder Axle**

50-250 HP



Offset: Right Wing Model
 Working Width: 10'6"
 Transport Width: 8' Minimum
 Overall Width: 11'
 Overall Length: 15'1"
 Hitch: Pull-Type, Self-Leveling Hitch & Clevis
 Clevis: Standard, Up and Down Swivel
 Tongue Jack
 Cutting Height: 2" - 14"
 Cutting Capacity: 4¹/₂"
 Deck Height: 12"
 Deck Thickness: 7 Gauge Bottom, 10 Gauge Top
 Side Skirt Thickness: 1/4", Replaceable
 Gearbox Rating[^]: 250 HP Divider, 225 HP Center & Wing
 Gearbox: 540 or 1000 rpm
 Gearbox Input Shaft: 1³/₄" 20 Spline

Gearbox Output Shaft: 2³/₈"
 *Weightbox on Left Side
 Wing Hydraulics: 3" x 12" Cylinder, Hoses & Fittings
 Height Adjustment: 3¹/₂" x 8" Cylinder, Hoses, Fittings & Stroke Control Spacers
 Input Driveline: Constant Velocity U-Joint Cat. 6, Splined 540 or 1000 RPM
 Connecting Driveline: Cat. 5 Slip-Clutch, Star Profile
 Stump-Jumper: 3/16", Round, Dish Shaped, 1" Steel Plate Support
 Blades: 2 per Section, 1/2" x 4" Heat Treated Free Swinging Alloy Steel with Uplift
 Blade Bolt: Keyed with Hardened Flatwasher & Lock Nut
 Blade Overlap: 6"
 Blade Speed:
 540 rpm: Center & Wings: 16,300 fpm
 1000 rpm: Center: 16,300; Wings: 16,000 fpm
 5 Wheels: 4 center, 1 wing, bolt in spindles
 6 Wheels: 4 center, 2 wing, bolt in spindles
 Spring-Cushioned Transport Axle w/Optional Walking Tandem
 Tire Options: 6" x 21" Laminated Tires
 29" x 7.7" x15" Used Aircraft Tires
 25.5" x 8" x 14" New 20-Ply Foam Filled Tires
 Tapered Roller Bearings & Cast Iron 5-Bolt Hubs w/1³/₄" Shaft
 Wing Transport Locks
 Skid Shoes: Wing and Main, Replaceable
 Front & Rear Shielding:
 Single or Double Chain, or Rubber Guard
 Optional Deck Rings - 1/2" x 3" Fully Welded
 Lights Standard

Cutters

SEE NEXT PAGE FOR PRICING.[^]Gearbox HP rating is based on in field use and performance

See pg. 64 for additional accessories

See pg. 69 for available hitches



RCB6610 - 10' Extra-Heavy Duty Offset with Right Wing Rephasing Cylinder Axle

RETURN TO INDEX

50-250 HP



MODEL NUMBER	BASE UNIT	APPROX. MACHINE WEIGHT	LIST PRICE
RCB6610	10' ROTARY CUTTER - OFFSET - 540 rpm	4795#	\$ 22,075
RCBM6610	10' ROTARY CUTTER - OFFSET - 1000 rpm	4795#	\$ 22,176
ADDOPTION NO.	Choose One Front Guard		
-01	Single Row Chain Guard (330-512A)	183#	\$ 386
-02	Rubber Guard (330-513A)	125#	\$ 287
-03	Double Row Chain Guard (330-514A)	201#	\$ 549
-04	Double Row Chain Guard w/ Cable (330-515A)	204#	\$ 596
	Choose One Wheel & Axle Assembly		
-12	5 ea. 21" Laminated Tail Wheels	408#	\$ 2,397
-14	5 ea. 29" Used Airplane Tires	525#	\$ 2,658
-15	5 ea. 25.5" Recapped Airplane Tires	525#	\$ 3,182
-22	6 ea. 29" Used Airplane Tires	565#	\$ 3,014
-23	5 ea. 25.5" New Foam Filled Tires	740#	\$ 3,061
-26	6 ea. 29" Used Airplane Tires w/Walking Tandem Center and Wing Axle	701#	\$ 3,139
-27	6 ea. 21" Laminated Tires w/Walking Tandem Center and Wing Axle	584#	\$ 3,014
-28	6 ea. 25.5" New Foam Filled Tires w/Walking Tandem Ctr & Wing Axle	732#	\$ 3,902
-29	6 ea. 25.5" New Tires w/Walking Tandem Center and Wing Axle	669#	\$ 3,872
	Choose One Driveline Package		
-34	Constant Velocity U-Joint - 540 rpm Cat. 6 1-3/8" - 6 Spline	75#	\$ 1,626
-34	Constant Velocity U-Joint - 1000 rpm Cat. 6 1-3/8" - 21 Spline	75#	\$ 1,626
-36	Constant Velocity U-Joint - 1000 rpm Cat. 6 1-3/4" - 20 Spline	75#	\$ 1,766
	Choose One Rear Guard		
-41	Single Row Chain Guard (330-046A)	83#	\$ 233
-42	Rubber Deflector (330-047A)	46#	\$ 147
-43	Double Row Chain Guard (330-048A)	89#	\$ 259
	You May Choose		
-51	Winch used to fold wings in a hydraulic failure (330-295A)	40#	\$ 616
	You Must Choose a Deck Ring Option		
-60	No Deck Rings	0#	\$ 0
-61	Deck Rings	131#	\$ 464
	You Must Choose a Hitch Clevis Option		
-70	Standard Clevis - Up & Down Swivel	54#	\$ 0
-72	Bar-Tite Clevis - Bolts & Clamps to Drawbar Up, Down & Side to Side Swivel	68#	\$ 300
-75	Performance Hitch - Self Leveling - Up, Down & Side to Side Swivel	57#	\$ 278
	You May Choose A Color Option (No Option=Buckskin)		
-81	Green		
-82	Orange		
-83	Red		
-86	Yellow		

[^]Gearbox HP rating is based on in field use and performance

WARNING! Rotary Cutters used in non-agricultural areas must be equipped with front & rear guards. The possibility of thrown objects can be hazardous to persons or property.

RC5014-2 - 14' Heavy Duty Offset

[RETURN TO INDEX](#)

90-250 HP



Working Width: 14'
 Transport Width: 8' 9"
 Overall Width: 15'
 Overall Length: 19' 3"
 Hitch: Pull-Type, Self-Leveling Hitch, Clevis Hitch,
 Pintle Hitch, Bar-Tite Hitch
 Tongue Jack
 Cutting Height*: 2" - 14"
 Cutting Capacity: 3"
 Deck Height: 10¹/₂"
 Deck Thickness: 10 Gauge
 Side Skirt Thickness: 1¹/₄"

Gearbox Rating[^]: 250 HP Divider, 225 HP Center & Wings
 Gearbox: 540 or 1000 rpm
 Gearbox Input Shaft: 1³/₄" 20 Spline
 Gearbox Output Shaft: 2³/₈"
 Input Driveline: Constant Velocity U-Joint Cat. 6, Splined
 540 or 1000 RPM
 Connecting Driveline: Cat. 5 Slip-Clutch
 Stump-Jumper: 3³/₁₆", Round, Dish Shaped (Optional)
 Diamond Blade Bar
 Blades: 2 per Section, 1¹/₂" x 4" Heat Treated
 Free Swinging Alloy Steel with Uplift
 Blade Bolt: Keyed with Hardened Flatwasher & Lock Nut
 Blade Overlap: 6"
 Blade Speed:
 540 rpm: Center: 17,377 fpm, Wings: 17,329 fpm
 1000 rpm: Center: 18,165 fpm, Wings: 18,317 fpm
 5 or 6 Wheel Option, with Spring-Cushioned Center Axle
 Tire Options:
 29" Used Aircraft Tires
 6" x 21" Laminated Tires, 6" x 26" Laminated
 27" x 7.75-15 Aircraft Tires w/ Foam
 Tapered Roller Bearings & Cast Iron 5-Bolt Hubs w/1³/₄" Shaft
 Wing Transport Locks
 Wing Hydraulics: 3¹/₂" x 12" Cylinder, Hoses & Fittings
 Height Adjustments: 4" x 8" Cylinder, Hose, Fittings
 & Stroke Control Spacers
 Skid Shoes: Wings Reversible & Center, Both Replaceable
 Front and Rear Shielding: Single or Double Chain
 Optional Deck Rings - 1¹/₂" x 3" Fully Welded
 Lights Standard

For 1000 RPM, change prefix to RCM**SEE NEXT PAGE FOR PRICING.**

[^]Gearbox HP rating is based on in field use and performance
 *Maximum cutting height id dependent on tire options selected.
 See pg. 66 for optional pricing and color option
 See pg. 69 for available hitches

**WARNING!**

Rotary Cutters used in non-agricultural areas must be equipped with front & rear guards. The possibility of thrown objects can be hazardous to persons or property.

RC5014-2 - 14' Heavy Duty Offset[RETURN TO INDEX](#)**TO BUILD A UNIT NOT LISTED IN CONFIGURED UNIT PRICING, USE THE FOLLOWING.**

MODEL NUMBER	DESCRIPTION	APPROX. MACHINE WT	LIST PRICE
RC5014-2	14' HEAVY DUTY OFFSET ROTARY CUTTER - 540 rpm	5668#	\$ 19,775
RCM5014-2	14' HEAVY DUTY OFFSET ROTARY CUTTER - 1000 rpm	5668#	\$ 19,775
ADD OPTION <u>You Must Choose One Front Guard</u>			
-01	Single Row Chain Guard (318-816A)	141#	\$ 423
-03	Double Row Chain Guard (318-818A)	155#	\$ 589
<u>You Must Choose One Wheel & Axle Assembly</u>			
-10	26" Laminate, 4 Center, Single Wing	953#	\$ 2,884
-11	26" Laminate, 4 Center, Dual Wing	1067#	\$ 3,224
-12	21" Laminate, 4 Center, Single Wing	763#	\$ 2,225
-14	27" Foam Filled Aircraft, 4 Center, Single Wing	1039#	\$ 3,693
-15	21" Laminate, 4 Walking Tandem Center, Single Wing	862#	\$ 2,781
-16	21" Laminate, 4 Walking Tandem Center, Dual Wing	938#	\$ 2,997
-17	27" Foam Filled Aircraft, 4 Walking Tandem Center, Single Wing	1137#	\$ 4,264
-18	27" Foam Filled Aircraft, 4 Walking Tandem Center, Dual Wing	1268#	\$ 4,759
-20	21" Laminate, 4 Standard Center, Dual Wing	839#	\$ 2,441
-22	27" Foam Filled Aircraft, 4 Standard Center, Dual Wing	1169#	\$ 4,202
-23	29" Aircraft, 4 Standard Center, Single Wing	874#	\$ 3,131
-24	29" Aircraft, 4 Standard Center, Dual Wing	854#	\$ 2,853
-25	29" Aircraft, 4 Walking Tandem Center, Single Wing	874#	\$ 3,136
-26	29" Aircraft, 4 Walking Tandem Center, Dual Wing	952#	\$ 3,399
-27	26" Laminate, Walking Tandem Center, Std Single Wing	1052#	\$ 3,451
-28	26" Laminate, Walking Tandem Center, Std Dual Wing	1165#	\$ 3,790
<u>You Must Choose One Driveline Package</u>			
-32	Constant Velocity U-Joint - Cat. 6, 540 rpm - 1-3/8" - 6 Splines	78#	\$ 1,637
-38	Consant Velocity U-Joint w/Over-Running Clutch - Cat. 6, 540 rpm 1-3/4" - 6 Splines	78#	\$ 1,815
-32	Constant Velocity U-Joint - Cat. 6, 1000 rpm - 1-3/8" - 21 Splines	78#	\$ 1,637
-33	Consant Velocity U-Joint - Cat. 6, 1000 rpm - 1-3/4" - 20 Splines	78#	\$ 1,861
-38	Consant Velocity U-Joint w/Over-Running Clutch - Cat. 6, 1000 rpm 1-3/4" - 21 Splines	78#	\$ 1,815
<u>You Must Choose One Rear Guard</u>			
-41	Single Row Chain Guard (318-823A)	79#	\$ 295
-43	Double Row Chain Guard (318-825A)	100#	\$ 374
<u>You Must Choose Deck Rings or No Deck Rings</u>			
-60	No Deck Rings	0#	\$ 0
-61	Deck Rings	131#	\$ 687
<u>You Must Choose A Hitch Clevis Option</u>			
-70	Standard Clevis	54#	\$ 0
-72	Bar-Tite Hitch	68#	\$ 300
-73	Pintle Hitch	43#	\$ 134
-75	Performance Hitch - Self Leveling, Up, Down & Side to Side Swivel	57#	\$ 278
<u>You May Choose A Color Option (No Option=Buckskin)</u>			
-81	Green		
-82	Orange		
-83	Red		
-86	Yellow		
<u>You Must Choose A Blade Option</u>			
-90	Diamond Blade Bar	300#	\$ 932
-91	Diamond Blade Bar with Dishpan	455#	\$ 1,251

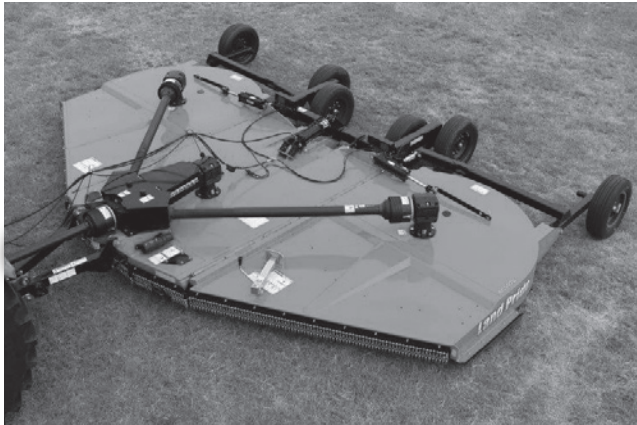
See page 70 for additional accessories. ^Gearbox HP rating is based on in field use and performance

RC5020-2 - 20' Heavy Duty

[RETURN TO INDEX](#)

Cutters

90-250 HP



Working Width: 20'
 Transport Width: 8' 9"
 Overall Width: 20' 9 1/2"
 Overall Length: 19' 3"
 Hitch: Pull-Type, Self-Leveling Hitch, Clevis Hitch, Pintle Hitch, Bar-Tite Hitch
 Tongue Jack
 Cutting Height: 2" - 14"
 Cutting Capacity: 3"
 Deck Height: 10 1/2"
 Deck Thickness: 10 Gauge
 Side Skirt Thickness: 1/4"

Gearbox Rating^: 250 HP Divider, 225 HP Center & Wings
 Gearbox: 540 or 1000 rpm
 Gearbox Input Shaft: 1 3/4" 20 Spline
 Gearbox Output Shaft: 2 3/8"
 Input Driveline: Constant Velocity U-Joint Cat. 6, Splined 540 or 1000 RPM
 Connecting Driveline: Cat. 5 Slip-Clutch
 Stump-Jumper: 3/16", Round, Dish Shaped (Optional)
 Diamond Blade Bar
 Blades: 2 per Section, 1/2" x 4" Heat Treated Free Swinging Alloy Steel with Uplift
 Blade Bolt: Keyed with Hardened Flatwasher & Lock Nut
 Blade Overlap: 6"
 Blade Speed:
 540 rpm: Center: 17,377 fpm, Wings: 17,329 fpm
 1000 rpm: Center: 18,165 fpm, Wings: 18,317 fpm
 6 or 8 Wheel Option, with Spring-Cushioned Center Axle
 Tire Options:
 29" Used Aircraft Tires
 6" x 21" Laminated Tires, 6" x 26" Laminated
 27" x 7.75-15 Aircraft Tires w/ Foam
 Tapered Roller Bearings & Cast Iron 5-Bolt Hubs w/1 3/4" Shaft
 Wing Transport Locks
 Wing Hydraulics: 3 1/2" x 12" Cylinder, Hoses & Fittings
 Height Adjustments: 4" x 8" Cylinder, Hose, Fittings & Stroke Control Spacers
 Skid Shoes: Wings Reversible & Center, Both Replaceable
 Front and Rear Shielding: Single or Double Chain
 Optional Deck Rings - 1/2" x 3" Fully Welded
 Lights Standard

For 1000 RPM, change prefix to RCM

MODEL NUMBER	DESCRIPTION	APPROX. MACHINE WEIGHT	SHIPPING WEIGHT	LIST PRICE
RC5020 -2 -01-12-32-41-60-70-91	20' HEAVY DUTY ROTARY CUTTER - 540 rpm Front Chains (01) 6- 21" Laminated Tires (12) CV Driveline with Cat 4 Wings (32) Rear Chains (41) Without Deck Rings (60) Clevis Hitch (70) Diamond Blade Bar with Dishpan (91)	6582#	6582#	\$ 31,409
RC5020-2 -01-14-32-41-60-70-91	20' HEAVY DUTY ROTARY CUTTER - 540 rpm Front Chains (01) 6- 27" Aircraft Tires (14) CV Driveline with Cat 4 Wings (32) Rear Chains (41) Without Deck Rings (60) Clevis Hitch (70) Diamond Blade Bar with Dishpan (91)	6734#	6734#	\$ 33,190

*^Gearbox HP rating is based on in field use and performance
 *Maximum cutting height id dependent on tire options selected.
 See pg. 68 for optional pricing and color option
 See pg. 69 for available hitches*

WARNING!
 Rotary Cutters used in non-agricultural areas must be equipped with front & rear guards. The possibility of thrown objects can be hazardous to persons or property.

RC5020-2 - 20' Heavy Duty

RETURN TO INDEX

TO BUILD A UNIT NOT LISTED IN CONFIGURED UNIT PRICING, USE THE FOLLOWING.

MODEL NUMBER	DESCRIPTION	APPROX. MACHINE WT	LIST PRICE
RC5020-2	20' HEAVY DUTY ROTARY CUTTER - 540 rpm	5462#	\$ 24,218
RCM5020-2	20' HEAVY DUTY ROTARY CUTTER - 1000 rpm	5462#	\$ 24,218
ADD OPTION <u>You Must Choose One Front Guard</u>			
-01	Single Row Chain Guard (318-439A)	211#	\$ 584
-03	Double Row Chain Guard (318-482A)	233#	\$ 781
<u>You Must Choose One Wheel & Axle Assembly</u>			
-10	26" Laminate, 4 Center, Single Wings	1134#	\$ 3,261
-11	26" Laminate, 4 Center, Dual Wings	1302#	\$ 3,983
-12	21" Laminate, 4 Center, Single Wings	1034#	\$ 2,476
-14	27" Foam Filled Aircraft, 4 Center, Single Wing	1102#	\$ 4,257
-15	21" Laminate, 4 Walking Tandem Center, Single Wings	1132#	\$ 3,094
-16	21" Laminate, 4 Walking Tandem Center, Dual Wings	1412#	\$ 3,552
-17	27" Foam Filled Aircraft, 4 Walking Tandem Center, Single Wings	1200#	\$ 4,941
-18	27" Foam Filled Aircraft, 4 Walking Tandem Center, Dual Wings	1548#	\$ 6,006
-20	21" Laminate, 4 Standard Center, Dual Wings	1314#	\$ 2,927
-22	27" Foam Filled Aircraft, 4 Standard Center, Dual Wings	1450#	\$ 5,365
-23	29" Aircraft, 4 Standard Center, Single Wings	1186#	\$ 2,927
-24	29" Aircraft, 4 Standard Center, Dual Wings	1331#	\$ 3,514
-25	29" Aircraft, 4 Walking Tandem Center, Single Wings	1284#	\$ 3,552
-26	29" Aircraft, 4 Walking Tandem Center, Dual Wings	1428#	\$ 4,149
-27	26" Laminate, Walking Tandem Center, Std Single Wings	1232#	\$ 3,821
-28	26" Laminate, Walking Tandem Center, Std Dual Wings	1512#	\$ 4,542
<u>You Must Choose One Driveline Package</u>			
-32	Constant Velocity U-Joint - Cat. 6, 540 rpm - 1-3/8" - 6 Spline	78#	\$ 1,903
-38	Consant Velocity U-Joint w/Over-Running Clutch - Cat. 6, 540 rpm 1-3/4" - 6 Spline	78#	\$ 2,112
-32	Constant Velocity U-Joint - Cat. 6, 1000 rpm - 1-3/8" - 21 Spline	78#	\$ 1,903
-33	Consant Velocity U-Joint - Cat. 6, 1000 rpm - 1-3/4" - 20 Spline	78#	\$ 2,166
-38	Consant Velocity U-Joint w/Over-Running Clutch - Cat. 6, 1000 rpm 1-3/4" - 21 Spline	78#	\$ 2,112
<u>You Must Choose One Rear Guard</u>			
-41	Single Row Chain Guard (318-440A)	119#	\$ 419
-43	Double Row Chain Guard (318-484A)	150#	\$ 528
<u>You May Choose Baffles</u>			
-45	Rear Baffles	209#	\$ 455
-51	Front Baffles	209#	\$ 848
<u>You Must Choose Deck Rings or No Deck Rings</u>			
-60	No Deck Rings	0#	\$ 0
-61	Deck Rings	200#	\$ 1,034
<u>You Must Choose A Hitch Clevis Option</u>			
-70	Standard Clevis	54#	\$ 0
-72	Bar-Tite Hitch	68#	\$ 300
-73	Pintle Hitch	43#	\$ 134
-75	Performance Hitch - Self Leveling, Up, Down & Side to Side Swivel	57#	\$ 278
<u>You May Choose A Color Option (No Option=Buckskin)</u>			
-81	Green		
-82	Orange		
-83	Red		
-86	Yellow		
<i>See pg. 69 for available hitches</i>			
<u>You Must Choose A Blade Option</u>			
-90	Diamond Blade Bar	450#	\$ 1,415
-91	Diamond Blade Bar with Dishpan	682#	\$ 1,809
-92	Shredder with Fixed Blades	575#	\$ 2,303

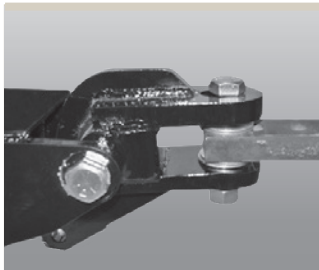
Hitch Options - Folding/Offset Cutters

Cutters



Swivel Clevis

- Swivels



Self-Leveling Hitch

- Self-leveling



LP Performance Hitch

- Self-leveling
- Swivels up and down, and rotates side to side for uneven terrain
- Held upright by hitch pin to allow for single person hook-up
- Reduces drawbar wear



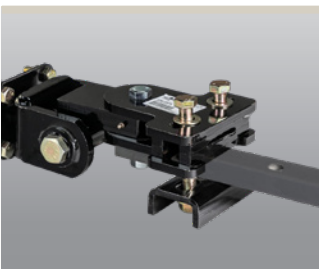
Ball Hitch

- Swivels over the 2-5/16" tractor mounted ball



Pintle Hitch

- Swivels on the pintle connection
- Ideal for a drawbar hammer strap



Bar-Tite™ Clevis

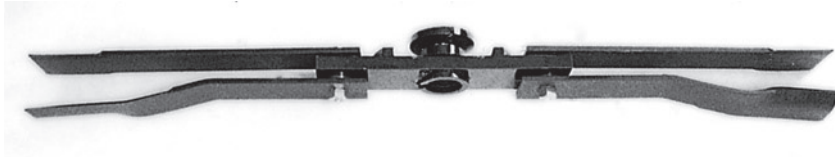
- Bolts tight to drawbar which eliminates any drawbar wear
- Hardened bushing with grease zerk on side to side movement
- Swivels up and down
- Grease zerk on rotating shaft
- Heat treated components

Not all hitches are available on all cutters. See dealer for details.

Accessories

[RETURN TO INDEX](#)**ADDITIONAL ACCESSORIES FOR 55 AND 65 SERIES 15' AND 50 SERIES 20' ROTARY CUTTERS. AVAILABLE THROUGH PARTS DEPT. ONLY.**

PART NUMBER	DESCRIPTION	APPROX. WEIGHT	LIST PRICE
318-316A	HYDRAULIC WING CONTROL KIT (for 15') to hydraulically control each wing independently	8#	\$ 98
318-553A	HYDRAULIC WING CONTROL KIT - (for 20') to hydraulically control each wing independently	8#	\$ 109
330-291S	SMV Kit - RC55 and RC65 Series only	4#	\$ 48
330-229A	Weight Box Lock - Locks the weight box on 10' wing Rotary Cutters		\$ 109

Photo of Shredder Blade Kit

330-094A	SHREDDER KIT (RC5515 and RC6515) when ordered seperately		\$ 1,712
318-958A	SHREDDER KIT (RC5020) when ordered seperately	526#	\$ 2,222
330-114A	FRONT BAFFLE KIT (RC5020)	201#	\$ 813
330-585A	REAR BAFFLE KIT (RC5020)	209#	\$ 455
330-309A	SHREDDER W/FIXED BLADE & BAFFLES (RC5020) (SN 635287 & Above)		\$ 3,496
330-308A	SHREDDER W/FIXED BLADE (RC5020) (SN 635287 & Above)		\$ 2,706

**WARNING!**

Rotary Cutters used in non-agricultural areas must be equipped with front & rear guards. The possibility of thrown objects can be hazardous to persons or property.

RCP2660 - Hydraulic Parallel Arm

[RETURN TO INDEX](#)

75 HP Min. - Minimum Tractor Weight: 8000 lbs.



Gearbox: 540 or 1000 rpm
Cutting Width: 58"
Hitch: Cat. 2 & 3, Clevis Type Lower Hitch
Deck Thickness: 10 Gauge
Minimum Cutting Height: 2"
Cutting Capacity: 2" Diameter

- Stump Jumper: 3/16" x 21" Round, Dish Shaped
- Blade Holder: 1" x 4"; Blades: 1/2" x 4"
- Blade Bolt: Keyed w/Hardened Flat Washer & Lock Nut
- Blade Tip Speed: 15,000 fpm
- Blade Rotation: Clockwise
- Horizontal Cutting Reach: 15'6" Maximum
- Vertical Cutting Reach: 11'5" Maximum
- Below Ground Level Reach: 9'1" Maximum
- Operating Tilt Arc: 180 Degrees
- 2 Parallel Arm Cylinders with Hoses & Fittings
- One Deck Cylinder with Hoses & Fittings
- Hydraulic Outlets Needed: See specific model
- One Hydraulic Breakaway with Reset
- Transport Width: 10'1" Minimum
- Driveline: Cat. 2
- High Efficiency PTO Pump
- Hydraulic Oil Capacity: 35 Gallons (Not included)
- Hydraulic Oil Flow: 15 gpm
- Overload Protection: Relief Valve
- Case Drained Deck Motor
- Oil Pressure Gauge
- Return Line Filter
- Tank Shut-Off Valve
- Breather Cap/Dip Stick
- 2 Parking Stands
- Auxiliary Weight Rack
- Flow Control Valve

Cutters

Now Available with Self Contained Hydraulic System

**For 1000 RPM,
change prefix
to RCPM**

MODEL NUMBER	DESCRIPTION	APPROX. MACHINE WEIGHT	SHIPPING WEIGHT	LIST PRICE
UTILIZING THE TRACTOR'S HYDRAULIC SYSTEM				
RCP2660-01	26 SERIES - 60" Width - 540 RPM HYDRAULIC DRIVEN PARALLEL ARM ROTARY CUTTER Front & Rear Chain Guards Solenoid and Flow Control Valve for Operating Cylinders Electrically <i>(one set of outlets needed for this, and one set needed for Hydraulic Breakaway)</i>	1690#	1690#	\$ 20,950
RCP2660-02	26 SERIES - 60" Width - 540 RPM HYDRAULIC DRIVEN PARALLEL ARM ROTARY CUTTER Front & Rear Chain Guards Hydraulic Hose Package for Hook-Up Direct to Tractor Hydraulics <i>(3 sets of outlets needed for this, and one set needed for Hydraulic Breakaway)</i>	1690#	1690#	\$ 18,386
RCP2660-03	26 SERIES - 60" Width - 540 RPM HYDRAULIC DRIVEN PARALLEL ARM ROTARY CUTTER Front & Rear Chain Guards, Float Valve Solenoid and Flow Control Valve for Operating Cylinders Electrically <i>(one set of outlets needed for this, and one set needed for Hydraulic Breakaway)</i>	1690#	1690#	\$ 21,088
SELF-CONTAINED HYDRAULIC SYSTEM				
RCP2660-05	26 SERIES - 60" Width - 540 RPM HYDRAULIC DRIVEN PARALLEL ARM ROTARY CUTTER Front & Rear Chain Guards Solenoid Operates Cylinders Electrically <i>(One set of outlets needed for Hydraulic Breakaway)</i>	1690#	1690#	\$ 22,619
RCP2660-06	26 SERIES - 60" Width - 540 RPM HYDRAULIC DRIVEN PARALLEL ARM ROTARY CUTTER Front & Rear Chain Guards, Float Valve Solenoid Operates Cylinders Electrically <i>(One set of outlets needed for Hydraulic Breakaway)</i>	1690#	1690#	\$ 22,877
ADD OPTION NO.	YOU MAY CHOOSE			
-10	Gauge Wheels (available with Options 02, 03 & 06 2 Front and 1 Rear 13" x 5" Semi-Solid Gauge Wheels* <i>This option allows the cutting deck to follow the contour of the ground</i>	230#	230#	\$ 840
-55	Kubota 3-Point Stabilizer Kit (316-325A) <i>must be used on M126GX, M135GX, M6-131 & M6141 Tractors</i>	135#	135#	\$ 715
YOU MUST ADD ONE WEIGHT BRACKET				
-70	For John Deere Weights (316-230A)	63#	63#	\$ 181
-71	For Case Weights (316-231A)	72#	72#	\$ 181
-72	For IH Weights (316-232A)	53#	53#	\$ 181
-73	For Case IH Weights (316-233A)	64#	64#	\$ 181
-74	For New Holland Weights (316-234A)	80#	80#	\$ 181
-75	For Kubota Weights (316-276A)			\$ 181
ACCESSORY				
316-063A	Debris Guard - for use with tractors without a cab Available in Buckskin Only			\$ 331

NOTE: Use of Quick Hitch on some tractors may require longer driveline.
Gearbox HP rating is based on in field use and performance

WARNING!

Rotary Cutters used in non-agricultural areas must be equipped with front & rear guards. The possibility of thrown objects can be hazardous to persons or property.

RCP3060 - Hydraulic Parallel Arm

RETURN TO INDEX

95 HP Min. - Minimum Tractor Weight: 12,000 lbs.



Gearbox: 540 or 1000 rpm
Cutting Width: 58"
Hitch: Cat. 2 & 3
Clevis Type Lower Hitch
Deck Thickness: 10 Gauge
Minimum Cutting Height: 2"
Cutting Capacity: 2" Diameter
Stump Jumper: 3/16" x 21" Round, Dish Shaped

Blade Holder: 1" x 4"
Blades: 1/2" x 4"
Blade Bolt: Keyed w/Hardened Flat Washer & Lock Nut
Blade Tip Speed: 15,000 fpm
Blade Rotation: Clockwise
Horizontal Cutting Reach: 18'10 1/2" Maximum
Vertical Cutting Reach: 13'5" Maximum
Below Ground Level Reach: 11' Maximum
Operating Tilt Arc: 180 Degrees
2 Parallel Arm Cylinders with Hoses & Fittings
One Deck Cylinder with Hoses & Fittings
Hydraulic Outlets Needed: See specific model
One Hydraulic Breakaway with Reset
Transport Width: 10'1" Minimum
Driveline: Cat. 2
High Efficiency PTO Pump
Hydraulic Oil Capacity: 35 Gallons (Not included)
Hydraulic Oil Flow: 15 gpm
Overload Protection: Relief Valve
Case Drained Deck Motor
Oil Pressure Gauge
Return Line Filter
Tank Shut-Off Valve
Breather Cap/Dip Stick
2 Parking Stands
Auxiliary Weight Rack
Flow Control Valve

**Now Available with
Self Contained
Hydraulic System**

**For 1000 RPM,
change prefix
to RCPM**

MODEL NUMBER	DESCRIPTION	APPROX. MACHINE WEIGHT	SHIPPING WEIGHT	LIST PRICE
UTILIZING TRACTOR HYDRAULIC SYSTEM				
RCP3060-01	30 SERIES - 60" Width - 540 RPM HYDRAULIC DRIVEN PARALLEL ARM ROTARY CUTTER Front & Rear Chain Guards Solenoid and Flow Control Valve for Operating Cylinders Electrically <i>(one set of outlets needed for this, and one set needed for Hydraulic Breakaway)</i>	2225#	2225#	\$ 22,296
RCP3060-02	30 SERIES - 60" Width - 540 RPM HYDRAULIC DRIVEN PARALLEL ARM ROTARY CUTTER Front & Rear Chain Guards Hydraulic Hose Package for Hook-Up Direct to Tractor Hydraulics <i>(3 sets of outlets needed for this, and one set needed for Hydraulic Breakaway)</i>	2225#	2225#	\$ 19,732
RCP3060-03	30 SERIES - 60" Width - 540 RPM HYDRAULIC DRIVEN PARALLEL ARM ROTARY CUTTER Front & Rear Chain Guards, Float Valve Solenoid and Flow Control Valve for Operating Cylinders Electrically Float Valve <i>(one set of outlets needed for this, and one set needed for Hydraulic Breakaway)</i>	2225#	2225#	\$ 22,434
SELF-CONTAINED HYDRAULIC SYSTEM				
RCP3060-05	30 SERIES - 60" Width - 540 RPM HYDRAULIC DRIVEN PARALLEL ARM ROTARY CUTTER Front & Rear Chain Guards Solenoid Operates Cylinders Electrically <i>(one set of outlets needed for Hydraulic Breakaway)</i>	2225#	2225#	\$ 23,965
RCP3060-06	30 SERIES - 60" Width - 540 RPM HYDRAULIC DRIVEN PARALLEL ARM ROTARY CUTTER Front & Rear Chain Guards, Float Valve Solenoid and Flow Control Valve for Operating Cylinders Electrically <i>(one set of outlets needed for Hydraulic Breakaway)</i>	2225#	2225#	\$ 24,223
ADD OPTION NO.	YOU MAY CHOOSE GAUGE WHEELS WITH OPTIONS 02, 03 & 06			
-10	Gauge Wheels 2 Front and 1 Rear 13" x 5" Semi-Solid Gauge Wheels <i>This option allows the cutting deck to follow the contour of the ground</i>	230#	230#	\$ 840
	YOU MUST ADD ONE WEIGHT BRACKET			
-70	For John Deere Weights (316-230A)	63#	63#	\$ 181
-71	For Case Weights (316-231A)	72#	72#	\$ 181
-72	For IH Weights (316-232A)	53#	53#	\$ 181
-73	For Case IH Weights (316-233A)	64#	64#	\$ 181
-74	For New Holland Weights (316-234A)	80#	80#	\$ 181
ACCESSORY				
316-063A	Debris Guard - for use with tractors without a cab Available in Buckskin Only			\$ 331

NOTE: Use of Quick Hitch on some tractors may require longer driveline.
Gearbox HP rating is based on in field use and performance

WARNING!
Rotary Cutters used in non-agricultural areas must be equipped with front & rear guards. The possibility of thrown objects can be hazardous to persons or property.

DB(M)2660 - Ditch Bank Cutter

[RETURN TO INDEX](#)

75 HP Minimum Tractor Weight: 7000 lbs.



Gearbox: 540 or 1000 rpm
Cutting Width: 58"
Hitch: Cat. 2 Std, Cat. 2 & 3 QH
Clevis Type Lower Hitch
Deck Thickness: 10 Gauge
Minimum Cutting Height: Depends on 3-Pt Height

Cutting Capacity: 2" Diameter
Stump Jumper: 3/16" x 21" Round, Dish Shaped
Blade Bar: 1" x 4"
Blades: 1/2" x 4"
Blade Bolt: Keyed w/Hardened Flat Washer & Lock Nut
Blade Tip Speed: 15,000 fpm
Blade Rotation: Clockwise
Horizontal Cutting Reach: 32" Maximum
One Deck Cylinder with Hoses & Fittings
Hydraulic Outlets Needed: See specific model
Transport Width: 10'1" Minimum
Driveline: Cat. 4
High Efficiency PTO Pump
Hydraulic Oil Capacity: 35 Gallons (Not included)
Hydraulic Oil Flow: 15 gpm
Overload Protection: Relief Valve
Case Drained Deck Motor
Oil Pressure Gauge
Return Line Filter
Tank Shut-Off Valve
Breather Cap/Dip Stick
Parking Stand
Auxiliary Weight Rack
Flow Control Valve

Cutters

MODEL NUMBER	DESCRIPTION	APPROX. MACHINE WEIGHT	SHIPPING WEIGHT	LIST PRICE
DB2660	26 SERIES - 60" Width - 540 RPM DITCH BANK CUTTER	1788#	1788#	\$ 10,605
DBM2660	26 SERIES - 60" Width - 1000 RPM DITCH BANK CUTTER	1788#	1788#	\$ 10,678
ADD OPTION NO.	YOU MUST CHOOSE FRONT GUARDING			
-01	Front Rubber Guard	6#	6#	\$ 100
-02	Front Single Chain Guard	24#	24#	\$ 155
-03	Front Double Chain Guard (316-319A)	41#	41#	\$ 175
	YOU MAY CHOOSE WHEELS			
-10	Rear Tailwheel	107#	107#	\$ 388
-11	Side Gauge Wheel	75#	75#	\$ 327
	YOU MUST CHOOSE A DRIVELINE			
-31	Cutter Mounted 540 RPM Cat 4 Driveline	120#	120#	\$ 1,919
-32	Tractor Mounted 540 RPM with PTO Pump			\$ 1,919
-31	Cutter Mounted 1000 RPM Cat 4 Driveline	120#	120#	\$ 1,919
-32	Tractor Mounted 1000 RPM with PTO Pump			\$ 1,919
	YOU MUST CHOOSE REAR GUARDING			
-41	Rear Chain Guard (316-335A)	30#	30#	\$ 158
-42	Rear Rubber Guard (316-336A)	22#	22#	\$ 146
-43	Rear Double Chain Guard (316-318A)	42#	42#	\$ 198
	YOU MUST ADD ONE WEIGHT BRACKET			
-70	For John Deere Weights (316-230A)	63#	63#	\$ 181
-71	For Case Weights (316-231A)	72#	72#	\$ 181
-72	For IH Weights (316-232A)	53#	53#	\$ 181
-73	For Case IH Weights (316-233A)	64#	64#	\$ 181
-74	For New Holland Weights (316-234A)	80#	80#	\$ 181
-75	For Kubota Weights (316-276A)	74#	74#	\$ 181
COLOR	(No Option=Buckskin)			
-82	Orange			

Gearbox HP rating is based on in field use and performance

WARNING!

Rotary Cutters used in non-agricultural areas must be equipped with front & rear guards. The possibility of thrown objects can be hazardous to persons or property.

RTR05 Series Reverse-Till

[RETURN TO INDEX](#)

Up to 26 HP Subcompact Tractors



- Made in USA
- Hitch: Cat. 1
- Flat Bar A-Frame
- Gearbox: 540 rpm
 - Bevel Gears
 - Aluminum Alloy Housing
 - Roller Bearings
 - Drain Plug
 - 1³/₈" - 6 Spline Shaft
- Rotor Diameter: 13"
- Rotor Speed: 230 RPM
- Box Frame
- Off-Center Shear-Pin or Slip-Clutch Driveline
- Alloy Steel Heat Treated Blades
- Four "C" Tines per Flange*
- Adjustable Skid Shoes
- Adjustable Storage Stand
- Adjustable Rear Deflector
- #80 High Tensile Roller Chain - Fully Enclosed in
 - Oil Bath with Drain Plug
- Machined Cast Iron Bearing Mounts
- Fits Land Pride Quick-Hitch

*4 Tine tillers require less horsepower

MODEL NUMBER	DESCRIPTION	APPROX. MACHINE WEIGHT	SHIPPING WEIGHT	LIST PRICE
RTR0542-31	05 SERIES ROTARY TILLER - 42" Width - Shearpin Driveline	258#	318#	\$ 2,430
RTR0550-31	05 SERIES ROTARY TILLER - 50" Width - Shearpin Driveline	268#	328#	\$ 2,562
RTR0542-32	05 SERIES ROTARY TILLER - 42" Width - Slip-Clutch Driveline	262#	322#	\$ 2,628
RTR0550-32	05 SERIES ROTARY TILLER - 50" Width - Slip-Clutch Driveline	272#	332#	\$ 2,760

ADDITIONAL SAVINGS TILLER 5-PAK STOCKING PROGRAM			
When any combination of Five of 05, 12, 15 or 20 Series Tillers are ordered at one time - DEDUCT \$96 on each Tiller			
Add option No. -99 to Model Number & Deduct			\$ (96)

ADD OPTION NO. COLOR OPTIONS (No Option=Buckskin)
 -82 Orange - 5 Pak and Single units available

RETURN TO INDEX

RGR12 Series Gear Drive Reverse -Till RGA12 Series Gear Drive Forward-Till

42 & 50: 18-60 HP • 58 & 66: 23-60 HP • 74: 30-60 HP • 82: 35-60



Made in USA
Forward or Reverse Rotation Rotor
Hitch: Cat. 1
Plate Steel A-Frame
RGR: Front Rubber Deflector to Keep Material In

Gearbox: 540 rpm, Cast Iron Housing, Bevel Gears
Tapered Roller and Ball Bearings
Drain Plug & Breather Plug
1-3/8" - 6 Spline Shaft
Rotor Diameter: 17"
Rotor Speed: 211 RPM
Box Frame
Slip-Clutch Driveline
Alloy Steel Heat Treated Blades
Six "C" Blades per Flange
Drive End:
Spur Gear Drive in Oil Bath
Stamped Drive Cover
7" Tilling Depth
Adjustable Skid Shoes
Adjustable Storage Stand
Adjustable Rear Deflector
Machined Cast Iron Bearing Mounts
Fits Land Pride Quick-Hitch

Tillers

MODEL NUMBER	DESCRIPTION	APPROX. MACHINE WEIGHT	SHIPPING WEIGHT	LIST PRICE
RGR1242-32	12 SERIES REVERSE-TILL GEAR DRIVE ROTARY TILLER - 42" Width - Slip-Clutch Driveline	591#	621#	\$ 2,630
RGR1250-32	12 SERIES REVERSE-TILL GEAR DRIVE ROTARY TILLER - 50" Width - Slip-Clutch Driveline	591#	621#	\$ 2,762
RGR1258-32	12 SERIES REVERSE-TILL GEAR DRIVE ROTARY TILLER - 58" Width - Slip-Clutch Driveline	563#	593#	\$ 2,892
RGR1266-32	12 SERIES REVERSE-TILL GEAR DRIVE ROTARY TILLER - 66" Width - Slip-Clutch Driveline	607#	637#	\$ 3,083
RGR1274-32	12 SERIES REVERSE-TILL GEAR DRIVE ROTARY TILLER - 74" Width - Slip-Clutch Driveline	640#	670#	\$ 3,277
RGR1282	12 SERIES REVERSE-TILL GEAR DRIVE ROTARY TILLER - 82" Width - Slip-Clutch Driveline	696#	726#	\$ 3,470
RGA1242-32	12 SERIES GEAR DRIVE ROTARY TILLER - 42" Width - Slip-Clutch Driveline	493#	523#	\$ 2,338
RGA1250-32	12 SERIES GEAR DRIVE ROTARY TILLER - 50" Width - Slip-Clutch Driveline	428#	558#	\$ 2,470
RGA1258-32	12 SERIES GEAR DRIVE ROTARY TILLER - 58" Width - Slip-Clutch Driveline	561#	591#	\$ 2,677
RGA1266-32	12 SERIES GEAR DRIVE ROTARY TILLER - 66" Width - Slip-Clutch Driveline	597#	627#	\$ 3,018
RGA1274-32	12 SERIES GEAR DRIVE ROTARY TILLER - 74" Width - Slip-Clutch Driveline	531#	661#	\$ 3,205
RGA1282	12 SERIES GEAR DRIVE ROTARY TILLER - 82" Width - Slip-Clutch Driveline	647#	677#	\$ 3,399

For BX Slip-Clutch Driveline Delete -32 from Model No. and ADD -33
(Not recommended for use with Quick-Hitch and not available on 82" Model) \$ N/C

**ADDITIONAL SAVINGS
TILLER 5-PAK STOCKING PROGRAM**

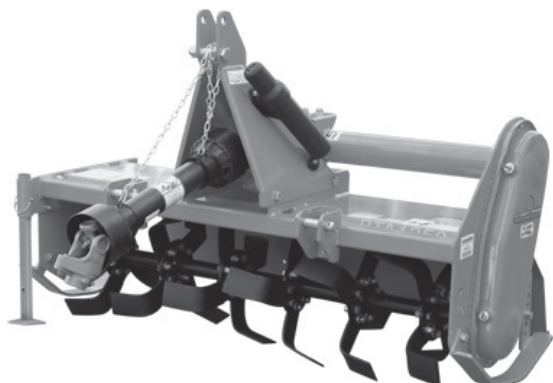
When any combination of Five of 05, 12, 15 or 20 Series Tillers are ordered at one time - DEDUCT \$96 on each Tiller
Add option No. -99 to Model Number & Deduct \$ (96)

ADD OPTION NO. COLOR OPTIONS (No Option=Buckskin)
-82 Orange - 5 Pak and Single units available

[RETURN TO INDEX](#)

RTR12 Series Reverse -Till RTA12 Series Forward-Till

42 & 50: 15-40 HP • 58 & 66: 20-50 HP • 74: 25-60 HP • 82: 30-60



Made in USA
Forward or Reverse Rotation Rotor
Hitch: Cat. 1
Plate Steel A-Frame
Front Rubber Deflector to Keep Material In

Adjustable Lower Hitch Clevises with Plated Pins
Gearbox: 540 rpm
Bevel Gears
Cast Iron Housing
Tapered Roller Bearings
Drain Plug
1 3/8" - 6 Spline Shaft
Rotor Diameter: 15"
Rotor Speed: 211 RPM
Box Frame
Slip-Clutch Driveline
Alloy Steel Heat Treated Blades
Four "C" Blades per Flange*
Offset Capabilities
Adjustable Skid Shoes
Adjustable Storage Stand
Adjustable Rear Deflector
#80 High Tensile Roller Chain - Fully Enclosed in Oil Bath with Drain Plug
Machined Cast Iron Bearing Mounts
Fits Land Pride Quick-Hitch
(Cannot Offset with Quick-Hitch)
*4 Tine tillers require less horsepower

MODEL NUMBER	DESCRIPTION	APPROX. MACHINE WEIGHT	SHIPPING WEIGHT	LIST PRICE
RTR1242-32	12 SERIES REVERSE-TILL ROTARY TILLER - 42" Width - Slip-Clutch Driveline	446#	515#	\$ 2,498
RTR1250-32	12 SERIES REVERSE-TILL ROTARY TILLER - 50" Width - Slip-Clutch Driveline	471#	540#	\$ 2,630
RTR1258-32	12 SERIES REVERSE-TILL ROTARY TILLER - 58" Width - Slip-Clutch Driveline	496#	565#	\$ 2,760
RTR1266-32	12 SERIES REVERSE-TILL ROTARY TILLER - 66" Width - Slip-Clutch Driveline	521#	590#	\$ 2,952
RTR1274-32	12 SERIES REVERSE-TILL ROTARY TILLER - 74" Width - Slip-Clutch Driveline	546#	615#	\$ 3,145
RTR1282	12 SERIES REVERSE-TILL ROTARY TILLER - 82" Width - Slip-Clutch Driveline	556#	625#	\$ 3,339
RTA1242-32	12 SERIES ROTARY TILLER - 42" Width - Slip-Clutch Driveline	468#	478#	\$ 2,206
RTA1250-32	12 SERIES ROTARY TILLER - 50" Width - Slip-Clutch Driveline	432#	502#	\$ 2,338
RTA1258-32	12 SERIES ROTARY TILLER - 58" Width - Slip-Clutch Driveline	456#	526#	\$ 2,545
RTA1266-32	12 SERIES ROTARY TILLER - 66" Width - Slip-Clutch Driveline	480#	550#	\$ 2,886
RTA1274-32	12 SERIES ROTARY TILLER - 74" Width - Slip-Clutch Driveline	504#	574#	\$ 3,073
RTA1282	12 SERIES ROTARY TILLER - 82" Width - Slip-Clutch Driveline	528#	598#	\$ 3,268

For BX Slip-Clutch Driveline Delete -32 from Model No. and ADD -33
(Not recommended for use with Quick-Hitch and not available on 82" Model) \$ N/C

ADDITIONAL SAVINGS	
TILLER 5-PAK STOCKING PROGRAM	
When any combination of Five of 05, 12, 15 or 20 Series Tillers are ordered at one time - DEDUCT \$96 on each Tiller	
Add option No. -99 to Model Number & Deduct	
\$	(96)

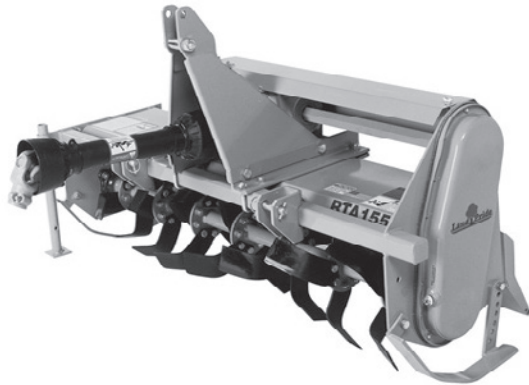
ADD OPTION NO. COLOR OPTIONS (No Option=Buckskin)
-82 Orange - 5 Pak and Single units available

RTA15 Series Forward -Till

[RETURN TO INDEX](#)

Tillers

58: 17-35 HP • 66: 20-40 HP • 74: 25-50 HP



- Made in USA
- Hitch: Cat. 1
- Formed Plate A-Frame
- Adjustable Lower Hitch Clevises with Plated Pins
- Gearbox: 540 rpm
 - Bevel Gears
 - Cast Iron Housing
 - Drain Plug
- Rotor Diameter: 15"
- Rotor Speed: 211 RPM
- Box Frame
- Off-Center Shear-Pin or Slip-Clutch Driveline
- Alloy Steel Heat Treated Blades
- Four "C" Blades per Flange*
- Side Shift
- Adjustable Skid Shoes
- Adjustable Storage Stand
- Adjustable Profile Stamped Rear Deflector
- #80 High Tensile Roller Chain - Fully Enclosed in Oil Bath with Drain Plug
- Machined Cast Iron Bearing Mounts
- Fits Land Pride Quick-Hitch
- *4 Tine tillers require less horsepower

SIDESHIFT DIMENSIONS

Position Behind Tractor (first figure left of center, second figure right of center)

MODEL	STANDARD	MAX. RIGHT	MAX. LEFT
RTA1558	29-29	12-46*	35-23*
RTA1566		12-54	39-27
RTA1574		12-62	49-31

*PTO Slightly Angled

**PTO Slightly Angled & Lower Hitch Clevises Narrowed

MODEL NUMBER	DESCRIPTION	APPROX. MACHINE WEIGHT	SHIPPING WEIGHT	LIST PRICE
RTA1558-31	15 SERIES ROTARY TILLER - 58" Width - Shearpin Driveline	439#	510#	\$ 3,270
RTA1566-31	15 SERIES ROTARY TILLER - 66" Width - Shearpin Driveline	459#	530#	\$ 3,471
RTA1574-31	15 SERIES ROTARY TILLER - 74" Width - Shearpin Driveline	471#	542#	\$ 3,597
RTA1558-32	15 SERIES ROTARY TILLER - 58" Width - Slip-Clutch Driveline	453#	524#	\$ 3,467
RTA1566-32	15 SERIES ROTARY TILLER - 66" Width - Slip-Clutch Driveline	473#	544#	\$ 3,668
RTA1574-32	15 SERIES ROTARY TILLER - 74" Width - Slip-Clutch Driveline	485#	556#	\$ 3,794

ADDITIONAL SAVINGS
TILLER 5-PAK STOCKING PROGRAM

When any combination of Five of 05, 12, 15 or 20 Series Tillers are ordered at one time - DEDUCT \$96 on each Tiller
Add option No. -99 to Model Number & Deduct \$ (96)

ADD

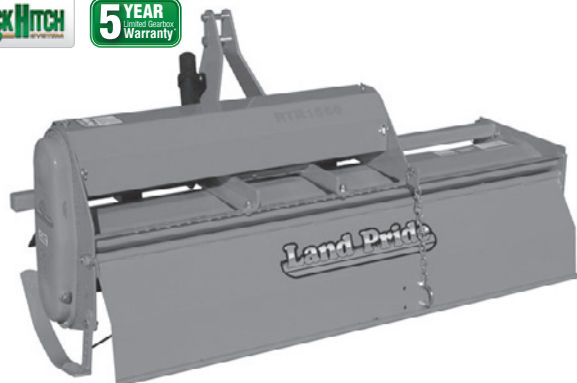
OPTION NO. COLOR OPTIONS (No Option=Buckskin)

-82 Orange - 5 Pak and Single units available

RTR15 Series Reverse-Till

[RETURN TO INDEX](#)

58: 17-35 HP • 66: 20-40 HP • 74: 25-50 HP



Made in USA
Reverse Rotation Rotor
Hitch: Cat. 1
Plate Steel A-Frame
Front Rubber Deflector to Keep Material In

Adjustable Lower Hitch Clevises with Plated Pins
Gearbox: 540 rpm
Bevel Gears
Cast Iron Housing
Drain Plug
Rotor Diameter: 15"
Rotor Speed: 211 RPM
Box Frame
Off-Center Shear-Pin or Slip-Clutch Driveline
Alloy Steel Heat Treated Blades
Four "C" Blades per Flange*
Side Shift
Adjustable Skid Shoes
Adjustable Storage Stand
Adjustable Rear Deflector
#80 High Tensile Roller Chain - Fully Enclosed in Oil Bath with Drain Plug
Machined Cast Iron Bearing Mounts
Fits Land Pride Quick-Hitch

*4 Tine tillers require less horsepower

SIDESHIFT DIMENSIONS

Position Behind Tractor (first figure left of center, second figure right of center)

MODEL	STANDARD	MAX. RIGHT	MAX. LEFT
RTR1558	29-29	12-46*	35-23*
RTR1566		12-54	39-27
RTR1574		12-62	49-31

*PTO Slightly Angled

**PTO Slightly Angled & Lower Hitch Clevises Narrowed

MODEL NUMBER	DESCRIPTION	APPROX. MACHINE WEIGHT	SHIPPING WEIGHT	LIST PRICE
RTR1558-31	15 SERIES REVERSE-TILL ROTARY TILLER - 58" Width - Shearpin Driveline	470#	541#	\$ 3,472
RTR1566-31	15 SERIES REVERSE-TILL ROTARY TILLER - 66" Width - Shearpin Driveline	501#	572#	\$ 3,532
RTR1574-31	15 SERIES REVERSE-TILL ROTARY TILLER - 74" Width - Shearpin Driveline	513#	584#	\$ 3,660
RTR1558-32	15 SERIES REVERSE-TILL ROTARY TILLER - 58" Width - Slip-Clutch Driveline	484#	555#	\$ 3,669
RTR1566-32	15 SERIES REVERSE-TILL ROTARY TILLER - 66" Width - Slip-Clutch Driveline	515#	586#	\$ 3,729
RTR1574-32	15 SERIES REVERSE-TILL ROTARY TILLER - 74" Width - Slip-Clutch Driveline	527#	598#	\$ 3,857

ADDITIONAL SAVINGS
_____ TILLER 5-PAK STOCKING PROGRAM _____

When any combination of Five of 05, 12, 15 or 20 Series Tillers are ordered at one time - DEDUCT \$96 on each Tiller
Add option No. -99 to Model Number & Deduct \$ (96)

ADD

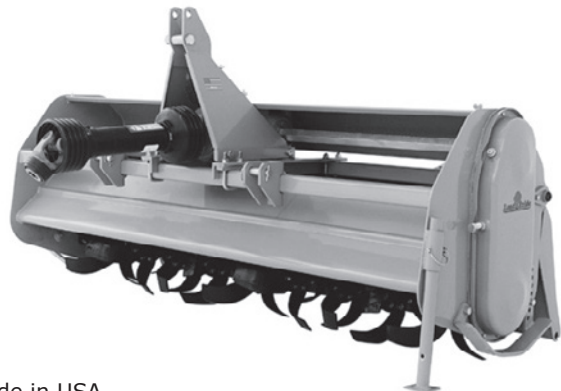
OPTION NO. COLOR OPTIONS (No Option=Buckskin)

-82 Orange - 5 Pak and Single units available

RETURN TO INDEX

RTR20 Series Reverse-Till RTA20 Series Forward-Till

23-75 HP



Made in USA
Hitch: Cat. 1
Formed Plate A-Frame
Adjustable Lower Hitch Clevises with Plated Pins

- Gearbox: 540 rpm
- Bevel Gears
- Cast Iron Housing
- Drain Plug
- Rotor Diameter: 17"
- Box Frame
- Off-Center Shear-Pin or Slip-Clutch Driveline
- Alloy Steel Heat Treated Blades
- 4 "C" Shaped Blades*
- 18" Sideshift
- Offset: 64: 14"; 72: 18"
- Adjustable Skid Shoes
- Storage Stand
- Adjustable Rear Deflector
- #80 High Tensile Roller Chain - Fully Enclosed in Oil Bath with Drain Plug
- Machined Cast Iron Bearing Mounts
- *4 Tine tillers require less horsepower
- **Fits Land Pride Quick-Hitch (Limited Sideshift w/QH)
- ** May require longer driveline. Part No. 826-147C Available through our Parts Dept.

Tillers

MODEL NUMBER	DESCRIPTION	APPROX. MACHINE WEIGHT	SHIPPING WEIGHT	LIST PRICE
FORWARD ROTATION				
RTA2064-0631	20 SERIES ROTARY TILLER - 64" Width 6 Blades per Flange - Shearpin Driveline	689#	785#	\$ 4,589
RTA2072-0631	20 SERIES ROTARY TILLER - 72" Width 6 Blades per Flange - Shearpin Driveline	735#	833#	\$ 4,711
REVERSE ROTATION				
RTR2064-0631	20 SERIES ROTARY REVERSE-TILL TILLER - 64" Width 6 Blades per Flange - Shearpin Driveline	744#	840#	\$ 5,097
RTR2072-0631	20 SERIES REVERSE-TILL ROTARY TILLER - 72" Width 6 Blades per Flange - Shearpin Driveline	795#	893#	\$ 5,215
	For slip-clutch driveline on RTA20 or RTR20 DELETE -31 from Model Number and ADD -32			\$ 242

ADDITIONAL SAVINGS
TILLER 5-PAK STOCKING PROGRAM

When any combination of Five of 05, 12, 15 or 20 Series Tillers are ordered at one time - DEDUCT \$96 on each Tiller
Add option No. -99 to Model Number & Deduct \$ (96)

ADD OPTION NO. **COLOR OPTIONS (No Option=Buckskin)**
-82 Orange - 5 Pak and Single units available

RTA25 Series Forward-Till

[RETURN TO INDEX](#)

25-75 HP



Made in USA
 Hitch: Cat. 1
 Adjustable Hitch Clevises with Plated Pins
 Formed Plate A-Frame
 Gearbox: 540 rpm
 Bevel Gears
 Cast Iron Housing
 Drain Plug
 Rotor Diameter: 17"
 Rotor Speed: 220 rpm
 Slip-Clutch Driveline
 High Carbon Heat Treated "C" Shaped Blades*
 Offset Capabilities
 Adjustable Skid Shoes
 Storage Stand
 Rear Deflector: Spring Loaded, Adjustable,
 #100 High Tensile Roller Chain
 Fully Enclosed in Oil Bath with Drain Plug,
 Fill Plug & Skid Protection
 *4 Tine tillers require less horsepower
 **Fits Land Pride Quick-Hitch
 (Cannot Offset with Quick-Hitch)
 ** May require longer driveline. Part No. 826-147C Available
 through our Parts Dept.

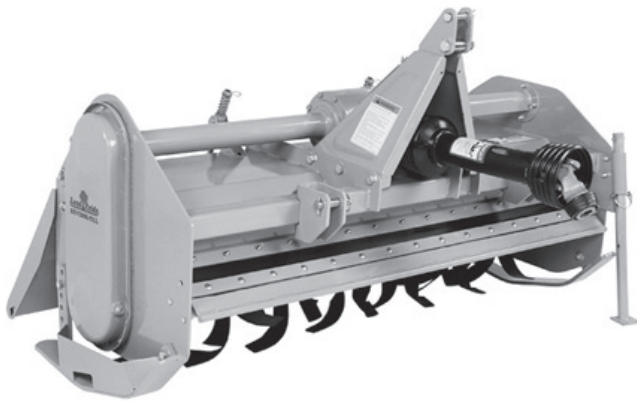
MODEL NUMBER	DESCRIPTION	APPROX. MACHINE WEIGHT	SHIPPING WEIGHT	LIST PRICE
RTA2562-06	25 SERIES ROTARY TILLERS - 62" Width 6 Blades per Flange, Slip-Clutch Driveline	649#	711#	\$ 5,224
RTA2570-06	25 SERIES ROTARY TILLERS - 70" Width 6 Blades per Flange, Slip-Clutch Driveline	663#	725#	\$ 5,323
311-162A	Rear Deflector Down Spring Pressure Kit (Available Through Parts Dept. Only)			\$ 30
ADD OPTION NO.	COLOR OPTION (No Option=Buckskin)			
-82	Orange			

RTR25 Series Reverse-Till

[RETURN TO INDEX](#)

Tillers

25-75 HP



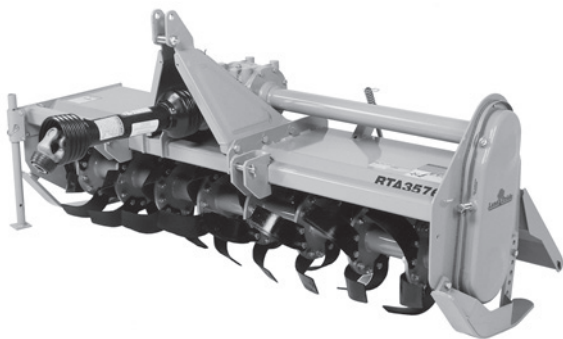
- Made in USA
- Hitch: Cat. 1
- Adjustable Lower Hitch Clevises
- Formed Plate A-Frame
- Offset Capabilities
- Gearbox: 540 rpm
 - Bevel Gears
 - Cast Iron Housing
 - Drain Plug
- Rotor Diameter: 17"
- Rotor Speed: 220 RPM
- Box Frame
- Extra Stone Clearance
- Slip-Clutch Driveline
- High Carbon Heat Treated Blades
- Six "C" Blades per Flange
- Adjustable Skid Shoes
- Storage Stand
- Front Protector Plate with Reinforced Rubber Insert
- Rear Deflector: Spring Loaded
 - Extended Side Plates
- Extended Torque Tube
- #100 Roller Chain -
 - Fully Enclosed in Oil Bath with Drain Plug,
 - Fill Plug & Skid Protection
- Coil Spring 'Sifting' Tines
- **Fits Land Pride Quick-Hitch
(Cannot Offset with Quick-Hitch)
- ** May require longer driveline. Part No. 826-147C
Available through our Parts Dept.

MODEL NUMBER	DESCRIPTION	APPROX. MACHINE WEIGHT	SHIPPING WEIGHT	LIST PRICE
RTR2570	25 SERIES REVERSE-TILL ROTARY TILLER 70" Width - 6 Blades, Slip Clutch	868#	947#	\$ 6,432
311-162A	Rear Deflector Down Spring Pressure Kit (Available through Parts Dept. Only)			\$ 30
ADD OPTION NO.	COLOR OPTION (No Option=Buckskin)			
-82	Orange			

RTA35 Series Forward-Till

[RETURN TO INDEX](#)

35-95 HP



Made in USA
 Hitch: Cat. 1 & 2
 Adjustable Lower Hitch Clevises
 Formed Plate A-Frame
 Gearbox: 540 rpm
 Bevel Gears
 Cast Iron Housing
 Drain Plug
 Rotor Diameter: 19"
 Rotor Speed: 204 RPM
 Box Frame
 Heavy Duty Slip-Clutch Driveline
 High Carbon Heat Treated Blades
 Six "C" Blades per Flange
 Offset Capabilities
 Adjustable Skid Shoes
 Storage Stand
 Rear Deflector: Spring Loaded, Adjustable,
 #100 High Tensile Roller Chain - Fully Enclosed in
 Oil Bath with Drain Plug & Fill Plug
 **Fits Land Pride Quick-Hitch
 (Cannot Offset with Quick-Hitch)
 ** May require longer driveline. Part No. 826-080C Available
 through our Parts Dept.

MODEL NUMBER	DESCRIPTION	APPROX. MACHINE WEIGHT	SHIPPING WEIGHT	LIST PRICE
RTA3576	35 SERIES ROTARY TILLER - 76" Width	856#	920#	\$ 6,505
311-162A	Rear Deflector Down Spring Pressure Kit (Available Through Parts Dept. Only)			\$ 30
ADD OPTION NO.	COLOR OPTION (No Option=Buckskin)			
-82	Orange			

3P500/3P600 Min-Till Compact Drills

[RETURN TO INDEX](#)

3P500 - 5' Width - 35 HP Min.
3P600 - 6' Width - 40 HP Min.



- Category I & II Lower Hitch plates
- Center Mounted Single Drive Wheels
- Acremeter
- 2 bu/ft. Box Capacity
- 1 3/4" Fluted Feed Cups w/ Powdered Metal Flutes
- 4 Speed Gearbox
- "00" Series Openers on 6" & 7 1/2" Spacing
- Direct Link Press Wheel for Depth Control
- Heavy Duty Coil Springs
- T-Handle Opener Depth Adjustment
- Seed Tubes & Flaps
- Walkboard w/Steps

Compact Drills

MODEL NUMBER	DESCRIPTION	APPROX. MACHINE WEIGHT	SHIPPING WEIGHT	LIST PRICE
3P50082-0906-03	3P500 SERIES MIN-TILL COMPACT DRILL - 5' WIDTH 9 Rows, 6" Row Spacing 2x13 Single Press Wheels			\$ 9,752
3P50082-0775-03	3P500 SERIES MIN-TILL COMPACT DRILL - 5' WIDTH 7 Rows, 7.5" Row Spacing 2x13 Single Press Wheels			\$ 9,003
3P500V82-0906-03	3P500 SERIES LOW PROFILE VINEYARD MODEL MIN-TILL COMPACT DRILL - 5' WIDTH 9 Rows, 6" Row Spacing 2x13 Single Press Wheels			\$ 9,752
3P500V82-0775-03	3P500 SERIES LOW PROFILE VINEYARD MODEL MIN-TILL COMPACT DRILL - 5' WIDTH 7 Rows, 7.5" Row Spacing 2x13 Single Press Wheels			\$ 9,003
3P60082-1106-03	3P600 SERIES MIN-TILL COMPACT DRILL - 6' WIDTH 11 Rows, 6" Row Spacing 2x13 Single Press Wheels			\$ 11,250
3P60082-0975-03	3P600 SERIES MIN-TILL COMPACT DRILL - 6' WIDTH 9 Rows, 7.5" Row Spacing 2x13 Single Press Wheels			\$ 10,502
ADD OPTION NO YOU MUST CHOOSE THE WALKBOARD OPTION (3P500V Only)				
-39	Decal Brackets			\$ 28
-40	Walkboard (3P500V Only)			\$ 420
ADD OPTION NO YOU MAY CHOOSE A SMALL SEEDS ATTACHMENT				
-91	3P500 Min-Till Small Seeds - 6" Spacing			\$ 1,500
-91	3P500 Min-Till Small Seeds - 7.5" Row Spacing			\$ 1,424
-91	3P600 Min-Till Small Seeds - 6" Row Spacing			\$ 1,582
-91	3P600 Min-Till Small Seeds - 7.5" Row Spacing			\$ 1,507
PART NO. ACCESSORIES				
118-790A	3P500 6" Seed Box Agitator, Without Small Seeds - dealer installed			\$ 487
118-791A	3P500 6" Seed Box Agitator, With Small Seeds - dealer installed			\$ 305
118-792A	3P500 7.5" Seed Box Agitator, Without Small Seeds- dealer installed			\$ 461
118-793A	3P500 7.5" Seed Box Agitator, With Small Seeds- dealer installed			\$ 342
118-788A	3P600 6" Seed Box Agitator, Without Small Seeds - dealer installed			\$ 419
118-789A	3P600 6" Seed Box Agitator, With Small Seeds - dealer installed			\$ 276
118-748A	3P600 7.5" Seed Box Agitator, Without Small Seeds - dealer installed			\$ 500
118-749A	3P600 7.5" Seed Box Agitator, With Small Seeds - dealer installed			\$ 305
817-087C	Seed Cup Plugs - dealer installed			\$ 5/Row
150-243A	Light Kit (3P500, 3P500V, 3P600) - dealer installed			\$ 219

These products are sold under different programs. See Terms & Policies for details.

3P606NT 3-Point No-Till

RETURN TO INDEX

3P606NT - 6'

60 HP Min.



- Category II Lower Hitch plates
- Acrometer
- Center Mounted Single Drive Wheel
- 2 bu/ft. Box Capacity
- 1 3/4" Fluted Feed Cups w/ Powdered metal flutes
- Calibration Crank
- Grease Bank
- 4 Speed Gearbox
- "06" Series II Native Grass Openers on 7 1/2" spacing
 - Native Grass Box sold separately
- Presswheel Options
- 5/16" Fluted Coulter Blades or 5/8" Turbo Coulter Blade
- Direct Link Press Wheel for Depth Control
- Heavy Duty Coil Springs
- T-Handle Opener Depth Adjustment
- Seed tubes & flaps
- Walkboard w/Steps
- Spring-Steel Coulter Mounting Bars
- 1 lb. container of graphite (NG models only)

MODEL NUMBER	DESCRIPTION	APPROX. MACHINE WEIGHT	SHIPPING WEIGHT	LIST PRICE
3P606NT82-0975-03	3P606NT SERIES 3-PT NO-TILL COMPACT DRILL - 6' WIDTH 9 Rows, 7.5" Row Spacing 2x13 Single Press Wheels 5/8" Turbo Coulter			\$ 14,632
3P606NT82-0975-04	3P606NT SERIES 3-PT NO-TILL COMPACT DRILL - 6' WIDTH 9 Rows, 7.5" Row Spacing 2x13 Single Press Wheels 5/16" Fluted Coulter			\$ 14,632
3P606NT82-0975-07	3P606NT SERIES 3-PT NO-TILL COMPACT DRILL - 6' WIDTH 9 Rows, 7.5" Row Spacing 3x13 Center Rib Press Wheels 5/8" Turbo Coulter			\$ 14,752
3P606NT82-0975-08	3P606NT SERIES 3-PT NO-TILL COMPACT DRILL - 6' WIDTH 9 Rows, 7.5" Row Spacing 3x13 Center Rib Press Wheels 5/16" Fluted Coulter			\$ 14,752

ADD OPTION NO	BOX OPTIONS - You Must Choose One		
-40	Seed Only	\$	N/C
-42	Native Grass Attachment - 7.5" Row Spacing (P/N 202-416A-82)	\$	5,401
-43	Native Grass Attachment - 7.5" Row Spacing (P/N 202-411A-82) For use w/Option 95	\$	5,401

ADD OPTION NO	OPTIONAL EQUIPMENT		
-91	Small Seeds - 7.5" Spacing (P/N 133-131A-82)	\$	1,507
-95	Small Seeds - 7.5" Spacing (P/N 133-132A-82) Used in conjunction with Native Grass	\$	1,543
-66	Weight bracket w/hardware (P/N 151-058A-82)	\$	437

PART NO	ACCESSORIES		
118-750A	3P606NT Seed Box Agitator*, with Seed or Small Seeds - Dealer Installed	\$	461
118-751A	3P606NT Seed Box Agitator*, with Native Grass - Dealer Installed	\$	342
817-087C	Seed Cup Plugs - Dealer installed	\$	5/Row

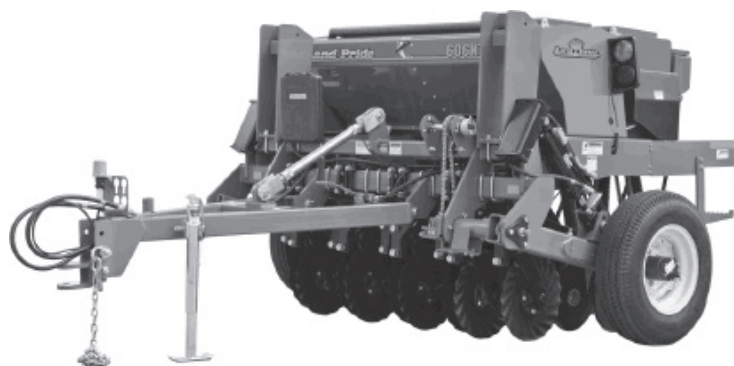
* Agitator installed in main box does not replace Native Grass Box, the Native Grass option is required for planting Native Grass.

These products are sold under different programs. See Terms & Policies for details.

606NT Pull-Type No-Till

[RETURN TO INDEX](#)

40 HP Min.



- Clevis Style Drawbar Hitch or Pintle Hitch
- Acremeter
- End Wheel Drive Wheel
- 2 bu/ft. Box Capacity
- 1 3/4" Fluted Feed Cups w/ Powdered Metal Flutes
- Calibration Crank
- Grease Bank
- 4 Speed Gearbox
- "06" Series II Native Grass Openers on 7 1/2" Spacing
- Native Grass Box Sold Separately
- Presswheel Options
- 5/16" Fluted Coulter Blades or 5/8" Turbo Coulter Blade
- Direct Link Press Wheel for Depth Control
- Heavy Duty Coil Springs
- T-Handle Opener Depth Adjustment
- Seed Tubes & Flaps
- Walkboard w/Steps
- Spring-Steel Coulter Mounting Bars
- Transport Light Kit
- 1 lb. Container of Graphite (NG models only)

Compact Drills

MODEL NUMBER	DESCRIPTION	APPROX. MACHINE WEIGHT	SHIPPING WEIGHT	LIST PRICE
606NT82-0975-03	606NT SERIES NO-TILL COMPACT DRILL - 6' WIDTH 9 Rows, 7.5" Row Spacing 2x13 Single Press Wheels; 5/8" Turbo Coulter			\$ 18,338
606NT82-0975-04	606NT SERIES NO-TILL COMPACT DRILL - 6' WIDTH 9 Rows, 7.5" Row Spacing 2x13 Single Press Wheels; 5/16" Fluted Coulter			\$ 18,338
606NT82-0975-07	606NT SERIES NO-TILL COMPACT DRILL - 6' WIDTH 9 Rows, 7.5" Row Spacing 3x13 Single Press Wheels; 5/8" Turbo Coulter			\$ 18,460
606NT82-0975-08	606NT SERIES NO-TILL COMPACT DRILL - 6' WIDTH 9 Rows, 7.5" Row Spacing 3x13 Center Rib Press Wheels; 5/16" Fluted Coulter			\$ 18,460
ADD OPTION NO:	BOX OPTIONS - You Must Choose One			
-40	Seeds Only			\$ N/C
-42	Seeds w/Native Grass Attachment - 7.5" Spacing (P/N 202-408A-82)			\$ 5,617
-43	Seeds w/Native Grass Attachment 7.5" Spacing (P/N 202-411A-82) <i>(for use w/option 95)</i>			\$ 5,617
ADD OPTION NO:	YOU MUST CHOOSE A HITCH			
-81	Pintle Hitch			\$ N/C
-83	Clevis Hitch			\$ N/C
ADD OPTION NO:	OPTIONAL EQUIPMENT			
-91	606NT Small Seeds - 7.5" Spacing (P/N 133-124A-82)			\$ 1,567
-95	606NT Small Seeds - 7.5" Spacing (P/N 133-125A-82) <i>(Used in conjunction w/native grass)</i>			\$ 1,605
-66	Weight Bracket w/hardware (P/N 151-058A-82)			\$ 437
PART NO:	ACCESSORIES			
118-750A	Agitator - w/drive, not equipped with Native Grass			\$ 461
118-751A	Agitator - wo/drive, equipped with Native Grass			\$ 342
817-087C	Seed Cup Plugs - Dealer Installed			\$ 5/Row

* Agitator installed in main box does not replace native grass.
For native grass seeding, the native grass option is required.

These products are sold under different programs. See Terms & Policies for details.

800 End Wheel 8' Min-Till Compact Drills

RETURN TO INDEX

45 HP Min.



- 4 speed gearbox
- Acremeter
- Walkboard & ladder
- Safety lighting package w/brake signal function module
- Seed cup w/ powdered metal flutes
- Lock-out hub
- Weather proof lids
- V-bottom dividers
- "00" Series Openers on 6" & 7 1/2" Spacing
- Seed box level indicator
- Folding tongue
- Jack stand
- Cylinder kit
- Calibration crank
- 700-15 LT tires
- Safety chain
- T-handle depth control adjustment
- 2 bu/ft seedbox

MODEL NUMBER	DESCRIPTION	APPROX. MACHINE WEIGHT	SHIPPING WEIGHT	LIST PRICE
80082-1506-03	800 SERIES MIN-TILL COMPACT DRILL - 8' WIDTH 15 Rows, 6" Row Spacing 2x13 Single Press Wheels			\$ 17,364
80082-1275-03	800 SERIES MIN-TILL COMPACT DRILL - 8' WIDTH 12 Rows, 7.5" Row Spacing 2x13 Single Press Wheels			\$ 15,488
80082-1275-05	800 SERIES MIN-TILL COMPACT DRILL - 8' WIDTH 12 Rows, 7.5" Row Spacing 3x13 Center Rib Press Wheels			\$ 15,974

ADD OPTION NO	BOX OPTIONS - You Must Choose One		
-40	Seed Only (STD) - 6" & 7 1/2" Row Spacing	\$	N/C
-41	Seed & Small Seeds - 6" Row Spacing	\$	1,965
-41	Seed & Small Seeds - 7.5" Row Spacing	\$	1,830
-46	Seed & Fertilizer - 6" Row Spacing	\$	3,857
-46	Seed & Fertilizer - 7.5" Row Spacing	\$	3,693
-48	Seed, Small Seeds & Fertilizer - 6" Row Spacing	\$	5,825
-48	Seed, Small Seeds & Fertilizer - 7.5" Row Spacing	\$	5,524

ADD OPTION NO	ACCESSORIES		
175-239A	Agitator - 6" Row Spacing w/Fertilizer or Small Seeds	\$	167
175-240A	Agitator - 6" Row Spacing w/o Fertilizer or Small Seeds	\$	360
175-241A	Agitator - 7.5" Row Spacing w/Fertilizer or Small Seeds	\$	140
175-242A	Agitator - 7.5" Row Spacing w/o Fertilizer or Small Seeds	\$	336
817-087C	Seed Cup Plugs - Dealer installed	\$	5/row

* Agitator installed in main box does not replace native grass.
The 800 does not have native grass capability.

These products are sold under different programs. See Terms & Policies for details.

3P806NT/3P1006NT Semi-Mount No-Till

[RETURN TO INDEX](#)

3P806NT - 8' 80 HP Min.
3P1006NT - 10' 100 HP Min.



- 2 bu/ft Seed Box
- Rear Lift Assist Wheels - Dealer Installed
- Cat II hitch - 3P806NT, Cat II or III - 3P1006NT
- 4 Speed gearbox(3P806NT) 2 Gearboxes on 10' w/NG
- "06" Series II Native Grass Openers on 7 1/2" Spacing
- Native Grass Box Sold Separately
- Calibration Crank
- Coulter Grease Bank
- Folding Rear Ladder
- Safety Lighting
- Manual Storage Pack
- Acremeter
- Seed Level Indicator
- Gas Shock Assisted Lids

Compact Drills

MODEL NUMBER	DESCRIPTION	SHIPPING WEIGHT	LIST PRICE
3P806NT82-1375-03-20	3P806NT SERIES 2-PT NO-TILL COMPACT DRILL - 8' WIDTH 13 Rows, 7.5" Row Spacing 2x13 Single Press Wheels; 5/8" Turbo Coulter, Lift Assist		\$ 20,698
3P806NT82-1375-04-20	3P806NT SERIES 2-PT NO-TILL COMPACT DRILL - 8' WIDTH 13 Rows, 7.5" Row Spacing 2x13 Single Press Wheels; 5/16" Fluted Coulter, Lift Assist		\$ 20,698
3P806NT82-1375-05-20	3P806NT SERIES 2-PT NO-TILL COMPACT DRILL - 8' WIDTH 13 Rows, 7.5" Row Spacing 3x13 Center Rib Press Wheels; 5/8" Turbo Coulter, Lift Assist		\$ 20,819
3P806NT82-1375-06-20	3P806NT SERIES 2-PT NO-TILL COMPACT DRILL - 8' WIDTH 13 Rows, 7.5" Row Spacing 3x13 Center Rib Press Wheels; 5/16" Fluted Coulter, Lift Assist		\$ 20,819
3P1006NT82-1575-03	3P1006NT SERIES 2-PT NO-TILL COMPACT DRILL - 10' WIDTH 15 Rows, 7.5" Row Spacing 2x13 Single Press Wheels; 5/8" Turbo Coulter		\$ 24,602
3P1006NT82-1575-04	3P1006NT SERIES 2-PT NO-TILL COMPACT DRILL - 10' WIDTH 15 Rows, 7.5" Row Spacing 2x13 Single Press Wheels; 5/16" Fluted Coulter		\$ 24,602
3P1006NT82-1575-05	3P1006NT SERIES 2-PT NO-TILL COMPACT DRILL - 10' WIDTH 15 Rows, 7.5" Row Spacing 3x13 Center Rib Press Wheels; 5/8" Turbo Coulter		\$ 24,747
3P1006NT82-1575-06	3P1006NT SERIES 2-PT NO-TILL COMPACT DRILL - 10' WIDTH 15 Rows, 7.5" Row Spacing 3x13 Center Rib Press Wheels; 5/16" Fluted Coulter		\$ 24,747

BOX OPTIONS - You Must Choose One						
Option:	-40	-41	-43	-44	-46	-47
	Seed Only	Seed w/ Small Seeds	Seed and Series II Native Grass	Seed and Series II Native Grass w/ Small Seeds	Seed and Fertilizer	Seed and Fertilizer w/Small Seeds
3P806NT	STD	\$1,887	\$6,597	\$8,465	\$3,765	\$5,629
3P1006NT	STD	\$2,392	\$7,574	\$9,967	\$4,717	\$7,145

ADD OPTION NO	OPTIONAL EQUIPMENT		
-66	Weight bracket w/ hardware (P/N 151-135A 82)	\$	477
PART NO	ACCESSORIES		
118-966A-82	Compact Extension Hitch - <i>provides more clearance between tractor and drill</i>	\$	1,043
817-087C	Seed Cup Plugs	\$	5/row
118-967A	3P806NT Seed Box Agitator w/drive <i>to be used on seed only or seed/Native Grass - dealer installed</i>	\$	470
118-968A	3P806NT Seed Box Agitator wo/drive <i>to be used on machines with fert or small seeds - dealer installed</i>	\$	343
118-970A	3P1006NT Seed Box Agitator w/drive <i>to be used on seed only or seed/NG - dealer installed</i>	\$	481
118-971A	3P1006NT Seed Box Agitator wo/drive <i>to be used with fertilizer or small seeds - dealer installed</i>	\$	461

These products are sold under different programs. See Terms & Policies for details.

706NT/1006NT No-Till Drills

[RETURN TO INDEX](#)

706NT: 55 HP Min., 1006NT: 75 HP Min.



- Rephasing cylinders with stroke control valve
- Two 9" X 24" 8-ply tires stubble resistant tires
- Acremeter
- Steel walkboard with ladder
- Tongue jack
- 1 3/4" fluted feed cups
- V-bottom dividers (n/a on native grass & fertilizer drills)
- 4 Speed Gearbox
- 13 1/2" diameter offset double disk opener blades
- Seed tubes & flaps in each opener
- Spring steel mounting bar for coulter
- Heavy duty coil spring for coulter
- T-handle adjust depth control system
- Grease bank
- Lock-out hub
- Built in weight bracket
- 1 lb. container graphite (NATIVE GRASS model only)
- Calibration Crank
- Safety chain
- Seed level indicator
- Main Box Capacity: 2.4 bu/ft
- Transport Light Kit

MODEL NUMBER	DESCRIPTION	APPROX. MACHINE WEIGHT	SHIPPING WEIGHT	LIST PRICE
706NT82-1075-03	706NT SERIES NO-TILL COMPACT DRILL - 7' WIDTH 10 Rows, 7.5" Row Spacing 2x13 Single Press Wheels			\$ 25,234
706NT82-1075-05	706NT SERIES NO-TILL COMPACT DRILL - 7' WIDTH 10 Rows, 7.5" Row Spacing 3x13 Center Rib Press Wheels			\$ 25,364
1006NT82-1575-03	1006NT SERIES NO-TILL COMPACT DRILL - 10' WIDTH 15 Rows, 7.5" Row Spacing 2x13 Single Press Wheels			\$ 30,829
1006NT82-1575-05	1006NT SERIES NO-TILL COMPACT DRILL - 10' WIDTH 15 Rows, 7.5" Row Spacing 3x13 Center Rib Press Wheels			\$ 31,364

ADD OPTION NO	COULTER OPTIONS - You Must Choose One		
-21	5/16" Fluted	\$	N/C
-24	5/8" Turbo	\$	N/C

ADD OPTION NO	HITCH OPTION		
-64-81	Standard Tongue, Pintle Hitch	\$	N/C
-64-83	Standard Tongue, Clevis Hitch	\$	N/C

BOX OPTIONS - You Must Choose One						
Option:	-40	-41	-43	-44	-46	-47
	Seed Only	Seed w/ Small Seeds	Seed and Series II Native Grass	Seed and Series II Native Grass w/ Small Seeds	Seed and Fertilizer	Seed and Fertilizer w/ Small Seeds
706NT	STD	\$3,626	\$7,845	\$11,471	\$6,356	\$9,048
1006NT	STD	\$3,826	\$9,908	\$13,733	\$6,590	\$9,339

ADD OPTION NO	ACCESSORIES		
118-895A	706NT Agitator - 7.5" Row Spacing w/ Drive for Seeds Only or Native Grass	\$	410
118-896A	706NT Agitator - 7.5" Row Spacing w/o Drive for Fertilizer or Small Seeds	\$	349
118-899A	1006NT Agitator - 7.5" Row Spacing w/ Drive for Seeds Only or Native Grass	\$	443
118-900A	1006NT Agitator - 7.5" Row Spacing w/o Drive for Fertilizer or Small Seeds	\$	387
817-087C	Seed Cup Plugs - Dealer installed	\$	5/row

* Agitator installed in main box does not replace native grass box.
For native grass seeding, the Native Grass option is required.

These products are sold under different programs. See Terms & Policies for details.

NTS25 Series No-Till Seeders

[RETURN TO INDEX](#)

Seeders

7': 3-Pt: CAT 2, 70 HP; Pull-Type: 60 HP
 9': 3-Pt: Cat. 2, 90 HP; Pull-Type: 80 HP
 11': 3-Pt: Cat. 2, 110 HP; Pull-Type: 100 HP



- 3" x 4" Tube Frame
- Heavy Duty Lid with Seed Splash Guard
- Ground Drive Metering
- Seed Box Lock-outs
- Anti-Reverse Clutch to Prevent Seed Cup Damage
- Seed Cups: Fluted for Accurate Metering
- Cups Per Box (main and small) 7': 12, 9': 14, 11': 18
- Wide Range of Calibration Settings w/ Gearbox and Sprocket Chain
- Wind Guarded Seed Drop
- #40 Chain - Spring Loaded, Easy Access
- 2 Front Rollers:
 - 8-5/8" Diameter, 1-1/4" Spindles with Greasable Ball Bearings
- Roller Spikes: 1/2" x 2", Heat-Treated Steel, Replaceable
- Front Roller Angling: up to 18 Degrees
- Rear Roller, Straight:
 - 11-3/8" Diameter, Notched and Cast Gray Iron Rings
 - Two Rear Rollers on 9' and 11' Units
- Lift Hooks
- Optional Native Grass Box with Walkboard
- Acre Meter: Digital, Optional
- Available only in ORANGE
- Transport Lights Standard

Seed Box Capacities

Main: 7' - 7.5 bu.; 9' - 8.8 bu., 11' - 11.3 bu.
 Small Seeds Box: 7' - 1.7 bu., 9' - 2.0 bu., 11' - 2.6 bu.
 Native Grass Box: 7' - 8.5 bu., 9' - 9.8 bu., 11' - 12.7 bu.

Pull Package:

Includes Tongue, Jack, Cylinders, and Hoses
 Axle and 2- 15" Implement Tires, Recap (4 on 11')
 Rim: 5 bolt, 4.5"

Cylinders Master/Slave: Hitch Cylinder 3.5" x 6";
 Axle Cylinders 3.25" x 6" and 3" x 6"

Weight in lbs. without Native Grass Box: 3-pt (Pull-type)
 7' - 1,878 (2,787) 9' - 2,165 (3,124) 11' - 2,674 (3,882)
 Formed Plate A-Frame

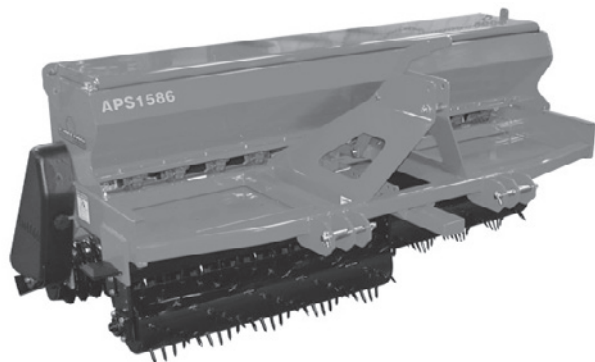
NOTE: Sold under Drill Program. Must pay Freight.

MODEL NUMBER	DESCRIPTION	APPROX. MACHINE-WEIGHT	SHIPPING WEIGHT	LIST PRICE
NTS250782-01-31	25 SERIES NO-TILL SEEDER, 7' Small seeds box and spike front spike roller	1,879#	1,879#	\$ 9,977
CHOOSE OPTIONS		YOU MAY CHOOSE ONE OF THE FOLLOWING		
-41	Pull-Type Hitch			\$ 2,734
-10-41	Native Grass Seed Box with Pull-Type Hitch			\$ 5,828
-11	Native Grass Seed Box without Pull-Type Hitch			\$ 3,094
NTS250982-01-31	25 SERIES NO-TILL SEEDER, 9' Small seeds box and spike front spike roller	2,176#	2,176#	\$ 11,057
CHOOSE OPTIONS		YOU MAY CHOOSE ONE OF THE FOLLOWING		
-41	Pull-Type Hitch			\$ 2,768
-10-41	Native Grass Seed Box with Pull-Type Hitch			\$ 6,020
-11	Native Grass Seed Box without Pull-Type Hitch			\$ 3,252
NTS251182-01-31	25 SERIES NO-TILL SEEDER, 11' Small seeds box and spike front spike roller	2,674#	2,674#	\$ 12,211
CHOOSE OPTIONS		YOU MAY CHOOSE ONE OF THE FOLLOWING		
-41	Pull-Type Hitch			\$ 3,240
-10-41	Native Grass Seed Box with Pull-Type Hitch			\$ 6,971
-11	Native Grass Seed Box without Pull-Type Hitch			\$ 3,731
		YOU MAY CHOOSE AN ACREMETER		
-50	Digital Acremeter			\$ 389

APS15 Series All Purpose Seeders

RETURN TO INDEX

CAT. 1 - 4', 5', 6' • CAT 1 & 2 - 7'



Formed Plate A-Frame
Heavy Duty Lid with Seed Splash Guard
Ground Drive Metering
Seed Shut-off Pin
One BU/FT Water Tight Seed Box with Agitator
Seed Cups: Fluted for Accurate Metering
48": 7, 60": 8, 72": 10, 86": 12
Wide Range of Calibration Settings per Acre & per 1000 Square Feet
Wind Guarded Seed Drop
#40 Chain - Spring Loaded, Easy Access
2 Front Rollers: 8" Diameter
Roller Spikes: 1 1/2" x 1/2"
Front Roller Angling: up to 20 degrees
Rear Roller, Straight:
8" Diameter with spikes and mud scrapers, or
Cast Notched Packer Rings and mud scrapers
Lift Hooks
Optional Small Seeds Box
Fits Land Pride Quick-Hitch
Transport Lights Standard

MODEL NUMBER	DESCRIPTION	APPROX. MACHINE WEIGHT	SHIPPING WEIGHT	LIST PRICE
APS1548-01	15 SERIES ALL PURPOSE SEEDER - 48" Width	547#	872#	\$ 4,452
	<u>YOU MUST CHOOSE A REAR SEED PACKING OPTION</u>			
-11-21	Spike Roller with Mud Scraper	218#	218#	\$ 1,443
-12-22	Cast Iron Notched Roller with Mud Scraper	353#	353#	\$ 1,501
	<u>YOU MAY CHOOSE A SMALL SEEDS BOX</u>			
-91	Small Seeds Box (.95 bushel capacity)	78#	93#	\$ 1,924
APS1560-01	15 SERIES ALL PURPOSE SEEDER - 60" Width	702#	1,042#	\$ 5,269
	<u>YOU MUST CHOOSE A REAR SEED PACKING OPTION</u>			
-11-21	Spike Roller with Mud Scraper	258#	258#	\$ 1,578
-12-22	Cast Iron Notched Roller with Mud Scraper	420#	420#	\$ 1,642
	<u>YOU MAY CHOOSE A SMALL SEEDS BOX</u>			
-91	Small Seeds Box (1.08 bushel capacity)	81#	96#	\$ 2,010
APS1572-01	15 SERIES ALL PURPOSE SEEDER - 72" Width	836#	1,304#	\$ 6,090
	<u>YOU MUST CHOOSE A REAR SEED PACKING OPTION</u>			
-11-21	Spike Roller with Mud Scraper	297#	297#	\$ 1,710
-12-22	Cast Iron Notched Roller with Mud Scraper	486#	486#	\$ 1,782
	<u>YOU MAY CHOOSE A SMALL SEEDS BOX</u>			
-91	Small Seeds Box (1.31 bushel capacity)	84#	99#	\$ 2,094
APS1586-01	15 SERIES ALL PURPOSE SEEDER - 86" Width	1,070#	1,455#	\$ 7,086
	<u>YOU MUST CHOOSE A REAR SEED PACKING OPTION</u>			
-11-21	Spike Roller with Mud Scraper	341#	341#	\$ 1,844
-12-22	Cast Iron Notched Roller with Mud Scraper	591#	591#	\$ 1,921
	<u>YOU MAY CHOOSE A SMALL SEEDS BOX</u>			
-91	Small Seeds Box (1.54 bushel capacity)	88#	103#	\$ 2,201
ADD OPTION NO.	<u>COLOR OPTION (No Option=Buckskin)</u>			
-82	Orange			
	<u>Available through the Parts Dept.</u>			
313-767A	Small Seeds Box - APS1548 S/N 908756+	78#	93#	\$ 1,924
313-769A	Small Seeds Box - APS1560 S/N 908756+	81#	96#	\$ 2,010
313-771A	Small Seeds Box - APS1572 S/N 908756+	84#	99#	\$ 2,094
313-773A	Small Seeds Box - APS1586 S/N 908756+	88#	103#	\$ 2,201
	<u>ACCESSORIES</u>			
316-362S	SMV Sign & Mounting Blade		4#	\$ 35

OS15 Series - 48" Width Overseeders

RETURN TO INDEX

Seeders

25-60 HP



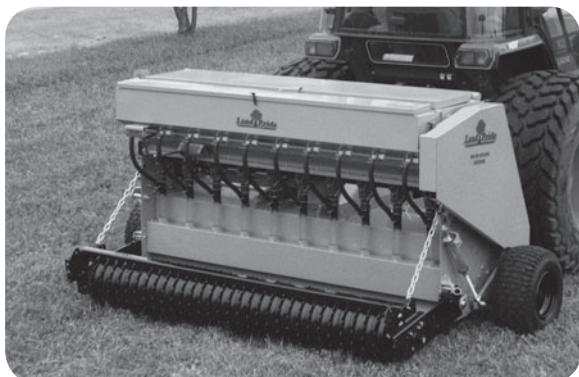
Made in USA
 Hitch: Cat. 1
 Formed Plate A-Frame
 Knives: High Carbon, Heat Treated, 5 per Flange
 Standard: 3/16"
 Curved: 5/32"
 Knife Tip Speed: 2000 fpm
 Rotor Diameter: 18"
 Rotor Speed: 400 rpm
 Tires: Two 8.5" x 18" with Tubes on Wheel Drive
 One bu/ft Water Tight Seed Box with Agitator
 Wide Range of Calibration Settings per Acre and per 1000 Square Feet
 Seed Cups: 7, Powder Metal Flutes for Accurate Metering
 Lift Hooks
 Heavy Duty Slip-Clutch Driveline
 Profile Stamped Chain Box, Drain Plug, Vent Plug
 #80 Roller Chain: Adjustable, Fully Enclosed in Oil Bath
 Seed Rollers: 22 Cast Notched Rollers with Profile Stamped Scraper
 Wind Guarded Splash Plate
 Fits Land Pride Quick-Hitch
 Transport Lights Standard

<u>MODEL NUMBER</u>	<u>DESCRIPTION</u>	<u>APPROX. MACHINE WEIGHT</u>	<u>SHIPPING WEIGHT</u>	<u>LIST PRICE</u>
OS1548-043551	15 SERIES OVERSEEDER - 48" Width, 2" Spacing Curved Blades, Cast Rollers, Gauge Wheel Seed Box Drive	1290#	1460#	\$ 11,069
OS1548-043553	15 SERIES OVERSEEDER - 48" Width, 2" Spacing Curved Blades, Cast Rollers, Roller Seed Box Drive	1250#	1420#	\$ 10,621
OS1548-023553	15 SERIES OVERSEEDER - 48" Width, 3" Spacing Standard Blades, Cast Rollers, Roller Seed Box Drive	1220#	1390#	\$ 10,247
ADD OPTION NO.	SMALL SEEDS BOX For Simultaneous Seeding (Dealer Installed) (.95 Bushel capacity)			
-91	Small Seeds Box with Gauge Wheel Drive		35#	\$ 1,954
-92	Small Seeds Box with Rear Roller Drive		35#	\$ 2,040
	SPRING TINE HARROW Attaches behind the seed drop to help move the seed to the soil			
-21	Spring Tine Harrow (308-316A) (Will not work in conjunction with slit-seeder)		59#	\$ 665
	SLIT SEEDING ATTACHMENT For seeding directly into slits			
308-160A	2" Slit-Seeding Attachment		38#	\$ 986
308-163A	3" Slit-Seeding Attachment		36#	\$ 986
	FRONT ROLLER (Recommended with Roller Seed Box Drive) Full width, Anti-scalping, Depth control, Floating top link			
308-258A	Front Roller - 48"		173#	\$ 1018
ADD OPTION NO.	COLOR OPTION (No Option=Buckskin)			
-82	Orange Available through the Parts Dept.			
308-372A	Small Seeds Box - Gauge Wheel Drive - S/N 908756+			
308-374A	Small Seeds Box - Rear Roller Drive - S/N 908756+			
	ACCESSORIES			
316-362S	SMV Sign & Mounting Blade		4#	\$ 35

OS15 Series - 72" Width Overseeders

RETURN TO INDEX

30-60 HP



Made in USA
 Hitch: Cat. 1
 Formed Plate A-Frame
 Knives: High Carbon, Heat Treated, 5 per Flange
 Standard: 3/16"
 Curved: 5/32"
 Knife Tip Speed: 2000 fpm
 Rotor Diameter: 18"
 Rotor Speed: 400 rpm
 Tires: Two 8.5" x 18" with Tubes on Wheel Drive
 One BU/FT Water Tight Seed Box with Agitator
 Wide Range of Calibration Settings per Acre and per 1000 Square Feet
 Seed Cups: 10, Powder Metal Flutes for Accurate Metering
 Lift Hooks
 Heavy Duty Slip-Clutch Driveline
 Profile Stamped Chain Box, Drain Plug, Vent Plug
 #100 Roller Chain: Adjustable, Fully Enclosed in Oil Bath
 Seed Rollers: 31 Cast Notched Rollers with Profile Stamped Scraper
 Wind Guarded Splash Plate
 Fits Land Pride Quick-Hitch
 Transport Lights Standard

MODEL NUMBER	DESCRIPTION	APPROX. MACHINE WEIGHT	SHIPPING WEIGHT	LIST PRICE
OS1572-043551	15 SERIES OVERSEEDER - 72" Width, 2" Spacing Curved Blades, Cast Rollers, Gauge Wheel Seed Box Drive	1640#	1810#	\$ 14,414
OS1572-043553	15 SERIES OVERSEEDER - 72" Width, 2" Spacing Curved Blades, Cast Rollers, Roller Seed Box Drive	1600#	1770#	\$ 13,966
OS1572-023553	15 SERIES OVERSEEDER - 72" Width, 3" Spacing Standard Blades, Cast Rollers, Roller Seed Box Drive	1565#	1735#	\$ 13,476
ADD OPTION NO.	SMALL SEEDS BOX For simultaneous seeding (Dealer Installed) Approx. One Bushel Capacity (1.36 Bushel)			
-91	Small Seeds Box with Gauge Wheel Drive		45#	\$ 2,119
-92	Small Seeds Box with Rear Roller Drive		45#	\$ 2,218
	SPRING TINE HARROW Attaches behind the seed drop to help move the seed to the soil			
-21	Spring Tine Harrow (308-317A) (Will not work in conjunction with slit-seeder)		78#	\$ 851
	SLIT SEEDING ATTACHMENT For seeding directly into slits			
308-152A	2" Slit-Seeding Attachment		56#	\$ 1,202
308-155A	3" Slit-Seeding Attachment		55#	\$ 1,202
	FRONT ROLLER (Recommended with Roller Seed Box Drive) Full Width, Anti-Scalping, Depth Control, Floating Top Link			
308-259A	Front Roller - 72"		205#	\$ 1,384
ADD OPTION NO.	COLOR OPTION (No Option=Buckskin)			
-82	Orange			
	Available through the Parts Dept.			
308-377A	Small Seeds Box - Gauge Wheel Drive - S/N 908756+	71#	78#	\$ 1,954
308-379A	Small Seeds Box - Rear Roller Drive - S/N 908756+	71#	78#	\$ 2,040
	ACCESSORIES			
316-362S	SMV Sign & Mounting Blade		4#	\$ 35

PS15 Series Primary Seeders

[RETURN TO INDEX](#)

Seeders

25-60 HP CAT. 1



Made in USA
 Hitch: Cat. 1
 Seeding Width: 70¹/₂"
 Formed Plate A-Frame
 Heavy Duty Lid with Seed Splash Guard
 Ground Drive Metering
 One BU/FT Water Tight Seed Box with Agitator
 Seed Cups: 10 Fluted for Accurate Metering
 Wide Range of Calibration Settings per Acre & per
 1000 Square Feet
 Wind Guarded Seed Drop
 #40 Chain - Spring Loaded, Easy Access
 Front Roller: 29 Rings - 12" Diameter Packer Wheels
 Rear Roller: 30 Rings
 9¹/₂" Diameter, Spring Loaded with Flexing Ability
 Roller Spindles:
 1¹/₂" Front, 1" Rear with Greasable Bearings
 Spring-Tine Track Removers: Two Each
 Lift Hooks
 Fits Land Pride Quick-Hitch
 Transport Lights Standard

MODEL NUMBER	DESCRIPTION	APPROX. MACHINE WEIGHT	SHIPPING WEIGHT	LIST PRICE
PS1572	15 SERIES PRIMARY SEEDER 72" Width with Dual Track Removers	1165#	1320#	\$ 7,028
ADD OPTION NO.	COLOR OPTION (No Option=Buckskin)			
-82	Orange			
	ACCESSORIES			
316-362S	SMV Sign & Mounting Blade		4#	\$ 35

PTS Series Pull-Type Spreaders

RETURN TO INDEX

Pull-Type



Hitch: Pull-Type, 2" Ball Hitch
 Ground Driven
 Spin-Type Broadcast
 Two Hopper Sizes
 Hopper: One Piece, Seamless Polyethylene
 Heavy-Duty Tubular Frame
 Plated Vanes and Spinner
 Plated Adjustment Levers
 Loading Height: 54" Average
 Max. Spreading Width: 39-46 Ft. (Based on 8 mph)
 Spreading Capacity: 44-890 lbs
 Three Pattern Settings
 Overall Width: 41"
 Wheel Size: 16x6.5-8
 Acres Covered Per Hour: 7-15
 (depending on slide opening)

NUMBER	DESCRIPTION	APPROX. MACHINE WEIGHT	SHIPPING WEIGHT	LIST PRICE
PTS500	FERTILIZER SPREADER 350 lb / 5.85 cu. ft. capacity	165#	185#	\$ 1,333
PTS700	FERTILIZER SPREADER 563 lb / 9.38 cu. ft. capacity	176#	196#	\$ 1,396
<u>Available through the Parts Dept.</u>				
891-145C	PTS500 Hopper Cover			\$ 78
891-146C	PTS700 Hopper Cover			\$ 98

PFS Series Pendulum Spreaders

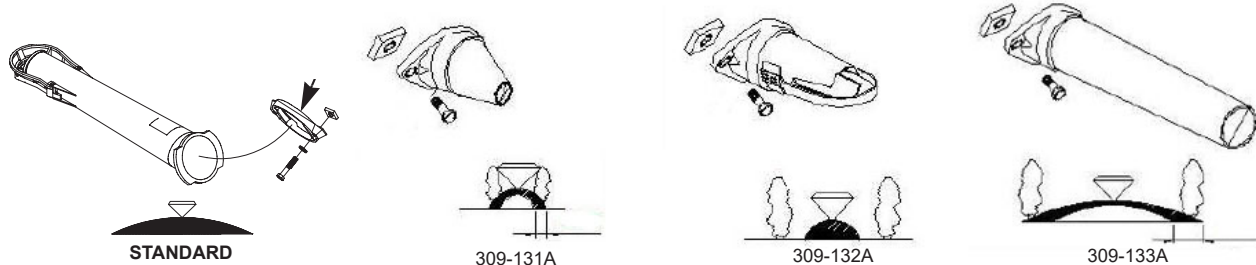
RETURN TO INDEX

Seeders



Hitch: PFS4000: Cat. 1
PFS5060: Cat. 1 & 2
PFS8010: Cat. 2
Delivery: Pendulum Type
Manual Opening System
540 rpm
Six Hopper Configurations
Hopper: One Piece, Seamless Fiberglass
(PFS4000 is Cone Shape Polyethylene)
Heavy-Duty Tubular Frame
Shielded Driveline
Spreading Width w/Standard Plastic Spout: 20' to 46'
Spreading Capacity: 44-890 lbs/Acre
Gearbox: 1³/₈" Shaft
Plated Adjustment Levers

NUMBER	DESCRIPTION		APPROX. MACHINE WEIGHT	SHIPPING WEIGHT	LIST PRICE
PFS4000	PENDULUM SPREADER 925 lb capacity		270#	295#	\$ 2,537
PFS5060	PENDULUM SPREADER 1150 lb capacity		391#	416#	\$ 3,426
ADD OPTION NO. (PFS5060 only)					
-01	Top Extension - increases PFS5060 capacity to 1,393 lbs.	(309-127A)	25#	25#	\$ 578
-10	Hydraulic Opening System	(309-126A)	15#	15#	\$ 481
-20	Agitator	(309-134A)	10#	10#	\$ 155
PFS8010	PENDULUM SPREADER 2040 lb capacity		504#	529#	\$ 4,314
ADD OPTION NO. (PFS8010 only)					
-01	Top Extension - increases PFS8010 capacity to 2,522 lbs.	(309-128A)	30#	30#	\$ 625
-02	Top Extension - increases PFS8010 capacity to 2,998 lbs.	(309-129A)	40#	40#	\$ 672
-10	Hydraulic Opening System	(309-130A)	15#	15#	\$ 506
-20	Agitator	(309-134A)	10#	10#	\$ 155
Additional Spouts Available through the Parts Department (for all models)					
309-131A	Stainless Steel Short Spout for Narrow Spreading; 2'4" to 14'8"				\$ 907
309-132A	Stainless Steel Spout for Vineyards; 6'6" to 13'1"				\$ 824
309-133A	Stainless Steel Spout for Vineyards/Orchards; 6'6" to 32'9"				\$ 756
309-136A	Small Seeds Plate Limiter (closes off parts of seed openings to control the flow of small seeds)				\$ 114



FSP Series Fertilizer Spreaders

RETURN TO INDEX

Cat. 1



Hitch: Category 1 (Not QH Adaptable)
540 rpm
Spin-Type Broadcast
Three Hopper Sizes
Hopper: One Piece, Seamless Polyethylene
Heavy-Duty Tubular Frame
Shielded Driveline
Plated Vanes
Loading Height:
 FSP500: 3'
 FSP700: 3'4"
 FSP1000: 3'9"
Spreading Width: Up to Approx. 54 Ft.
Spreading Capacity: 44-890 lbs/Acre
Gearbox: 1:1 Ratio, 1³/₈" Shaft
Three Pattern Settings
Plastic Agitator Wheel, Steel Arm
Stainless Steel Orifice Doors
Plated Adjustment Levers

NUMBER	DESCRIPTION	APPROX. MACHINE WEIGHT	SHIPPING WEIGHT	LIST PRICE
Price for 1 Spreader				
FSP500-81	FERTILIZER SPREADER 350 lb / 5.85 cu. ft. capacity	102#	102#	\$ 859
FSP700-81	FERTILIZER SPREADER 563 lb / 9.38 cu. ft. capacity	112#	112#	\$ 899
FSP1000-81	FERTILIZER SPREADER 673 lb / 11.22 cu. ft. capacity	125#	125#	\$ 945
Price for 2 to 5 Spreaders - Any Combination				
FSP500-82	FERTILIZER SPREADER 350 lb / 5.85 cu. ft. capacity	102#	102#	\$ 823
FSP700-82	FERTILIZER SPREADER 563 lb / 9.38 cu. ft. capacity	112#	112#	\$ 863
FSP1000-82	FERTILIZER SPREADER 673 lb / 11.22 cu. ft. capacity	125#	125#	\$ 909
Price for 6 or More Spreaders - Any combination				
FSP500	FERTILIZER SPREADER 350 lb / 5.85 cu. ft. capacity	102#	102#	\$ 788
FSP700	FERTILIZER SPREADER 563 lb / 9.38 cu. ft. capacity	112#	112#	\$ 828
FSP1000	FERTILIZER SPREADER 673 lb / 11.22 cu. ft. capacity	125#	125#	\$ 874
<u>Available through the Parts Dept.</u>				
	Hopper Cover			
891-145C	FSP500 Cover			78
891-146C	FSP700 & FSP1000 Hopper Cover			98

SBR Series Seed Bed Roller

Seeders

18-52 HP



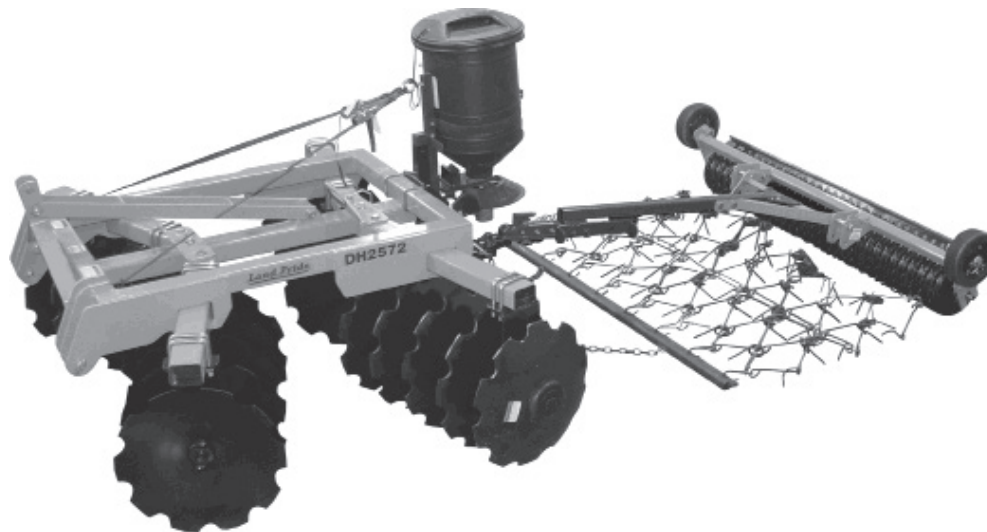
Hitch: Cat 1 with Optional Pull-Type Tongue with indexing Clevis and 2" Ball combination
 Working Width: 72"
 Overall Width: 3 Point: 72: 77"
 Pull Type: 72: 84"
 Roller Diameter: 11³/₈"
 Roller Material: Gray Iron
 Profiled Roller Scraper
 Transport Tires on Pull Type, 2 ea 10" x 3¹/₄"
 Hitch Support Stand
 Fits Land Pride Quick Hitch (3 Point model)

MODEL NUMBER	DESCRIPTION	APPROX. MACHINE WEIGHT	SHIPPING WEIGHT	LIST PRICE
SBR72	72" SEED BED ROLLER - 3 Point Cat. 1 Hitch	442#	462#	\$ 1,873
SBR72-01	72" SEED BED ROLLER - with Pull Tongue & Transport Tires	478#	498#	\$ 2,402

ADD OPTION NO. COLOR OPTION (No Option=Buckskin)
 -82 Orange

*When Pull Tongue is removed, hitch straps can be rotated upward to form a 3-point hitch.

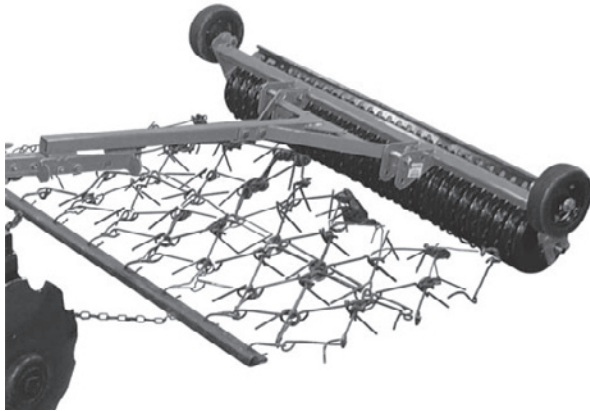
Use as a stand alone product, or combine with a Disc Harrow (DH Series) with the Seeding Option package (option no. 40), and a Drag Harrow (DRG Series) for a complete seeding package! Each sold separately.



DRG Series Drag Harrows

[RETURN TO INDEX](#)

MIN HP: 4: 8 HP • 6: 12 HP • 8: 16 HP



Drag Harrow shown with Seed Bed Roller

Hitch: 2 Log Chains with Pull Ring
 Number of Tines: 4': 60 6': 90 8': 120
 Tine Diameter: 1/2"
 Tine Construction: High Carbon Steel

MODEL NUMBER	DESCRIPTION	APPROX. MACHINE WEIGHT	SHIPPING WEIGHT	LIST PRICE
DRG04	DRAG HARROW - 4'W x 4'L	89#	109#	\$ 452
DRG06	DRAG HARROW - 6'W x 4'L	138#	158#	\$ 557
DRG08	DRAG HARROW - 8'W x 4'L	185#	205#	\$ 665

RETURN TO INDEX

FPS48 Series Food Plot Seeders

Seeders

Pull-Type



Length: 104"
 Width: 54"
 Weight Load on Each Disc: 46 lbs
 Number of Disc Blades: 8
 Disc Blade Size & Type: 16" Notched
 Blade Spacing: 7 1/2"
 Transport / Gauging Tires: 13" Diameter 4 Ply Tubeless
 Bearing Hanger: 3/8" Plate
 Bearing Type, 2 per Gang: Self Aligning, Sealed Bearing
 Gang Tube: 3" x 2"
 Gang Axle: 1" Square High Carbon Steel
 Disc Angle: Front Gang: 0, 7, 14 & 21 Degrees
 Rear Gang: 0, 7, 14 & 21 Degrees
 Frame Construction: 2" x 2" Square Tubular Design
 Lifting Device: Electric Actuator, 12 Volt or Ratchet Jack
 Rear Axle Pivot Type: Greasable
 Rear Roller Bearing: Greasable
 Packer Roller Width: 40 - 7/16"
 Spreading Device: Spin Spreader, 12V,
 Electrically operated
 Spreader Hopper Loading Height: 42" off Ground
 Spreader Hopper Volume/Capacity: 2 cu. ft. (15 gallons)
 (100 lbs. Maximum Capacity Weight)
 Spin Spreader
 Deflector Small Seed
 Restrictor

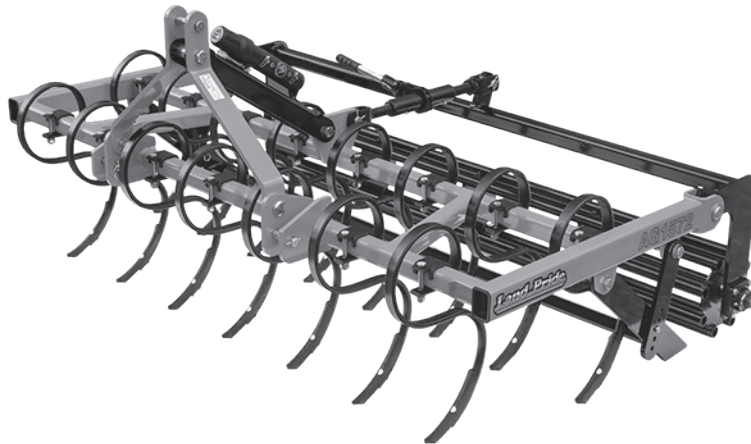
Hitch Type: Pull Type with Combination 2" Ball Hitch
 and Clevis Hitch
 Disc Cutting Width: 40"- 50"
 Minimum ATV Size: 350 cc
 Minimum Tractor / Vehicle Size: 17 HP
 Height: 52"

MODEL NUMBER	DESCRIPTION	APPROX. MACHINE WEIGHT	SHIPPING WEIGHT	LIST PRICE
FPS48-11	48" FOOD PLOT SEEDER: PLOT RANGER Spin Spreader & Rear Roller	510#	690#	\$ 2,735
FPS48	48" FOOD PLOT SEEDER: PLOT RANGER Disc Only	370#	480#	\$ 1,753
<u>YOU MUST CHOOSE ONE TRANSPORT LIFT PACKAGE</u>				
-20	Ratchet Jack Lift		15#	\$ 100
-21	Electric Actuator Lift		14#	\$ 779
<u>COLOR OPTION (No Option=Buckskin)</u>				
-82	Orange			
Available through the Parts Department				
322-129S	SPREADER ONLY with mounting bracket for use with a 2" Receiver		25#	\$ 691

AG15 Arena Groomers

RETURN TO INDEX

18-45 HP



- Cat. 1 3-Point Hitch
- Quick Hitch Compatible
- Working Width: 60", 72", 84"
- 4" Working Depth
- Ratchet Jack Depth Control
- 2x2 Square Tubing Cross Frame
- 2x3 End Tube
- S-Tines with Replaceable Tips
- Adjustable Depth Roller, Mesh or Pipe
- Adjustable Leveling Bar

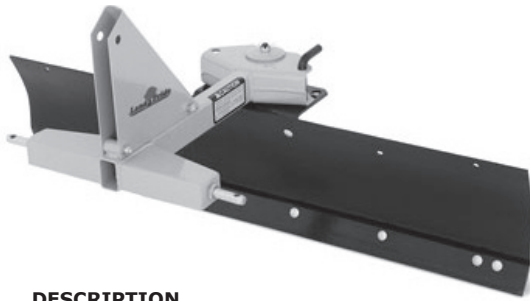
Orange ONLY

MODEL NUMBER	DESCRIPTION	APPROX. MACHINE WEIGHT	SHIPPING WEIGHT	LIST PRICE
AG1560-82	15 SERIES ARENA GROOMER - 60"	326#	355#	\$ 1,288
OPTIONS	<u>You MUST Choose a Rear Roller</u>			
-10	Pipe Roller (307-327A)	175#		\$ 778
-11	Mesh Roller (307-328A)	144#		\$ 886
AG1572-82	15 SERIES ARENA GROOMER - 72"	363#	394#	\$ 1,473
OPTIONS	<u>You MUST Choose a Rear Roller</u>			
-10	Pipe Roller (307-329A)	197#		\$ 824
-11	Mesh Roller (307-330A)	157#		\$ 958
AG1584-82	15 SERIES ARENA GROOMER - 84"	398#	423#	\$ 1,579
OPTIONS	<u>You MUST Choose a Rear Roller</u>			
-10	Pipe Roller (307-331A)	218#		\$ 870
-11	Mesh Roller (307-332A)	170#		\$ 1,040

RETURN TO INDEX

RB05 Series

17-25 HP



Hitch: Cat. 1
Blade Angles:
5 Fwd Up to 30 Degrees; 5 Reverse Up to 30 Degrees
Offset: 10" Left or Right
Moldboard Height: 13 1/2"
Moldboard Thickness: 1/4"
Cutting Edge: 3/8" x 3" Heat Treated; Bolt-On
Parking Stand
Landscape Rake Adaptable

MODEL NUMBER	DESCRIPTION
RB0548	05 SERIES REAR BLADE - 48" Width
RB0560	05 SERIES REAR BLADE - 60" Width
ADD OPTION NO.	COLOR OPTION (No Option=Buckskin)
-82	Orange

APPROX. MACHINE WEIGHT	SHIPPING WEIGHT	LIST PRICE
128#	164#	\$ 534
143#	179#	\$ 558

List Price is for Each:
RB05s Are Packaged 2 Units Per Crate.

Dirtworking

RB15 Series

17-40 HP



Hitch: Cat. 1
Blade Angles:
7 Forward Up to 45 Degrees
5 Reverse Up to 30 Degrees
Offset: 12" Left or Right
Moldboard Height: 14"
Moldboard Thickness: 1/4"
Cutting Edge: 1/2" x 6" Heat Treated; Reversible & Replaceable
Landscape Rake Adaptable
Parking Stand
Fits Land Pride Quick-Hitch

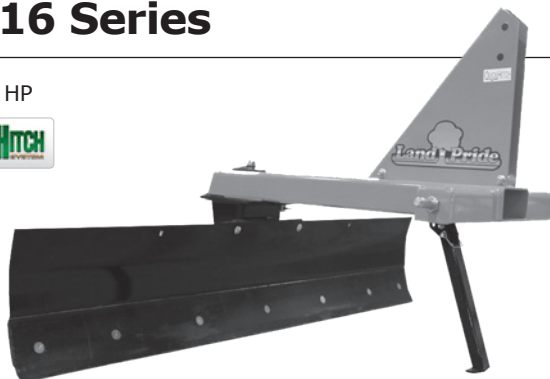
MODEL NUMBER	DESCRIPTION
RB1560	15 SERIES REAR BLADE - 60" Width
RB1572	15 SERIES REAR BLADE - 72" Width
RB1584	15 SERIES REAR BLADE - 84" Width
ADD OPTION NO.	COLOR OPTION (No Option=Buckskin)
-82	Orange

APPROX. MACHINE WEIGHT	SHIPPING WEIGHT	LIST PRICE
248#	284#	\$ 662
269#	305#	\$ 740
289#	325#	\$ 802

List Price is for each:
RB15s Are Packaged 2 Units Per Crate.

RB16 Series

20-40 HP



Hitch: Cat. 1
Moldboard Height: 14"
Moldboard Thickness: 1/4"
Cutting Edge: 1/2" x 6" Heat Treated; Reversible & Replaceable
Fits Land Pride Quick-Hitch
Tilt: 5 Positions Up to 15 Degrees
Offset: Left 12", Right 12"
Angles: 7 Forward Up to 45 Degrees
3 Reverse Up to 30 Degrees
Parking Stand

MODEL NUMBER	DESCRIPTION
RB1660	16 SERIES REAR BLADE - 60" Width with 3-Way Position
RB1672	16 SERIES REAR BLADE - 72" Width with 3-Way Position
RB1684	16 SERIES REAR BLADE - 84" Width with 3-Way Position
ADD OPTION NO.	COLOR OPTION (No Option=Buckskin)
-82	Orange

APPROX. MACHINE WEIGHT	SHIPPING WEIGHT	LIST PRICE
283#	319#	\$ 879
297#	338#	\$ 931
319#	355#	\$ 1,000

List Price is for each:
RB16s Are Packaged 2 Units Per Crate.

See pg. 108 for Hydraulic Angling & Other Accessories

RB26 Series

RETURN TO INDEX

25-60 HP



Hitch: Cat. 1
 Blade Angles:
 7 Forward Up to 45 Degrees
 3 Reverse Up to 30 Degrees
 Moldboard Height: 17¹/₂"
 Moldboard Thickness: ⁵/₁₆"
 Cutting Edge: ¹/₂" x 6" Heat Treated;
 Replaceable & Reversible
 Tilt: 5 Positions Up to 30 Degrees
 Offset: Left 12", Right 12"
 Mechanical or Optional Hydraulics for Angling
 Parking Stand
 Fits Land Pride Quick-Hitch

<u>MODEL NUMBER</u>	<u>DESCRIPTION</u>	<u>APPROX. MACHINE WEIGHT</u>	<u>SHIPPING WEIGHT</u>	<u>LIST PRICE</u>
RB2672	26 SERIES REAR BLADE - 72" Width with 3-Way Position	369#	401#	\$ 1,188
RB2684	26 SERIES REAR BLADE - 84" Width with 3-Way Position	396#	428#	\$ 1,260
RB2696	26 SERIES REAR BLADE - 96" Width with 3-Way Position	425#	457#	\$ 1,355
ADD				
OPTION NO.	COLOR OPTION (No Option=Buckskin)			
-82	Orange			

See pg. 108 for Hydraulic Angling & Other Accessories

RB37 Series

35-80 HP



Hitch: Cat. 1 & 2 Combination
 Blade Angles:
 7 Forward Up to 45 Degrees
 3 Reverse Up to 30 Degrees
 Offset: 26" Left, 26" Right
 Tilt: 7 Positions Up to 22.5 Degrees,
 Left or Right, 45 Degrees Total
 Moldboard Height: 17"
 Moldboard Thickness: ⁵/₁₆"
 Cutting Edge: ¹/₂" x 6" Heat Treated;
 Reversible & Replaceable
 Parking Stand
 Fits Land Pride Quick-Hitch

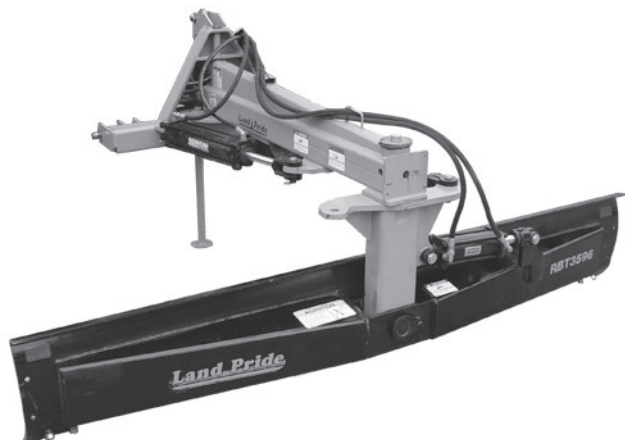
<u>MODEL NUMBER</u>	<u>DESCRIPTION</u>	<u>APPROX. MACHINE WEIGHT</u>	<u>SHIPPING WEIGHT</u>	<u>LIST PRICE</u>
RB3772	37 SERIES REAR BLADE - 72" Width	484#	521#	\$ 1,684
RB3784	37 SERIES REAR BLADE - 84" Width	533#	570#	\$ 1,823
RB3796	37 SERIES REAR BLADE - 96" Width	566#	603#	\$ 1,888
ADD				
OPTION NO.	COLOR OPTION (No Option=Buckskin)			
-82	Orange			

See pg. 108 for Other Accessories

RBT35 Series - 3-Way Hydraulic Rear Blades

RETURN TO INDEX

2WD: 35-80 HP • 4WD: Up to 65 HP



Hitch: Cat. 1 or 2 (Quick Hitch Adaptable)
 Hydraulic Adjustments with Hose & Fittings
 Blade Angles: Manual: 10 Degree Increments
 Hydraulic: Up to 50 Degrees
 Offset: Up to 30" Left & Right
 Tilt: Up to 20 Degrees
 Moldboard: 17" Tall, 5/16" Thick; 3/16" Tapered
 Reinforcement Channel
 Moldboard Kingpin: 3"
 Cutting Edge: 1/2" x 6" Heat Treated; Reversible
 Main Frame: Fully Welded, Tubular Construction
 Retractable Parking Stand
 Fits Land Pride Quick-Hitch

Dirtworking

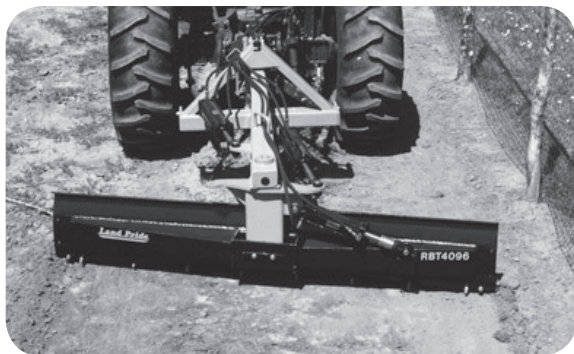
<u>MODEL NUMBER</u>	<u>DESCRIPTION</u>	<u>APPROX. MACHINE WEIGHT</u>	<u>SHIPPING WEIGHT</u>	<u>LIST PRICE</u>
RBT3584	35 SERIES REAR BLADE - 84" width - Base Unit	709#	829#	\$ 2,509
RBT3596	35 SERIES REAR BLADE - 96" width - Base Unit	745#	865#	\$ 2,604
ADD				
<u>OPTION NO.</u>	<u>OFFSET FEATURE</u>			
-01	Hydraulic Offset - 3 1/2" x 14" Cylinder (300-216A)	44#	44#	\$ 351
-02	Manual Offset Link (300-217A)	27#	27#	\$ 177
<u>TILT FEATURE</u>				
-11	Hydraulic Tilt - 2" x 6" Cylinder (300-225A)	25#	25#	\$ 303
-12	Manual Tilt Ratchet (890-637C)	13#	13#	\$ 73
<u>ANGLE FEATURE</u>				
-21	Hydraulic Angle - 3 1/2" x 14" Cylinder (300-216A)	44#	44#	\$ 351
-22	Manual Angle Link (300-224A)	26#	26#	\$ 177
<u>COLOR OPTION (No Option=Buckskin)</u>				
-82	Orange			
<u>ACCESSORIES</u>				
301-208A	Hydraulic Cushion Valve and Hoses		30#	\$ 542
301-258A	Hydraulic Selector Valve (for use with two duplex outlets) Will allow operation of 3 cylinders with two tractor outlets		35#	\$ 248
301-010A	Side Plates		30#	\$ 168
301-186A	Skid Shoes - S/N 633629 & below		42#	\$ 243
301-333A	Skid Shoes - S/N 633630 & above		42#	\$ 243
300-219A	Single Gauge Wheel - Hydraulically Controlled		85#	\$ 922
300-227A	Single Gauge Wheel - Manually Controlled		85#	\$ 577

Hydraulic Cushion Valve cushions the shock load to one cylinder by allowing the oil to flow back to the other cylinders.

RBT40 Series - 3-Way Hydraulic Rear Blades

RETURN TO INDEX

2WD: 65-100 HP • 4WD: Up to 75 HP



Hitch: Cat. 1 or 2 (Quick Hitch Adaptable)
 Hydraulic Adjustments with Hose & Fittings
 Blade Angles: 15, 30 & 45 Degrees Left
 & Right: Forward & Reverse
 Offset: Up to 30" Left & Right
 Tilt: Up to 15 Degrees
 Moldboard: 17" Tall, 5/16" Thick; 1/4" Tapered
 Reinforcement Channel
 Moldboard Kingpin: 3"
 Cutting Edge: 1/2" x 6" Heat Treated; Reversible
 Main Frame: Fully Enclosed Welded, Formed Box
 Retractable Parking Stand
 Fits Land Pride Quick-Hitch

MODEL NUMBER	DESCRIPTION	APPROX. MACHINE WEIGHT	SHIPPING WEIGHT	LIST PRICE
RBT4096	40 SERIES REAR BLADE - 96" width - Base Unit	739#	884#	\$ 3,067
RBT40108	40 SERIES REAR BLADE - 108" width - Base Unit	789#	934#	\$ 3,237
ADD				
OPTION NO.	OFFSET FEATURE			
-01	Hydraulic Offset - 3 1/2"x16"x1-1/4" Cylinder (300-181A)	39#	39#	\$ 399
-02	Manual Offset Link (300-182A)	31#	31#	\$ 248
TILT FEATURE				
-11	Hydraulic Tilt - 3"x6"x1-1/4" Cylinder (300-183A)	31#	31#	\$ 399
-12	Manual Tilt Ratchet (890-637C)	13#	13#	\$ 73
ANGLE FEATURE				
-21	Hydraulic Angle - 3 1/2"x16"x1-1/4" Cylinder (300-181A)	39#	39#	\$ 399
-22	Manual Angle Link (300-182A)	31#	31#	\$ 248
COLOR OPTION (No Option=Buckskin)				
-82	Orange			
ACCESSORIES				
301-208A	Hydraulic Cushion Valve and Hoses for RBT4084 & 96		30#	\$ 542
301-187A	Hydraulic Cushion Valve and Hoses for RBT40108		10#	\$ 542
301-188A	Hydraulic Selector Valve (for use with two duplex outlets) Will allow operation of 3 cylinders with two tractor outlets		35#	\$ 248
301-010A	Side Plates		30#	\$ 168
301-186A	Skid Shoes - S/N 633691 & below		42#	\$ 243
301-333A	Skid Shoes - S/N 633882 & above		42#	\$ 243

Hydraulic Cushion Valve cushions the shock load to one cylinder by allowing the oil to flow back to the other cylinders.

RBT45 Series - 3-Way Hydraulic

RETURN TO INDEX

70-125 HP



Hitch: Cat. 2 or 3 (Quick Hitch Adaptable)
 Hydraulic Adjustments with Hose
 Blade Angles: up to 45 Degrees Left & Right
 Forward & Reverse, 4-1/2" x 16" x 2" Cylinder
 Offset: Up to 35" Left & Right, 4-1/2" x 16" x 2" Cylinder
 Tilt: Up to 15 Degrees, 3-1/2" x 8" x 1-1/4" Cylinder
 Moldboard: 19" Tall, 5/16" Thick; 1/4" Tapered
 Reinforcement Channel
 Cutting Edge: 1/2" x 6" Heat Treated; Reversible
 Main Frame: Fully Enclosed Welded, Formed Box
 Retractable Parking Stand

Dirtworking

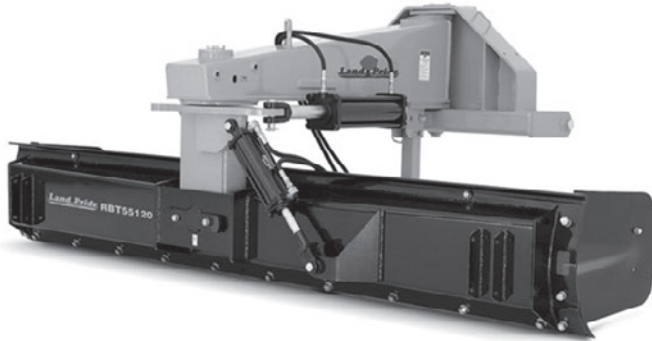
MODEL NUMBER	DESCRIPTION	APPROX. MACHINE WEIGHT	SHIPPING WEIGHT	LIST PRICE
RBT4596-011121	45 SERIES REAR BLADE 96" Width - Hydraulic Adjustments	1130#	1271#	\$ 5,422
RBT45108-011121	45 SERIES REAR BLADE 108" Width - Hydraulic Adjustments	1166#	1307#	\$ 5,619
ADD OPTION NO.	COLOR OPTION (No Option=Buckskin)			
-82	Orange			
	GAUGE WHEEL OPTIONS			
301-225A	Hydraulic Single Gauge Wheels Includes 6" x 21" Laminated Tire, 3" x 8" Cylinder, Hoses & Fittings		190#	\$ 1,747
301-281A	Manual Single Gauge Wheel		190#	\$ 1,411
301-236A	Hydraulic Dual Gauge Wheels Includes 2 ea. 6" x 21" Laminated Tires, 3" x 8" Cylinder, Hoses & Fittings		230#	\$ 2,052
301-282A	Manual Dual Gauge Wheels		230#	\$ 1,715
	ACCESSORIES			
301-235A	96" Cylinder Cushion Valve		11#	\$ 511
301-234A	108" Cylinder Cushion Valve		12#	\$ 511
301-227A	Selector Control Valve-for use with single duplex unit (Will allow operation of 3rd cylinder w/two tractor outlets)		12#	\$ 235
301-147A	Side Plates		56#	\$ 379
301-186A	Skid Shoes - S/N 633881 & below		42#	\$ 243
301-333A	Skid Shoes - S/N 633882 & above		42#	\$ 243

Hydraulic Cushion Valve cushions the shock load to one cylinder by allowing the oil to flow back to the other cylinders.

RBT55 Series - 3-Way Hydraulic

RETURN TO INDEX

90-180 HP



Hitch: Cat. 2 or 3 (Quick Hitch Adaptable)
 Hydraulic Adjustments with Hose
 Blade Angles: 15 Positions; 15, 30 & 45 Degrees Left
 & Right: Forward & Reverse, 4 1/2 x 16 x 2 Cylinder
 Offset: Up to 33" Left & Right, 4 1/2 x 16 Cylinder
 Tilt: Up to 30 Degrees, 3 x 8 x 2 Cylinder
 Moldboard: 19" Tall, 5/16" Thick; 1/4" Tapered
 Reinforcement Channel
 Cutting Edge: 1/2" x 6" Heat Treated; Reversible
 Main Frame: Fully Enclosed Welded, Formed Box
 Retractable Parking Stand

MODEL NUMBER	DESCRIPTION	APPROX. MACHINE WEIGHT	SHIPPING WEIGHT	LIST PRICE
RBT55120-011121	55 SERIES REAR BLADE 120" Width - Hydraulic Adjustments	1753#	1885#	\$ 7,666
ADD OPTION NO. -82	COLOR OPTION (No Option=Buckskin) Orange			
	GAUGE WHEEL OPTIONS			
301-149A	Hydraulic Single Gauge Wheel Includes 6" x 21" Laminated Tire, 3" x 8" Cylinder, Hoses & Fittings		190#	\$ 1,747
301-283A	Manual Single Gauge Wheel		190#	\$ 1,411
301-150A	Hydraulic Dual Gauge Wheel Includes 2 ea. 6" x 21" Laminated Tires, 3" x 8" Cylinder, Hoses & Fittings		230#	\$ 2,052
301-284A	Manual Dual Gauge Wheel		230#	\$ 1,715
	ACCESSORIES			
301-110A	Skid Shoes		40#	\$ 340
301-147A	Side Plates		56#	\$ 379
301-148A	Hardened Wear Edge Plates - Pair		10#	\$ 178
300-154A	Double Selector Valve with Stand		37#	\$ 551

Bushings may be needed when used with Cat. 2 Quick-Hitch. Please contact our Parts Dept.

RBT60 Series - 3-Way Hydraulic - Heavy Duty

RETURN TO INDEX

Dirtworking

Max. Tractor HP: 2 Wheel Drive: 10' - 225 HP 12' - 175 HP
 4 Wheel Drive: 10' - 200 HP 12' - 160 HP



Hitch: Cat. 2 or 3 (Quick Hitch Adaptable)
 Hydraulic Adjustments with Hoses
 Hydraulic Hose Storage
 Blade Angles: up to 45 Degrees
 Forward & Reverse
 Offset: Up to 55" Left & Right
 Tilt: Up to 30 Degrees
 Moldboard: 19" Tall, 1/2" Thick w/Reinforcement Channel
 Kingpin: 4 1/2" Solid Steel Bar
 Cutting Edge: 1/2" x 6" Heat Treated
 Main Frame: Fully Enclosed Welded, Formed Box
 Retractable Parking Stand
 Angle Cylinder: 5" x 18"
 Tilt Cylinder: 3 1/2" x 8"
 Offset Cylinder: 5" x 18"
 Overall Length: 6'6"
 Overall Length w/Gauge Wheel: 11'2"

MODEL NUMBER	DESCRIPTION	APPROX. MACHINE WEIGHT	SHIPPING WEIGHT	LIST PRICE
RBT6010	60 SERIES REAR BLADE 10' Width - All Hydraulic Adjustments	2260#	2,442#	\$ 10,030
RBT6012	60 SERIES REAR BLADE 12' Width - All Hydraulic Adjustments	2400#	2,582#	\$ 10,687
ADD OPTION NO.	COLOR OPTION (No Option=Buckskin)			
-82	Orange			
	GAUGE WHEEL OPTIONS			
301-351A	Hydraulic Dual Gauge Wheel Includes 2 ea. 6" x 21" Laminated Tires, 3 1/2" x 8" Cylinder, Hoses & Fittings	200#	200#	\$ 2,188
ACCESSORIES				
301-437A	Skid Shoes - Pair	40#	40#	\$ 353
301-355A	Side Plates	56#	56#	\$ 386

Quick-Hitch cannot be used in conjunction with Gauge Wheel.

Blade Accessories

[RETURN TO INDEX](#)

PART NUMBER	DESCRIPTION	APPROX. MACHINE WEIGHT	SHIPPING WEIGHT	LIST PRICE
301-012A	Skid Shoes for RB(T)1560, RB(T)1584, RB25, RB35 - S/N 633207 & below, RB1572 S/N 58799 & below	24#	24#	\$ 217
301-138A	Skid Shoes for RB(T)1572 - S/N 58800 to 633207	27#	27#	\$ 217
301-330A	Skid Shoes for RB(T)15, RB16, RB25, RB26, RB35 - S/N 633208 & above	27#	27#	\$ 217
301-333A	Skid Shoes for RB36 & RB37	42#	42#	\$ 243
300-081A	3½" x 8" Hydraulic Cylinder, Hoses & Fittings used for: 35 Series Frame Offsetting 25 & 35 Series Single Gauge Wheel	39#	39#	\$ 480
301-010A**	End Plates for RB25, RB26, RB35, RB37	30#	30#	\$ 168
301-526A	Hydraulic Angle Kit - 16 Series (S/N 985650+)	35#	35#	\$ 307
301-426A	Hydraulic Angle Kit - 26 Series (S/N 985649-)	35#	35#	\$ 307
301-524A	Hydraulic Angle Kit - 26 Series (S/N 985650+)	35#	35#	\$ 307
301-404A	Hydraulic Angle Kit - 37 Series	40#	40#	\$ 370
PART NUMBER	<u>15 SERIES LANDSCAPE RAKE ATTACHMENT*</u>			
302-170A	60" Rake Attachment* (for RB15 Rear Blades S/N 32360+)	170#	211#	\$ 699
302-171A	72" Rake Attachment* (for RB15 Rear Blades S/N 32360+)	195#	236#	\$ 830
302-172A	84" Rake Attachment* (for RB15 Rear Blades S/N 32360+)	225#	266#	\$ 957
302-173A	96" Rake Attachment* (for RB15 Rear Blades S/N 32360+)	245#	286#	\$ 1,055
	<u>25 & 35 SERIES LANDSCAPE RAKE ATTACHMENTS</u>			
302-168A	84" Rake Attachment	230#	255#	\$ 1,182
302-169A	96" Rake Attachment	250#	275#	\$ 1,338
	<u>26 SERIES LANDSCAPE RAKE ATTACHMENTS</u>			
302-308A	84" Rake Attachment	230#	255#	\$ 1,182
302-309A	96" Rake Attachment	250#	275#	\$ 1,338
	<u>36/37 SERIES LANDSCAPE RAKE ATTACHMENTS</u>			
302-310A	84" Rake Attachment	230#	255#	\$ 1,182
302-311A	96" Rake Attachment	250#	275#	\$ 1,338

* Will not fit on 42 option units with serial number 106399 and below.

**Requires hole to be drilled.

LR05 Series Landscape Rakes

[RETURN TO INDEX](#)

15-25 HP



Made in USA
Hitch: Cat. 1
Teeth: 1/4" x 3/4" High Carbon Spring Steel;
26 Teeth / 4', 34 Teeth / 5'
Rake Angles: 5 Forward Positions up to 30 degrees
Rake Height: 12"
Teeth Spacing: 1 3/4" Centers
Parking Stand
Rear Blade Adaptable

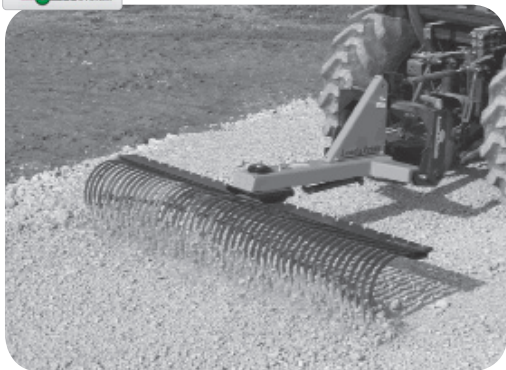
Dirtworking

MODEL NUMBER	DESCRIPTION	APPROX. MACHINE WEIGHT	SHIPPING WEIGHT	LIST PRICE
LR0548	05 SERIES LANDSCAPE RAKE - 48" Width	98#	140#	\$ 755
LR0560	05 SERIES LANDSCAPE RAKE - 60" Width	113#	155#	\$ 839
ADD				
OPTION NO.	COLOR OPTION (No Option=Buckskin)			
-82	Orange			

See pg. 111 for Accessories

LR16 Series Landscape Rakes

20-40 HP



Hitch: Cat. 1
Teeth: 5/16" x 1" High Carbon Spring Steel;
30 Teeth / 5', 36 Teeth / 6', 42 Teeth / 7', 48 Teeth / 8'
Teeth Spacing: 2" Centers
LR Rake Angles: 7 Positions Up to Max. 45 Degrees
right or left in 15 degree increments
Rake Height: 16 1/2"
Individually Replaceable Teeth
Rear Blade Adaptable
Parking Stand
Fits Land Pride Quick-Hitch

List Price is for Each:
LR16s Are Packaged 2 Units Per Crate.

MODEL NUMBER	DESCRIPTION	APPROX. MACHINE WEIGHT	SHIPPING WEIGHT	LIST PRICE
LR1660	16 SERIES LANDSCAPE RAKES - 60" Width	241#	281#	\$ 996
LR1672	16 SERIES LANDSCAPE RAKES - 72" Width	270#	310#	\$ 1,105
LR1684	16 SERIES LANDSCAPE RAKES - 84" Width	291#	331#	\$ 1,236
LR1696	16 SERIES LANDSCAPE RAKES - 96" Width	316#	356#	\$ 1,354
ADD				
OPTION NO.	COLOR OPTION (No Option=Buckskin)			
-82	Orange			

301-526A	Hydraulic Angle Kit - 16 Series (S/N 985650+)	35#	35#	\$ 307
----------	---	-----	-----	--------

See pg.111 for Accessories

LR26 Series Landscape Rakes

RETURN TO INDEX

25-60 HP



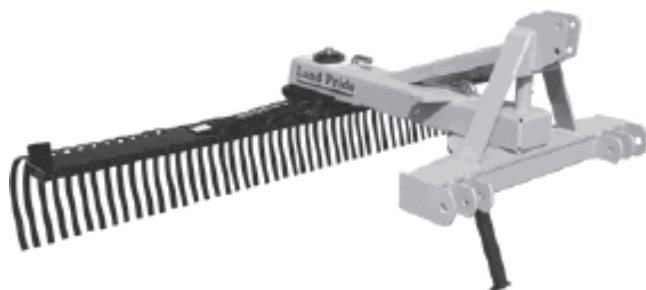
Hitch: Cat. 1
Teeth: 5/16" x 1" High Carbon Spring Steel;
42 Teeth / 7', 48 Teeth / 8'
Rear Blade Adaptable
Rake Angles:
7 Forward Positions Up to 45 Degrees
Rake Height: 16 1/2"
Teeth Spacing: 2" Centers
Individually Replaceable Teeth
Parking Stand
Fits Land Pride Quick-Hitch

MODEL NUMBER	DESCRIPTION	APPROX. MACHINE WEIGHT	SHIPPING WEIGHT	LIST PRICE
LR2684	26 SERIES LANDSCAPE RAKE - 84" Width	352#	391#	\$ 1,667
LR2696	26 SERIES LANDSCAPE RAKE - 96" Width	377#	416#	\$ 1,835
ADD OPTION NO.	COLOR OPTION (No Option=Buckskin)			
-82	Orange			

See pg. 111 for Accessories

LR37 Series Landscape Rakes

30-80 HP



Hitch: Cat. 1 & 2 Combination
Teeth: 5/16" x 1" High Carbon Spring Steel;
42 Teeth / 7', 48 Teeth / 8'
Frame Offset: 45 Degree Swing to 26"
Rear Blade Adaptable
Rake Angles:
5 Forward Positions Up to 30 Degrees
Individually Replaceable Teeth
Rake Height: 16 1/2"
Teeth Spacing: 2" Centers
Mechanical Offset Adjustment
Retractable Parking Stand
Fits Land Pride Quick-Hitch

MODEL NUMBER	DESCRIPTION	APPROX. MACHINE WEIGHT	SHIPPING WEIGHT	LIST PRICE
LR3784	36 SERIES LANDSCAPE RAKES - 84" Width	460#	500#	\$ 2,094
LR3796	36 SERIES LANDSCAPE RAKES - 96" Width	483#	523#	\$ 2,252
ADD OPTION NO.	COLOR OPTION (No Option=Buckskin)			
-82	Orange			

See pg. 111 for Accessories

RETURN TO INDEX

Landscape Rake Accessories

Dirtworking

PART NUMBER	DESCRIPTION	APPROX. MACHINE WEIGHT	SHIP-PING WEIGHT	LIST PRICE
302-258A	05 Series Dual Gauge Wheels	49#	49#	\$ 407
302-174A	15, 16, 25, 26, 35, 36, 37 Series Dual Gauge Wheels - 13" x 6.5" x 6"	86#	86#	\$ 551
302-176A	15, 16, 25, 26, 35, 36, 37 Series Dual Gauge Wheels - 13" x 4.1" x 6"	72#	72#	\$ 475
300-014A	25 & 35 Series Single Gauge Wheel - 8" x 4" x 4.8"	55#	55#	\$ 607
302-152A+	LR 60" Flip Down Grader Blade w/End Plates (15, 16, 25 & 35 Series)	88#	88#	\$ 461
302-105A+	LR 72" Flip Down Grader Blade w/End Plates (15, 16, 25 & 35 Series)	100#	100#	\$ 497
302-106A+	LR 84" Flip Down Grader Blade w/End Plates (15, 16, 25, 26, 35, 36 Series)	110#	110#	\$ 519
302-107A+	LR 96" Flip Down Grader Blade w/End Plates (15, 16, 25, 26, 35, 36 Series)	122#	122#	\$ 542
301-526A	Hydraulic Angle Kit - 16 Series (S/N 985650+)	35#	35#	\$ 307
301-524A	26 Series Rake Hydraulic Angling Kit (S/N 985650+)	32#	32#	\$ 307
302-335A	37 Series Rake Hydraulic Angling Kit	45#	45#	\$ 349
302-183A*	25 Series Rake Angling Option (Includes: Mounting Bracket, 2"x8" Cylinder, Hose & Fittings)	41#	41#	\$ 665
300-081A	3 1/2" x 8" Cylinder, Hose & Fittings (For 35 Series Frame Offset & 25/35 Series Sgl Gauge Whl)	39#	39#	\$ 480

+ Must be used with Dual Gauge Wheels or bracket set (302-260A available through Parts Dept. only)

REAR BLADE ATTACHMENTS

301-115A**	15 Series: 60" Blade Assembly	185#	226#	\$ 416
301-116A**	15 Series: 72" Blade Assembly	195#	236#	\$ 511
301-117A**	15 Series: 84" Blade Assembly	220#	261#	\$ 626
301-369S	16 Series: 60" Blade Assembly	209#	250#	\$ 484
301-370S	16 Series: 72" Blade Assembly	229#	269#	\$ 512
301-373S	16 Series: 84" Blade Assembly	251#	292#	\$ 584
301-015A	25 & 35 Series: 72" Blade Assembly	250#	291#	\$ 699
301-017A	25 Series: 84" Blade Assembly	270#	311#	\$ 764
301-019A	25 Series: 96" Blade Assembly	310#	351#	\$ 877
301-378S	26 Series: 72" Blade Assembly	330#	371#	\$ 600
301-379S	26 Series: 84" Blade Assembly	339#	380#	\$ 626
301-380S	26 Series: 96" Blade Assembly	369#	409#	\$ 709
301-241A	35 Series: 84" Blade Assembly	280#	321#	\$ 869
301-240A	35 Series: 96" Blade Assembly	320#	361#	\$ 1,023
301-399S	37 Series: 72" Blade Assembly	340#	381#	\$ 714
301-400S	37 Series: 84" Blade Assembly	376#	407#	\$ 793
301-401S	37 Series: 96" Blade Assembly	413#	444#	\$ 813

**For Landscape Rakes with Serial Numbers 33160 & Above

SF25 Series Scarifiers

25-50 HP



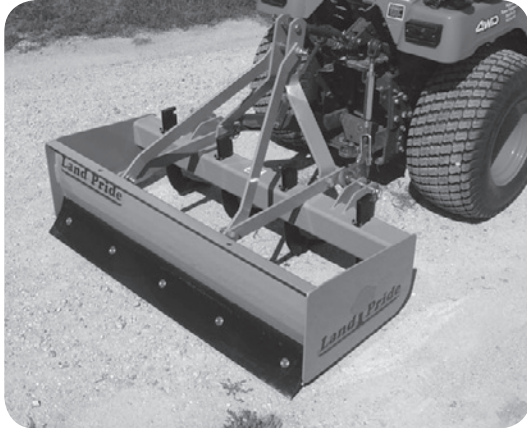
Hitch: Cat. 1
4" x 4" x 5/16" Tubing
Shanks: 3/4" x 2 1/2" Heat Treated Spring Steel Shanks
Heat Treated Dimpled-on Tips
4 Depth Adjustments
Rear Hitch with Floating Top Link for Second Implement

MODEL NUMBER	DESCRIPTION	APPROX. MACHINE WEIGHT	SHIPPING WEIGHT	LIST PRICE
SF2566	25 SERIES SCARIFIERS - 66" Width - 6 Shanks	208#	318#	\$ 1,042
SF2577	25 SERIES SCARIFIERS - 77" Width - 7 Shanks	235#	345#	\$ 1,195
ADD OPTION NO.	COLOR OPTION (No Option=Buckskin)			
-82	Orange			

BB05 Series Box Scrapers

[RETURN TO INDEX](#)

17-25 HP



Hitch: Cat. 0, 1 and 1 Limited
 4" x 4" Tubing Main Frame
 3/16" Side Panels
 Two Welded Braces to Rear of Moldboard
 13⁵/₁₆" High Moldboard
 Heat Treated Spring Steel Shanks
 3 Position Shank
 Heat Treated Dimpled-on Tips
 2 ea. 3/8" x 6" High Carbon, Heat Treated
 Cutting Edges; Reversible & Replaceable
 Reinforced Shank Opening
 Fits Land Pride Quick-Hitch

MODEL NUMBER	DESCRIPTION	APPROX. MACHINE WEIGHT	SHIPPING WEIGHT	LIST PRICE
BB0548	05 SERIES BOX SCRAPER - FIXED BAR - 48" Width - 4 Shanks	281#	331#	\$ 886
BB0554	05 SERIES BOX SCRAPER - FIXED BAR - 54" Width - 4 Shanks	302#	352#	\$ 946

ADDITIONAL SAVINGS
12-PAK STOCKING PROGRAM

**When any combination of 12 BB05 Series Boxscrapers are ordered at one time
 DEDUCT \$30 on each unit**

Add option No. -99 to Model Number & Deduct \$ (30)

ADD OPTION NUMBER **COLOR OPTIONS (No Option=Buckskin)**

-82 Orange

- Packaged in Like Units of 2; Same Size, Same Color

BB12 Series Box Scrapers

[RETURN TO INDEX](#)

17-30 HP



Hitch: Cat. 1 Clevis-Type
 4" x 4" Manufactured Shank Tube
 3/16" x 16" Side Panels
 Depth: 22"
 Two Welded Braces to Rear of Bucket
 Moldboard - 15 3/8" High
 Heat Treated Spring Steel Shanks
 3/4" x 2 1/2" x 15" Shanks, 3 Position
 Reinforced Shank Opening
 Heat Treated Dimpled-on Tips, Replaceable
 2 ea. High Carbon, Heat Treated
 Cutting Edges; Reversible & Replaceable
 Fits Land Pride Quick-Hitch

Dirtworking

---AVAILABLE IN 2 UNIT PRICING ONLY ---

<u>MODEL NUMBER</u>	<u>DESCRIPTION</u>	<u>APPROX. MACHINE WEIGHT</u>	<u>SHIPPING WEIGHT</u>	<u>LIST PRICE</u>
BB1248	12 SERIES BOX SCRAPER - FIXED BAR - 48" Width - 4 Shanks	312#	336#	\$ 696
BB1254	12 SERIES BOX SCRAPER - FIXED BAR - 54" Width - 4 Shanks	333#	357#	\$ 716
BB1260	12 SERIES BOX SCRAPER - FIXED BAR - 60" Width - 4 Shanks	354#	378#	\$ 734
BB1266	12 SERIES BOX SCRAPER - FIXED BAR - 66" Width - 5 Shanks	378#	402#	\$ 848
BB1272	12 SERIES BOX SCRAPER - FIXED BAR - 72" Width - 6 Shanks	402#	426#	\$ 964

ADD OPTION

<u>NUMBER</u>	<u>COLOR OPTIONS (No Option=Buckskin)</u>
-82	Orange

- Packaged in Like Units of 2; Same Size, Same Color
- See RCR12 Program for Terms & Discounts

BB15 Series Box Scrapers

[RETURN TO INDEX](#)

17-40 HP



- Hitch: Cat. 1
- 4" x 4" Tubing Main Frame
- 5/16" Side Panels
- Two Welded Braces to Rear of Bucket
- Roll-Formed Moldboard - 17" High
- Heat Treated Spring Steel Shanks
- 4 Position Shank
- Heat Treated Dimpled-on Tips
- 2 ea. 1/2" x 6" High Carbon, Heat Treated Cutting Edges; Reversible & Replaceable
- Reinforced Shank Opening
- Fits Land Pride Quick-Hitch

<u>MODEL NUMBER</u>	<u>DESCRIPTION</u>	<u>APPROX. MACHINE WEIGHT</u>	<u>SHIPPING WEIGHT</u>	<u>LIST PRICE</u>
BB1560	15 SERIES BOX SCRAPER - FIXED BAR - 60" Width - 4 Shanks	428#	485#	\$ 1,154
BB1566	15 SERIES BOX SCRAPER - FIXED BAR - 66" Width - 5 Shanks	404#	461#	\$ 1,263
BB1572	15 SERIES BOX SCRAPER - FIXED BAR - 72" Width - 6 Shanks	504#	561#	\$ 1,367

ADDITIONAL SAVINGS
12-PAK STOCKING PROGRAM

When any combination of 12 BB15 Series Box Scrapers are ordered at one time
DEDUCT \$30 on each unit

Add option No. -99 to Model Number & Deduct \$ (30)

ADD OPTION NUMBER **COLOR OPTIONS (No Option=Buckskin)**

-82	Orange
-----	--------

- Packaged in Like Units of 2; Same Size, Same Color

RETURN TO INDEX

BB25 Series Box Scrapers

Dirtworking

25-55 HP



- Hitch: Cat. 1
- 4" x 4" Tubing Main Frame
- 3/8" Side Panels
- Two Welded Braces to Rear of Bucket
- Roll-Formed Moldboard - 17" High
- Heat Treated Spring Steel Shanks
- Double Strap Lower Hitches
- 4 Position Shank
- Heat Treated Dimpled-on Tips
- 2 ea. 1/2" x 6" High Carbon, Heat Treated Cutting Edges; Reversible & Replaceable
- Reinforced Shank Opening
- Gusset Between Side Panel and Moldboard
- Fits Land Pride Quick-Hitch

MODEL NUMBER	DESCRIPTION	APPROX. MACHINE WEIGHT	SHIPPING WEIGHT	LIST PRICE
BB2560	25 SERIES BOX SCRAPER - FIXED BAR - 60" Width - 5 Shanks	471#	531#	\$ 1,249
BB2566	25 SERIES BOX SCRAPER - FIXED BAR - 66" Width - 5 Shanks	500#	560#	\$ 1,393
BB2572	25 SERIES BOX SCRAPER - FIXED BAR - 72" Width - 7 Shanks	549#	609#	\$ 1,525
BB2584	25 SERIES BOX SCRAPER - FIXED BAR - 84" Width - 7 Shanks	593#	653#	\$ 1,704
BB2596	25 SERIES BOX SCRAPER - FIXED BAR - 96" Width - 8 Shanks	658#	718#	\$ 1,846

ADDITIONAL SAVINGS
12-PAK STOCKING PROGRAM

When any combination of 12 BB25 Series Box Scrapers are ordered at one time
DEDUCT \$30 on each unit
Add option No. -99 to Model Number & Deduct

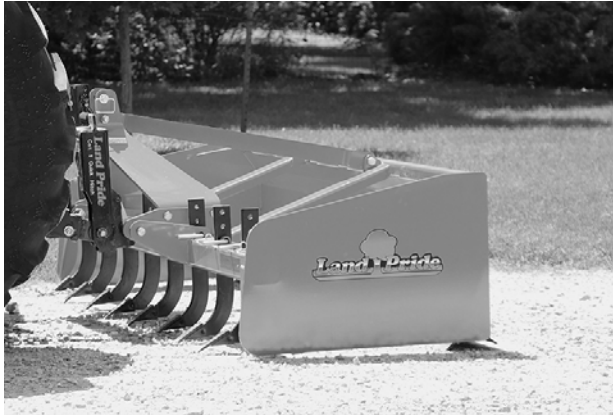
\$ (30)

ADD OPTION NUMBER	COLOR OPTION (No Option=Buckskin)
-82	Orange

BB35 Series Box Scrapers

[RETURN TO INDEX](#)

45-120 HP



Hitch: Cat. 1 & 2
 4" x 4" Tubing Main Frame, 3/8" Wall
 23 x 3/8" Side Panels
 Two Welded Channel Braces to Rear of Bucket
 Formed Moldboard - 23" High
 Heat Treated Spring Steel Shanks
 Double Strap Lower Hitches
 4 Position Shank
 Heat Treated Dimpled-on Tips
 2 ea. 1/2" x 6" High Carbon, Heat Treated Cutting Edges; Reversible & Replaceable
 Reinforced Shank Opening
 Gusset Between Side Panel and Moldboard
 Fits Land Pride Quick-Hitch
 Backfill Blade Standard

MODEL NUMBER	DESCRIPTION	APPROX. MACHINE WEIGHT	SHIPPING WEIGHT	LIST PRICE
BB3578	35 SERIES BOX SCRAPER - FIXED BAR - 78" Width - 7 Shanks	820#	866#	\$ 1,954
BB3584	35 SERIES BOX SCRAPER - FIXED BAR - 84" Width - 7 Shanks	807#	853#	\$ 2,026
BB3596	35 SERIES BOX SCRAPER - FIXED BAR - 96" Width - 8 Shanks	885#	931#	\$ 2,174

ADD OPTION NUMBER	COLOR OPTION (No Option=Buckskin)
-82	Orange

MR15 Series Box Scrapers

[RETURN TO INDEX](#)

25-40 HP 4 Wheel Drive • 20-50 HP 2 Wheel Drive

Dirtworking



Hitch: Cat. 1, Clevis Type
 Roll-Formed Moldboard - 18¹/₂" High
³/₄" x 2¹/₂" Heat Treated Spring Steel Shanks
 3 Position Shank
 Heat Treated Dimpled-on Tips
 Two ¹/₂" x 6" High Carbon, Heat Treated
 Cutting Edges; Reversible & Replaceable
 Rear Back Fill Blade
 End Panels ³/₈"
 4" x 4" Main Beam
 Positive Locking System on Shanks
 Fits Land Pride Quick-Hitch

MODEL NUMBER	DESCRIPTION	APPROX. MACHINE WEIGHT	SHIPPING WEIGHT	LIST PRICE
MR1572	15 SERIES MECHANICAL RETRACTABLE - 72" Width	585#	672#	\$ 1,982
ADD OPTION NO.	COLOR OPTION (No Option=Buckskin)			
-82	Orange			

HR25 Series Box Scrapers

[RETURN TO INDEX](#)

30-60 HP 2 Wheel Drive • 30-60 HP 4 Wheel Drive



Hitch: Cat. 1 Clevis-type
 Roll-Formed Moldboard - 20¹/₂" High, Double Thickness
³/₄" x 2¹/₂" Heat Treated Spring Steel Shanks
 Heat Treated Dimpled-on Tips
 Two ¹/₂" x 6" High Carbon, Heat Treated
 Cutting Edges; Reversible & Replaceable
 Rear Back Fill Blade
³/₈" End Panels
 Self Locking Down Position
 Cylinder: 2³/₈" x 4" with Hose
 Fits Land Pride Quick-Hitch
 Painted Black

MODEL NUMBER	DESCRIPTION	APPROX. MACHINE WEIGHT	SHIPPING WEIGHT	LIST PRICE
HR2572	25 SERIES HYDRAULIC RETRACTABLE - 72" Width	851#	911#	\$ 3,377
ADD OPTION NO.	COLOR OPTION (No Option=Black)			
-82	Orange			

HR35/HRL35 Series Box Scrapers

[RETURN TO INDEX](#)

40-120 HP



Hitch: Cat. 1 & 2
 Hardened Bushings in Upper and Lower Hitch and Shank Beam Pivots
 Roll-Formed Moldboard - 23" High Back, 17" Low Back
³/₄" x 2¹/₂" Heat Treated Spring Steel Shanks
 3 Position Shank
 Heat Treated Dimpled-on Tips
 Two ¹/₂" x 6" High Carbon, Heat Treated Cutting Edges; Reversible & Replaceable
 Rear Back Fill Blade: Fixed or Floating
¹/₂" End Panels
 Transport Lock on Shank Tube

Dirtworking

MODEL NUMBER	DESCRIPTION	APPROX. MACHINE WEIGHT	SHIPPING WEIGHT	LIST PRICE
HR3584	35 SERIES HYDRAULIC RETRACTABLE - 84" Width - High Back	1119#	1237#	\$ 5,143
HRL3578	35 SERIES HYDRAULIC RETRACTABLE - 78" Width - Low Back	981#	1099#	\$ 4,632
ADD OPTION NUMBER	COLOR OPTION (No Option=Buckskin)			
-82	Orange			

GS05 Series Grading Scrapers

RETURN TO INDEX

17-33 HP



Hitch: Cat 1, Quick Hitch Compatible
Working Width: 48", 60"
Overall Width: 51", 63"
Side Panel Height: 11¹/₄"
Side Panel Length: 40"
Side Panel Thickness ³/₁₆", w/ 2³/₄" Formed Edges
Front Beam: 3" x 4", ¹/₄" Wall Tubing
Rear Beam: 2" x 3", ³/₁₆" Wall Tubing
Skid Shoes: ¹/₄" x 1¹/₂", Replaceable
Scarifier Shanks: Heat Treated, 34 each
3 Position, Dimpled on Hardened Tips
Cutting Edges: 2 ea, ³/₈" x 6" High Carbon,
Heat Treated, Reversible & Replaceable
Fits Land Pride Quick Hitch

ONLY AVAILABLE IN ORANGE

MODEL NUMBER	DESCRIPTION	APPROX. MACHINE WEIGHT	SHIPPING WEIGHT	LIST PRICE
GS0548-82	GRADING SCRAPER - 48" Width - 4 Shanks	302#	332#	\$ 1,071
-10	Rear Facing Blade, Set of 2	38#	38#	\$ 115
GS0560-82	GRADING SCRAPER - 60" Width - 4 Shanks	342#	373#	\$ 1,134
-10	Rear Facing Blade, Set of 2	70#	70#	\$ 142

• Packaged in Like Units of 2; Same Size

GS15 Series Grading Scrapers

RETURN TO INDEX

48: 20-50 HP; 60/72: 25-50 HP



Hitch: Cat 1, Quick Hitch Compatible
 Working Width: 48", 60" and 72"
 Overall Width: 52", 66", 78"
 Overall Length: 50"
 Side Panel Height: 14⁵/₈"
 Side Panel Length: 44"
 Side Panel Thickness ³/₁₆", w/ 2³/₄" formed edges
 Front Beam: 4" x 4", ⁵/₁₆" wall tubing
 Rear Beam: 2" x 2", ³/₁₆" wall tubing
 Skid Shoes: 3/8" x 3" x 44", Replaceable
 Scarifier Shanks: Heat Treated
 4 ea on 48" and 60"
 5 ea on 72"
 4 position, dimpled on hardened tips
 Cutting Edges: 2 ea, 1/2" x 6" High Carbon,
 Heat Treated, Reversible & Replaceable
 Fits Land Pride Quick Hitch

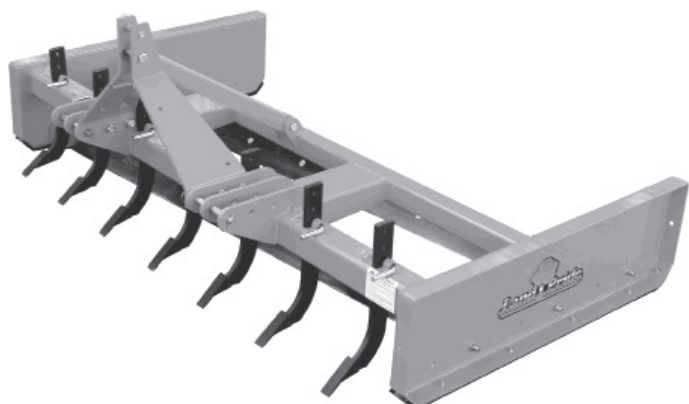
Dirtworking

MODEL NUMBER	DESCRIPTION	APPROX. MACHINE WEIGHT	SHIPPING WEIGHT	LIST PRICE
GS1548-01	GRADING SCRAPER - 48" Width - 4 Shanks	437#	570#	\$ 1,327
	Less shanks - delete -01 from Model No. and Deduct	-44#	-46#	\$ -82
-10	Rear Facing Blade, Set of 2	62#	62#	\$ 162
GS1560-01	GRADING SCRAPER - 60" Width - 4 Shanks	511#	626#	\$ 1,485
	Less shanks - delete -01 from Model No. and Deduct	-44#	-46#	\$ -82
-10	Rear Facing Blade, Set of 2	78#	78#	\$ 212
GS1572-01	GRADING SCRAPER - 72" Width - 5 Shanks	594#	682#	\$ 1,693
	Less shanks - delete -01 from Model No. and Deduct	-55#	-58#	\$ -99
-10	Rear Facing Blade, Set of 2	98#	98#	\$ 254
ADD OPTION NO.	COLOR OPTION (No Option=Buckskin)			
-82	Orange			

GS25 Series Grading Scrapers

RETURN TO INDEX

40 - 90 HP



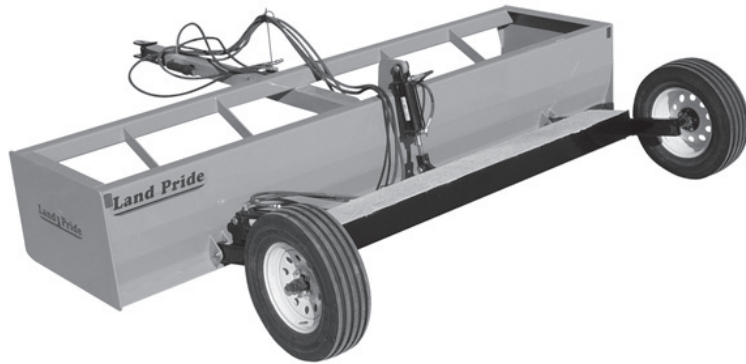
Hitch: Cat 1 & 2, Quick Hitch Compatible
 Working Width: 72", 84" and 96"
 Overall Width: 6'6", 7'6", 8'6"
 Overall Length: 56"
 Side Panel Height: 14⁵/₈"
 Side Panel Length: 50"
 Side Panel Thickness 1/4", w/ 2³/₄" Formed Edges
 Front Beam: 4" x 4", 5/16" Wall Tubing
 Rear Beam: 3" x 3", 3/16" Wall Tubing
 Skid Shoes: 3/8" x 3", Replaceable
 Scarifier Shanks: Heat Treated
 6 ea on 72"
 7 ea on 84"
 8 ea on 96"
 4 Position, Dimpled on Hardened Tips
 Cutting Edges: 2 ea, 1/2" x 6" High Carbon, Heat Treated, Reversible & Replaceable
 Fits Land Pride Quick Hitch

<u>MODEL NUMBER</u>	<u>DESCRIPTION</u>	<u>APPROX. MACHINE WEIGHT</u>	<u>SHIPPING WEIGHT</u>	<u>LIST PRICE</u>
GS2572-01	GRADING SCRAPER - 72" Width - 6 Shanks	728#	839#	\$ 2,276
	Less shanks - delete -01 from Model No. and Deduct	-66#	-66#	\$ -122
-10	Rear Facing Blades, Set of 2	98#	98#	\$ 254
GS2584-01	GRADING SCRAPER - 84" Width - 7 Shanks	821#	919#	\$ 2,448
	Less shanks - delete -01 from Model No. and Deduct	-77#	-81#	\$ -142
-10	Rear Facing Blades, Set of 2	110#	110#	\$ 286
GS2596-01	GRADING SCRAPER - 96" Width - 8 Shanks	889#	974#	\$ 2,621
	Less shanks - delete -01 from Model No. and Deduct	-88#	-92#	\$ -162
-10	Rear Facing Blades, Set of 2	124#	124#	\$ 324
ADD OPTION NO.	COLOR OPTION (No Option=Buckskin)			
-82	Orange			

BB45 Series Drag Scrapers

RETURN TO INDEX

70-130 HP



Hitch: Pull-type
 Clevis: Swivel Ball, Clevis, Swivel Clevis
 Tongue: Removable
 Capacity: 96" - 1 3/4 cu. yd.
 10' - 2 1/4 cu.yd.
 12' - 2 3/4 cu.yd.
 Dump Clearance: 21"
 End Plates: 3/8"
 Moldboard: 1/4"
 Cutting Edge: 1/2" x 6"
 Axle: Fixed or Tilt
 Tilt Cylinder: 3" x 8"
 3 1/2 Degrees, Approx. 8"
 Tires: 15" Implement Recap
 Rim: 5 Bolt, 4.5"
 Weight Tray: Optional - Holds 760 lbs. of Concrete
 Lights Standard on 12'; Optional on 96" & 10'

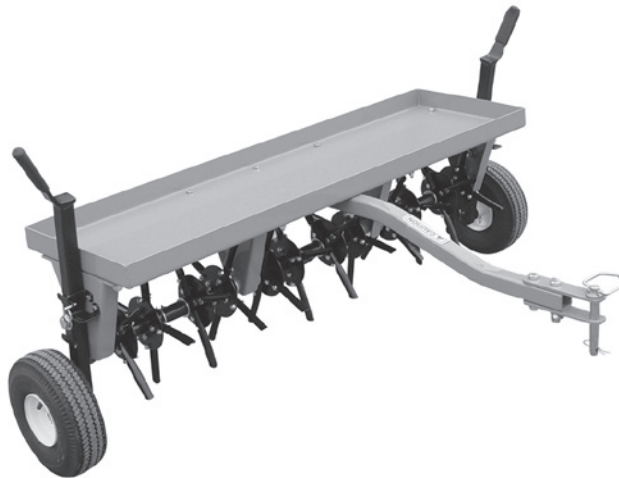
Dirtworking

MODEL NUMBER	DESCRIPTION	APPROX. MACHINE WEIGHT	SHIPPING WEIGHT	LIST PRICE
BB4596	45 SERIES - 96" DRAG SCRAPER	890#	900#	\$ 2,777
BB4510	45 SERIES - 10' DRAG SCRAPER	1,010#	1,020#	\$ 3,170
BB4512	45 SERIES - 12' DRAG SCRAPER	1,130#	1,140#	\$ 3,811
ADD OPTION NO.				
<u>YOU MUST CHOOSE AN AXLE</u>				
-01	Standard Axle	351#	351#	\$ 1,152
-02	Tilt Axle	411#	411#	\$ 1,795
<u>YOU MAY CHOOSE THE WEIGHT TRAY</u>				
-11	Weight Tray	130#	130#	\$ 194
<u>YOU MUST CHOOSE A HITCH SELECTION</u>				
-70	Clevis Hitch	34#	34#	\$ 194
-71	Swivel Ball Hitch	22#	22#	\$ 194
-72	Swivel Clevis Hitch (swivels left & right)	34#	34#	\$ 384
ADD OPTION NO.				
<u>COLOR OPTION (No Option=Buckskin)</u>				
-82	Orange			
<u>YOU MAY CHOOSE A LIGHT KIT - BB4596 and BB4510 ONLY</u>				
-20	Magnetic Light Kit w/Wiring Harness (306-164A)	10#	10#	\$ 363

CA05 Series Core Aerators

[RETURN TO INDEX](#)

Pull-Type



Hitch: Pull-Type
 Overall Width w/Wheels: Working Width:
 40" = 50" 36"
 48" = 58" 44"
 56" = 66" 52"
 Overall Length: 38⁷/₈" (48" w/wheels)
 Frame: 2¹/₂" x 2¹/₂" x 3³/₁₆"
 No. of Spoons: 40": 40, 48": 48, 56": 56
 Spoon Material: 16 Ga. Hardened Steel
 Spoon Spacing (forward travel): 8.5"
 *Spoon Penetration: 3"
 Gang Spacing: 8"
 Independent Gangs, greasable
 2 Transport Wheels

* Depending on ground conditions and added weight

MODEL NUMBER	DESCRIPTION	APPROX. MACHINE WEIGHT	SHIPPING WEIGHT	LIST PRICE
CA0540-01	05 SERIES CORE AERATOR - 40" Width With transport wheels	102#	107#	\$ 686
CA0548-01	05 SERIES CORE AERATOR - 48" Width With transport wheels	116#	121#	\$ 813
CA0556-01	05 SERIES CORE AERATOR - 56" Width With transport wheels	126#	131#	\$ 897

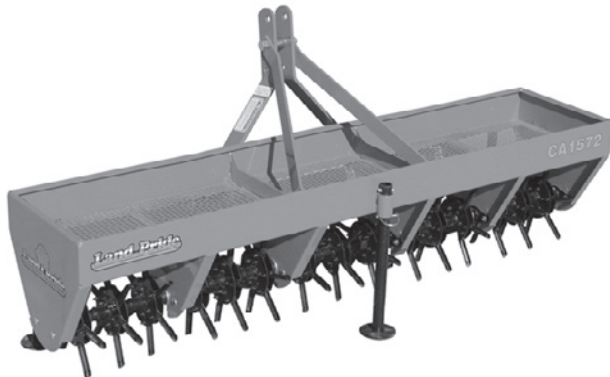
ADD OPTION NO. **COLOR OPTION (No Option=Bucksin)**
 -82 Orange

**This product ships unassembled in:
 2 Cardboard boxes**

CA15 Series Core Aerators

[RETURN TO INDEX](#)

CAT. 0, 1, 1 LTD.



Hitch: Cat. 0, 1, 1 Ltd.
 Overall Width: Working Width:
 48" = 48" 41"
 56" = 56" 50"
 64" = 64" 58"
 72" = 72" 66"
 No. of Spoons: 48": 54, 56": 66", 64": 78, 72": 90
 Spoon Material: 16 Ga. Hardened Steel
 Spoon Spacing (forward travel): 6"
 *Spoon Penetration: 3" - 4 1/2"
 Gang Spacing: 4 1/2"
 Independent Gangs
 Three Corner Support Stands
 Fits Land Pride Quick Hitch

Dirtworking

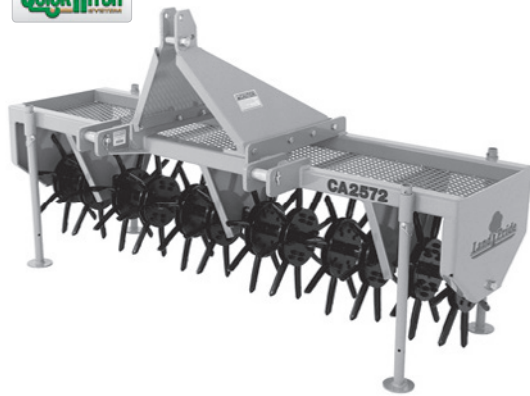
* Depending on ground conditions and added weight

MODEL NUMBER	DESCRIPTION	APPROX. MACHINE WEIGHT	SHIPPING WEIGHT	LIST PRICE
CA1548	15 SERIES CORE AERATOR - 48" Width	156#	223#	\$ 1,478
CA1556	15 SERIES CORE AERATOR - 56" Width	170#	237#	\$ 1,644
CA1564	15 SERIES CORE AERATOR - 64" Width	184#	251#	\$ 1,825
CA1572	15 SERIES CORE AERATOR - 72" Width	208#	275#	\$ 2,030
ADD OPTION NO.	COLOR OPTION (No Option=Buckskin)			
-82	Orange			

CA25 Series Core Aerators

RETURN TO INDEX

CAT. 1



Hitch: Cat. 1
 Working Width: 60", 72"
 Overall Width:
 60" = 67"
 72" = 78"
 Frame Tubing: 2 1/2" x 2 1/2" x 3/16"
 No. of Spoons: 60" & 72": 96
 Spoon Material: 3/4" Hardened Steel
 Spoon Spacing (forward travel): 7"
 *Spoon Penetration: 4 1/2"
 Gang Spacing: 60" = 5 1/2" & 72" = 6 1/2"
 Independent Gangs
 Four Corner Support Stands
 Fits Land Pride Quick Hitch

* Depending on ground conditions and added weight

MODEL NUMBER	DESCRIPTION	APPROX. MACHINE WEIGHT	SHIPPING WEIGHT	LIST PRICE
CA2560	25 SERIES CORE AERATOR - 60" Width	464#	530#	\$ 3,481
CA2572	25 SERIES CORE AERATOR - 72" Width	480#	546#	\$ 3,908
ADD				
OPTION NO.	LIQUID WEIGHT TANK OPTION			
-01	Two Liquid Weight Tanks for CA2560 Adds up to 490 lbs. of weight (325-026A)	25#	30#	\$ 373
-01	Two Liquid Weight Tanks for CA2572 Adds up to 600 lbs. of weight (325-025A)	30#	35#	\$ 373
ADD				
OPTION NO.	COLOR OPTION (No Option=Buckskin)			
-82	Orange			

CR25 Series Straw Crimpers

[RETURN TO INDEX](#)

CAT. 1



Dirtworking



Hitch: Cat. 1
 Working Width: 69"
 Overall Width: 80"
 Height: 41"
 Length: 26"
 Number of Discs: 12
 4 Bolt Cast Iron Hubs
 Disc Spacing: 6 1/2"
 Four Corner Support Stands
 Fits Land Pride Quick Hitch

MODEL NUMBER	DESCRIPTION	APPROX. MACHINE WEIGHT	SHIPPING WEIGHT	LIST PRICE
CR2572	25 SERIES STRAW CRIMPER - 72" Width	475#	542#	\$ 3,028
ADD OPTION NUMBER	LIQUID WEIGHT TANK OPTION			
-01	Two Liquid Weight Tanks for CR2572 Adds up to 600 lbs. of weight (325-025A)	30#	35#	\$ 373
ADD OPTION NO.	COLOR OPTION (No Option=Buckskin)			
-82	Orange			

DH10 Series Disc Harrows

RETURN TO INDEX

CAT. 1



Cat. 1 Hitch
 Cutting Widths: 48" & 60"
 No. of Blades: 48" - 12
 60" - 16
 Blade Size: 48": 16" Diameter
 60": 16" or 18" Diameter
 Blade Types: Notched or Smooth
 Frame Tube: 2" Square
 Blade Spacing: 7 1/2"
 Bearing Hanger: 3/8" Plate, with 5/8" U-bolt
 Bearing Type: Self Aligning, Sealed,
 Ball Bearings
 Gang Tube: 3" x 1 1/2"
 Gang Axle: 1" Square, High Carbon Steel
 Angling: Front Gang: 0, 7, 14 & 21 Degrees
 Rear Gang: 0, 7, 14 & 21 Degrees
 Fits Land Pride Quick-Hitch

MODEL NUMBER	DESCRIPTION	APPROX. MACHINE WEIGHT	SHIPPING WEIGHT	LIST PRICE
DH1048-01	10 SERIES DISC HARROW - 48" Width Front and Rear Notched Discs - 16"	420#	480#	\$ 1,537
DH1048-02	10 SERIES DISC HARROW - 48" Width Front Notched and Rear Smooth Discs - 16"	420#	480#	\$ 1,537
DH1060-01	10 SERIES DISC HARROW - 60" Width Front and Rear Notched Discs - 16"	533#	593#	\$ 1,709
DH1060-02	10 SERIES DISC HARROW - 60" Width Front Notched and Rear Smooth Discs - 16"	533#	593#	\$ 1,709
DH1060-03	10 SERIES DISC HARROW - 60" Width Front and Rear Notched Discs - 18"	549#	609#	\$ 1,816
DH1060-04	10 SERIES DISC HARROW - 60" Width Front Notched and Rear Smooth Discs - 18"	549#	609#	\$ 1,816
ADD OPTION NO.	COLOR OPTION (No Option=Buckskin)			
-82	Orange			
	SEEDING OPTION			
-40	Seeding Package (322-156A) Includes: Spin Spreader, Mounting Hardware to Disc Harrow, Hitch for Pulling a Drag Harrow and/or a Seed Bed Roller		63#	\$ 835

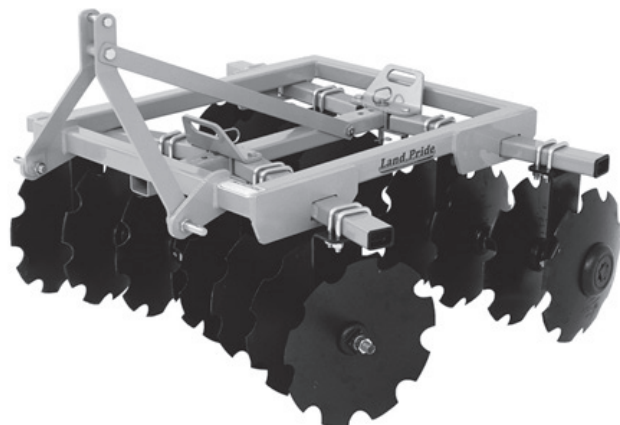
See Seed Bed Roller page 97

See Drag Harrows page 98

DH15 Series Disc Harrows

[RETURN TO INDEX](#)

CAT. 1



Cat. 1 Hitch
 Cutting Widths: 60", 72", 90"
 No. of Blades: DH1560: 16,
 DH1572: 20, DH1590: 24
 Blade Size: 18" Diameter
 Blade Types: Notched or Smooth
 Frame Tube: 2 1/2" square
 Blade Spacing: 7 1/2"
 Bearing Hanger: 3/8" plate,
 2 each 5/8" U-bolts
 Bearing Type: Self Aligning, Sealed,
 Ball Bearings
 Gang Tube: 3" x 2"
 Gang Axle: 1" Square, High Carbon Steel
 Angling: Disc Gang: 0, 7, 14 & 21 Degrees
 With angling adjustment handle
 Fits Land Pride Quick-Hitch

Dirtworking

MODEL NUMBER	DESCRIPTION	APPROX. MACHINE WEIGHT	SHIPPING WEIGHT	LIST PRICE
DH1560-01	15 SERIES DISC HARROW - 5'2" Width Front and Rear Notched Discs	628#	716#	\$ 2,126
DH1560-02	15 SERIES DISC HARROW - 5'2" Width Front Notched and Rear Smooth Discs	634#	722#	\$ 2,146
ADD -11	Disc Scrapers on DH1560 (322-040A)	67#	67#	\$ 457
DH1572-01	15 SERIES DISC HARROW - 6'4" Width Front and Rear Notched Discs	714#	802#	\$ 2,322
DH1572-02	15 SERIES DISC HARROW - 6'4" Width Front Notched and Rear Smooth Discs	719#	807#	\$ 2,342
ADD -11	Disc Scrapers on DH1572 (322-041A)	86#	86#	\$ 551
DH1590-01	15 SERIES DISC HARROW - 90" Width Front and Rear Notched Discs	865#	953#	\$ 2,925
DH1590-02	15 SERIES DISC HARROW - 90" Width Front Notched and Rear Smooth Discs	865#	953#	\$ 2,949
ADD -11	Disc Scrapers on DH1590 (322-278A)	100#	100#	\$ 641
OPTION NO.	CENTER SWEEP OPTION			
-20	9" Center Sweep Kit (322-058A) Fits all 15 Series	22#	22#	\$ 139
	COLOR OPTION (No Option=Buckskin)			
-82	Orange			
	SEEDING OPTION			
-40	Seeding Package (322-156A) Includes: Spin Spreader, Mounting Hardware to Disc Harrow, Hitch for Pulling a Drag Harrow and/or a Seed Bed Roller		63#	\$ 835

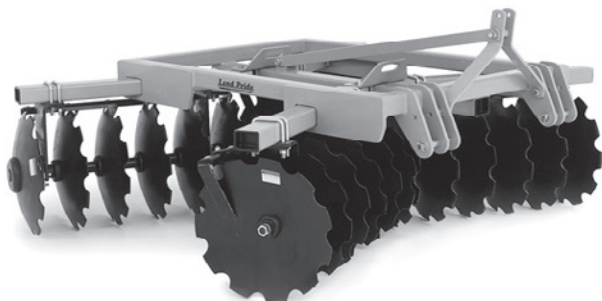
See SBR page 97

See Drag Harrows page 98

DH25 Series Disc Harrows

RETURN TO INDEX

40-100 HP



Hitch: Cat. 1 & 2
 Quick-Hitch Compatible
 Cutting Width: 72", 96"
 No. of Blades: 20, 24
 Blade Size: 20" or 22" Diameter
 Blade Types: Front & Rear Notched,
 Smooth Rear
 Frame Tube: 3" Square
 Blade Spacing: 7 1/2"
 Bearing Hanger: 1/2" Plate,
 2 each 5/8" U-bolts
 Bearing Type: Self Aligning, Sealed,
 Ball Bearings
 Gang Tube: 4" x 3"
 Gang Axle: 1 1/8" Square, High Carbon Steel
 Angling: Front gang: 0, 7, 14 & 21 Degrees
 Rear Gang: 7, 14 & 21 Degrees
 With Angling Adjustment Handle
 Optional Disc Scrapers
 Optional 9" Center Sweep
 Fits Land Pride Quick-Hitch

MODEL NUMBER	DESCRIPTION	APPROX. MACHINE WEIGHT	SHIPPING WEIGHT	LIST PRICE
DH2572-70	25 SERIES DISC HARROW - 72" Width Front and Rear 20" Notched Discs	947#	1365#	\$ 3,744
DH2572-72	25 SERIES DISC HARROW - 72" Width Front and Rear 22" Notched Discs	1037#	1440#	\$ 4,025
DH2596-70	25 SERIES DISC HARROW - 96" Width Front and Rear 20" Notched Discs	1143#	1561#	\$ 4,308
DH2596-72	25 SERIES DISC HARROW - 96" Width Front and Rear 22" Notched Discs	1254#	1657#	\$ 4,588
DH2596-73	25 SERIES DISC HARROW - 96" Width 22" Front Notched, Rear Smooth Discs	1257#	1660#	\$ 4,636
<u>OPTION NO. DISC SCRAPER OPTION</u>				
-11	Disc Scrapers for DH2572 (322-083A)		92#	\$ 606
-11	Disc Scrapers for DH2596 (322-035A)		106#	\$ 701
<u>CENTER SWEEP OPTION</u>				
-20	9" Center Sweep Kit (322-059A) Fits 72" and 96"	19#	19#	\$ 139
<u>COLOR OPTION (No Option=Buckskin)</u>				
-82	Orange			
<u>SEEDING OPTION</u>				
-40	Seeding Package (322-156A) Includes: Spin Spreader, Mounting Hardware to Disc Harrow, Hitch for Pulling a Drag Harrow and/or a Seed Bed Roller		63#	\$ 835

See Seed Bed Roller page 97

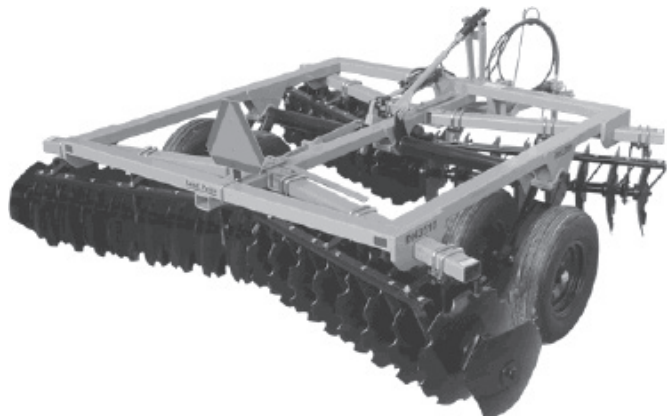
See Drag Harrows page 98

RETURN TO INDEX

DH35 Series - Pull-Type Disc Harrows

45-100 HP

Dirtworking



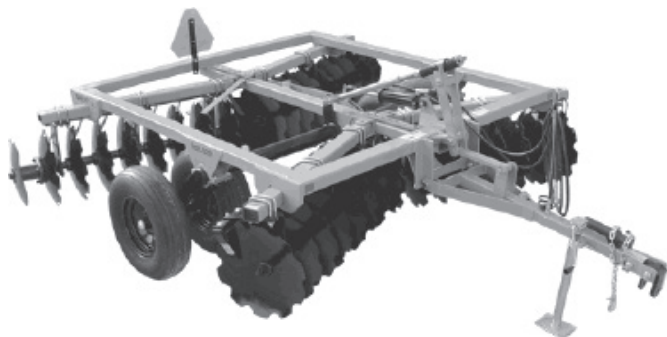
Hitch: Pull-type w/clevis
 Cutting Width: 10'6"
 Transport Width: 10'10" base unit
 Transport Tires: Two 9.5L x 15 tires
 Blade Size: 20" or 22"
 Blade Types: Notched or Smooth
 Disc Spacing: 7½" or 9"
 Front Gang Angle: 15, 18 or 21 degrees
 Rear Gang Angle: 12, 15 or 18 degrees
 Front to Rear Leveling: Manual crank
 Depth Control: 3" x 8" Hydraulic cylinder w/150" hose & fittings
 Hitch Frame Construction: 3" x 3" x ¼" wall tubing
 Gang Beam Construction: 3" x 5" x ¼" wall tubing
 Disc Bearings: Greasable & Triple Sealed Ball Bearings

MODEL NUMBER	DESCRIPTION	APPROX. MACHINE WEIGHT	SHIPPING WEIGHT	LIST PRICE
DH3510	35 SERIES DISC HARROW - 10' Width	1197#	1297#	\$ 6,975
	<u>FRONT GANG OPTION</u>			
-01	20" Notched Discs - 7½" spacing	647#	847#	\$ 1,552
-02	20" Notched Discs - 9" spacing	618#	818#	\$ 1,494
-05	22" Notched Discs - 7½" spacing	721#	921#	\$ 1,970
-06	22" Notched Discs - 9" spacing	683#	883#	\$ 1,866
	<u>REAR GANG OPTION</u>			
-09	20" Notched Discs - 7½" spacing	647#	847#	\$ 1,552
-10	20" Notched Discs - 9" spacing	618#	818#	\$ 1,494
-11	20" Smooth Discs - 7½" spacing	663#	863#	\$ 1,552
-12	20" Smooth Discs - 9" spacing	632#	832#	\$ 1,494
-13	22" Notched Discs - 7½" spacing	721#	921#	\$ 1,970
-14	22" Notched Discs - 9" spacing	683#	883#	\$ 1,866
-15	22" Smooth Discs - 7½" spacing	721#	921#	\$ 1,970
-16	22" Smooth Discs - 9" spacing	701#	901#	\$ 1,866
	<u>ADDITIONAL OPTIONS</u>			
-20	Dual Gauge Wheel Transport (322-235A)	105#	145#	\$ 784
-30	18" Furrow Filler, Pair (322-248A)	64#	75#	\$ 410
-31	20" Furrow Filler, Light Kit (322-249A)	71#	82#	\$ 653
-40	Disc Scrapers - 7½" spacing, front and rear (includes 2 Furrow Filler Scrapers) (322-173A)	154#	174#	\$ 784
-41	Disc Scrapers - 9" spacing and 7½" spacing (includes 2 Furrow Filler Scrapers) (322-174A)	148#	168#	\$ 748
-42	Disc Scrapers - 9" spacing, front and rear (includes 2 Furrow Filler Scrapers) (322-283A)	148#	168#	\$ 710
-50	Tongue Jack (890-118C)	10#	10#	\$ 82
-60	Center Sweep (322-059A)	19#	19#	\$ 139
-70	SMV Kit (322-226S)	4#	4#	\$ 47
ADD				
<u>OPTION NO.</u>	<u>COLOR OPTION (No Option=Buckskin)</u>			
-82	Orange			

DH35 Series - Pull-Type Disc Harrows

RETURN TO INDEX

55-100 HP



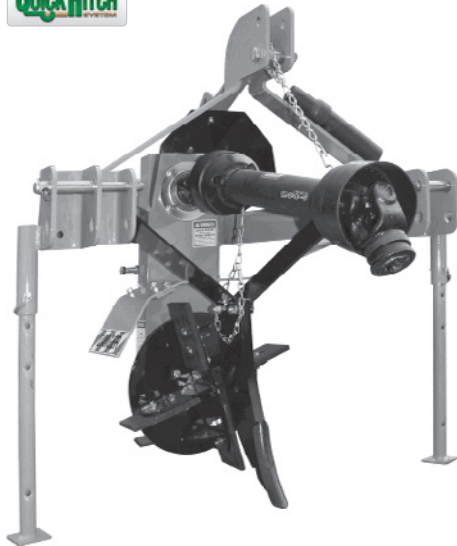
Hitch: Pull-type w/Clevis
 Cutting Width: 12'
 Transport Width: 12' 4" Base Unit
 Transport Tires: Two 9.5L x 15 Tires
 Blade Size: 20" or 22"
 Blade Types: Notched or Smooth
 Disc Spacing: 7½" or 9"
 Front Gang Angle: 15, 18 or 21 Degrees
 Rear Gang Angle: 12, 15 or 18 Degrees
 Front to Rear Leveling: Manual Crank
 Depth Control: 3" x 8" Hydraulic Cylinder w/150" Hose & Fittings
 Hitch Frame Construction: 3" x 3" x ¼" Wall Tubing
 Gang Beam Construction: 3" x 5" x ¼" Wall Tubing
 Disc Bearings: Greasable & Triple Sealed Ball Bearings

MODEL NUMBER	DESCRIPTION	APPROX. MACHINE WEIGHT	SHIPPING WEIGHT	LIST PRICE
DH3512	35 SERIES DISC HARROW – 12' Width	1197#	1297#	\$ 8,406
	FRONT GANG OPTION			
- 01	20" Notched Discs – 7½" spacing	775#	975#	\$ 1,702
- 02	20" Notched Discs – 9" spacing	695#	895#	\$ 1,644
- 05	22" Notched Discs – 7½" spacing	849#	1049#	\$ 2,121
- 06	22" Notched Discs – 9" spacing	760#	960#	\$ 2,016
	REAR GANG OPTION			
-09	20" Notched Discs – 7½" spacing	775#	975#	\$ 1,702
-10	20" Notched Discs – 9" spacing	695#	895#	\$ 1,644
-11	20" Smooth Discs – 7½" spacing	784#	984#	\$ 1,702
-12	20" Smooth Discs – 9" spacing	702#	902#	\$ 1,644
-13	22" Notched Discs – 7½" spacing	849#	1049#	\$ 2,121
-14	22" Notched Discs – 9" spacing	760#	960#	\$ 2,016
-15	22" Smooth Discs – 7½" spacing	869#	1069#	\$ 2,121
-16	22" Smooth Discs – 9" spacing	778#	978#	\$ 2,016
	ADDITIONAL OPTIONS			
-20	Dual Gauge Wheel Transport (322-235A)	105#	145#	\$ 784
-30	18" Furrow Filler, Pair (322-248A)	64#	75#	\$ 410
-31	20" Furrow Filler, Pair (322-249A)	71#	82#	\$ 449
-40	Disc Scrapers – 7½" spacing, front and rear (322-175A) (includes 2 Furrow Filler Scrapers)	154#	174#	\$ 784
-41	Disc Scrapers – 9" spacing and 7½" spacing (322-176A) (includes 2 Furrow Filler Scrapers)	148#	168#	\$ 748
-42	Disc Scrapers - 9" spacing, front and rear (322-284A) (includes 2 Furrow Filler Scrapers)	148#	168#	\$ 710
-50	Tongue Jack (890-118C)	10#	10#	\$ 82
-60	Center Sweep (322-059A)	19#	19#	\$ 139
-70	SMV Kit (322-226S)	4#	4#	\$ 47
ADD				
OPTION NO.	COLOR OPTION (No Option=Buckskin)			
-82	Orange			

DT35 Series Ditchers

[RETURN TO INDEX](#)

30-60 HP



Cat. 1 & 2, QH Adaptable
 Impeller: 16" & 18", 4 Blades with Replaceable Hardened Cutting Edges
 80 Chain with Positive Tensioner Bolt
 Input/Output Shafts: 2", with Ball Type Bearings
 Driveline: Cat. 4 with Shearbolt
 Material Control Chute: Manual
 Standard Ripper Shank
 Parking Stands: 2
 Depth Controlling Skid Shoe: Replaceable, 3/8" Thick

Dirtworking

MODEL NUMBER	BASE UNIT	APPROX. MACHINE WEIGHT	SHIPPING WEIGHT	LIST PRICE
DT35	35 SERIES POWERED DITCHER - 540 RPM 1 3/8" 6 Spline	396#	425#	\$ 5,034
	<u>COLOR (No Option=Buckskin)</u>			
-82	Orange			

DT55 Series Ditchers

RETURN TO INDEX

60-150 HP



Cat. 2 & 3, QH Adaptable
 Impeller: 20", 6 Blades with Replaceable
 Hardened Cutting Edges
 Double 80 Chain with Positive Tensioner Bolt
 Input/Output Shafts: 2-1/4", with Ball Type Bearings
 Driveline: Cat. 5 with Shear Bolt

OPTIONAL EQUIPMENT

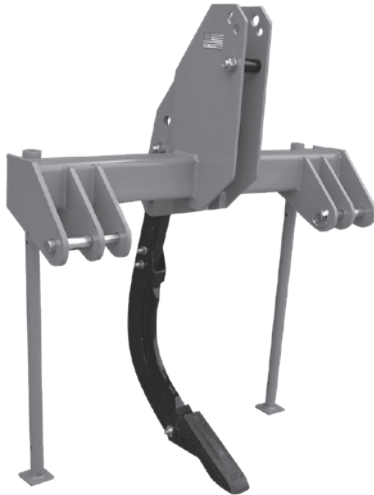
Material Control Chute: Manual or Hydraulic
 Depth Control Wheel: 16.5 x 6.50-8 Pneumatic Tire
 with 10" Adjustment
 Deep Ripper Shank: 3 Adjustments to 5" Below
 Cutting Level, Spring Tine Tip
 Depth Controlling Skid Shoe: Replaceable, 3/8" Thick

MODEL NUMBER	BASE UNIT	APPROX. MACHINE WEIGHT	SHIPPING WEIGHT	LIST PRICE
DT55	55 SERIES POWERED DITCHER - 540 RPM 1 3/8" 6 Spline	900#	950#	\$ 5,518
DTM55	55 SERIES POWERED DITCHER - 1000 RPM (You must choose a driveline below)	850#	900#	\$ 4,770
	<u>Driveline Option for DTM only</u>			
-31	Cat. 5 Shear Bolt - 1 3/8" - 21 Spline	50#	50#	\$ 748
-32	Cat. 5 Shear Bolt - 1 3/4" - 21 Spline	50#	50#	\$ 748
ADD OPTION NUMBER	OPTIONAL EQUIPMENT			
-12	Depth Controlling Gauge Wheel (324-050A)	40#	40#	\$ 285
-21	Ripper Shank with Toolbar (324-046A)	157#	157#	\$ 598
-41	Material Chute - Ratchet Adjustment (324-070A)	114#	114#	\$ 384
-42	Material Chute - Hydraulic Adjustment (324-071A)	115#	115#	\$ 511
-51	Skid Shoe (324-056A)	31#	31#	\$ 123
	<u>COLOR (No Option=Buckskin)</u>			
-82	Orange			

RS15 Ripper Shank

[RETURN TO INDEX](#)

35-80 HP



Cat. 1 & 2
Quick Hitch Compatible
Single Ripper Shank with Shear Bolt Protection
Replaceable Tip
Parking Stands
Orange ONLY

2 PAKS LIKE UNITS ONLY

Dirtworking

MODEL NUMBER	BASE UNIT	APPROX. MACHINE WEIGHT	SHIPPING WEIGHT	LIST PRICE
RS15-82	15 SERIES RIPPER SHANK	194#	224#	\$ 855

RS20 Ripper Shank

70-110 HP



Cat. 1 & 2
Quick Hitch Compatible
Dual Ripper Shank with Shear Bolt Protection
Replaceable Tip
Adjustable Row Spacing
Heavy Duty Mounts with 3/4" U-Bolts
Parking Stand
Orange ONLY

2 PAKS LIKE UNITS ONLY

MODEL NUMBER	BASE UNIT	APPROX. MACHINE WEIGHT	SHIPPING WEIGHT	LIST PRICE
RS20-82	20 SERIES RIPPER SHANK	256#	285#	\$ 1,497

FC10 Field Cultivator

[RETURN TO INDEX](#)

Up to 45 HP



Cat. 1
Quick Hitch Compatible
6 Heat-Treated Spring Steel C Tines
Replaceable, Reversible, Heat-treated Tips
Adjustable Row Widths: 48" up to 57"
Heavy-duty Formed Frame
Orange ONLY

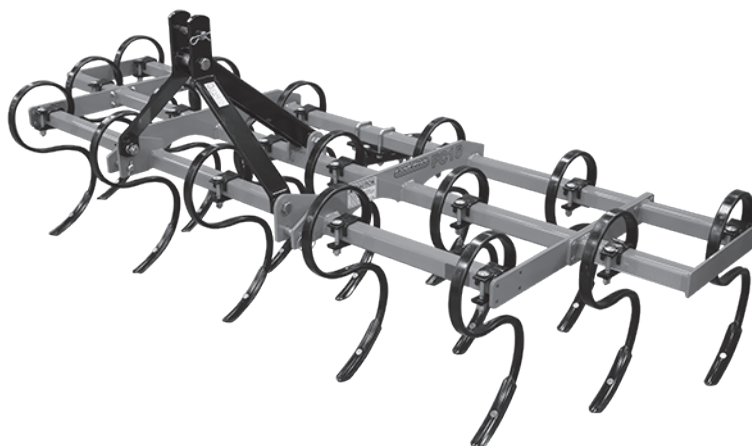
*Arrives Factory Assembled

2 PAKS LIKE UNITS ONLY

MODEL NUMBER	BASE UNIT	APPROX. MACHINE WEIGHT	SHIPPING WEIGHT	LIST PRICE
FC10-82	10 SERIES FIELD CULTIVATOR	135#	149#	\$ 555

FC15 Field Cultivator

Up to 50 HP



Cat. 1 3-Point Hitch
Quick Hitch Compatible
50 HP Max.
72" Working Width
Cat 1 3-Point Hitch
4" Working Depth
2x2 Square Tubing Frame
Optional Extensions Create 96" Working Width (LP Exclusive)
Available Hitch to Pull DRG06 & DRG08
Orange ONLY

*Arrives Factory Assembled

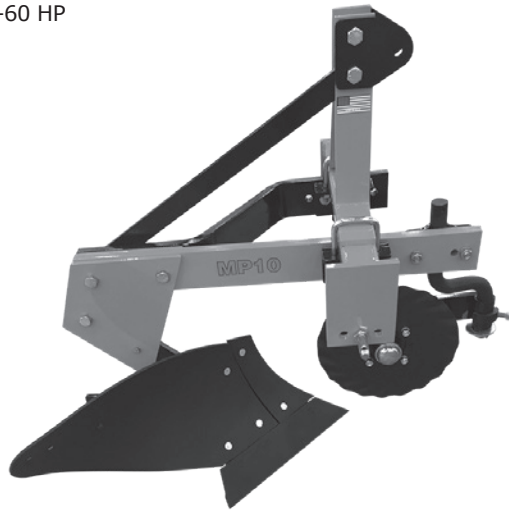
2 PAKS LIKE UNITS ONLY

MODEL NUMBER	BASE UNIT	APPROX. MACHINE WEIGHT	SHIPPING WEIGHT	LIST PRICE
FC15-82	15 SERIES FIELD CULTIVATOR	289#	311#	\$ 1,032
OPTIONS				
-01	Extensions (Pair)	60#	60#	\$ 308

MP10 & MP20 Moldboard Plows

[RETURN TO INDEX](#)

20-60 HP



Cat. 1
 Single Moldboard Plow
 Moldboard blade: 14 in.
 Steel bar frame: 1 in. x 4 in.
 MP10: Single 14" Share
 MP20: Double 14" Share
 Replaceable Share(s), Shin(s), and Heel
 Optional Coulter Assembly
 Orange ONLY
 Does not Fit BX Tractors

2 PAKS LIKE UNITS ONLY

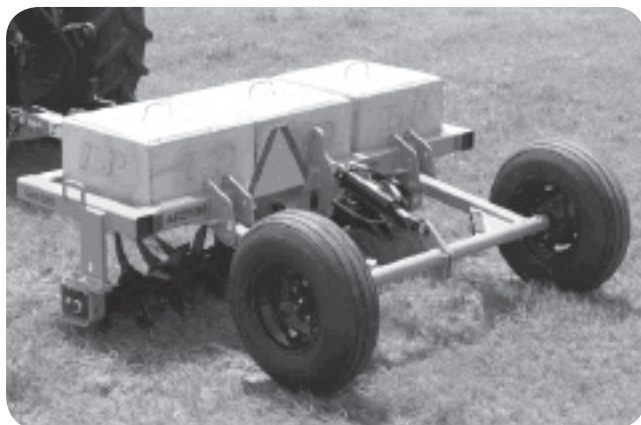
Dirtworking

MODEL NUMBER	BASE UNIT	APPROX. MACHINE WEIGHT	SHIPPING WEIGHT	LIST PRICE
MP10-82	10 SERIES MOLDBOARD PLOW	294#	319#	\$ 946
	OPTIONS			
-01	Coulter Assembly	46#	46#	\$ 219
	BASE UNIT			
MP20-82	20 SERIES MOLDBOARD PLOW	513#	542#	\$ 1,526
	OPTIONS			
-01	Coulter Assembly	89#	89#	\$ 439

AR25 Series - 8' & 10' Pull-Type

RETURN TO INDEX

40-250 HP



Working Width: 7'2" and 9'8"
 Overall Length: 10'11"
 Hitch: Pull-Type
 Clevis: Double Tang
 Tongue Jack with Storage
 Tines: Forged Steel
 Tine Length: 10"
 Tine Penetration: Up to 8"*
 Tine Spacing: 7 1/2"
 No. of Tines: 8' - 48, 10' - 64
 Rotor Angle: 2 1/2, 5, 7 1/2 Degrees, 2 Bolt Adjustment
 Bearings: Triple Lip Seal
 Bearing Hanger: Heavy Duty
 Tire Size: 9.5Lx15-8 Ply
 Wheel Hub: 6 Bolt
 Weights: Optional Concrete Weights

**Tine penetration is dependent on ground conditions*

MODEL NUMBER	DESCRIPTION	APPROX. MACHINE WEIGHT	SHIPPING WEIGHT	LIST PRICE
AR2596	25 SERIES - 8' PULL-TYPE PASTURE AERATOR	1,750#	1,750#	\$ 11,167
AR2510	25 SERIES - 10' PULL-TYPE PASTURE AERATOR	2,100#	2,100#	\$ 13,629
ADD				
OPTION NO.	YOU MAY CHOOSE ONE WEIGHT PACKAGE			
-02	Two Concrete Weights 740 lbs. each	1,480#	1,480#	\$ 338
-03	Three Concrete Weights	2,100#	2,100#	\$ 507
-04	Four Concrete Weights (10' Model only)	2,960#	2,960#	\$ 676
YOU MAY CHOOSE THE DRAG HARROW CARRIER				
-12	Drag Harrow Carrier	160#	160#	\$ 1,307
Color (No Option=Buckskin)				
-82	Orange			
8' DRAG HARROW				
DRG08	DRAG HARROW - 8'W X 4'L	185#	205#	\$ 665
Available through the Parts Department				
325-118A	Trailing Hitch			\$ 123

PD10/PD15/PD25/PD35 Series Post Hole Diggers

[RETURN TO INDEX](#)

Dirtworking

PD10: 15-30 HP (3 YR WARR.)
PD15: 20-40 HP
PD25: 25-55 HP
PD35: 30-75 HP



540 RPM
Tubular Yoke and Boom
Gearbox Input and Output Shields
2" Output Shaft
Teeth: Forged, Individually Replaceable
 40 Degree Angle Installed on Flat Side
 50 Degree Angle Installed on Angled Side
 6" - 2 teeth; 9" - 4 teeth,
 12" - 4, 15" - 5, 18" - 6, 24" - 8
Auger Length: 48" (30" on PD10)
Auger Thickness: 1/4"
2 1/2" OD Pipe Pilot: Cast Steel, 3 Drill Points

MODEL NUMBER	BASE UNIT
PD10	10 SERIES - COMPACT UTILITY DIGGER Cat. 1 Hitch, 2 7/8" Yoke & Boom 30 HP Gearbox Cat. 2 Shearbolt Driveline
PD15	15 SERIES - UTILITY DIGGER Cat. 1 Hitch, 2 7/8" Yoke & Boom 40 HP Gearbox Cat. 2 Shearbolt Driveline
PD25-31	25 SERIES - MEDIUM DUTY DIGGER Cat. 1 or 2 Hitch 2 7/8" Yoke, 3 1/2" Reinforced Boom 55 HP Gearbox Cat. 3 Shearbolt PTO
PD35-31	35 SERIES - HEAVY DUTY DIGGER Cat. 1 or 2 Hitch 2 7/8" Yoke, 3 1/2" Reinforced Boom 75 HP Gearbox Cat. 3 Shearbolt PTO

APPROX. MACHINE WEIGHT	SHIP-PING WEIGHT	LIST PRICE
120#	189#	\$ 1,012

PD10 & PD15 are sold 2 per Crate.

161#	230#	\$ 1,103
------	------	----------

PD10 & PD15 are sold 2 per Crate.

186#	255#	\$ 1,350
------	------	----------

233#	302#	\$ 1,684
------	------	----------

DRIVELINE OPTION - 25 & 35 Series Only

Cat. 3 Radial Pin Driveline - Delete -31 & ADD -32 to Model Number
(Recommended on Auger Size of 15" and above)

31#	31#	\$ 147
-----	-----	--------

ADD

OPTION NO. COLOR OPTION (No Option=Buckskin)

-82 Orange

ADD OPTION NUMBER

-06	6" Semi-Double Flight Auger-30"	PD10 Only	(317-106A)	35#	35#	\$ 307
-09	9" Semi-Double Flight Auger-30"	PD10 Only	(317-109A)	42#	42#	\$ 390
-12	12" Semi-Double Flight Auger-30"	PD10 Only	(317-112A)	46#	46#	\$ 407
-06	6" Semi-Double Flight Auger	PD15, 25 & 35	(317-030A)	39#	39#	\$ 307
-09	9" Semi-Double Flight Auger	PD15, 25 & 35	(317-033A)	52#	52#	\$ 390
-12	12" Semi-Double Flight Auger	PD15, 25 & 35	(317-036A)	60#	60#	\$ 407
-15	15" Double Flight Auger	PD25 & 35 only	(317-070A)	57#	57#	\$ 476
-18	18" Double Flight Auger	PD25 & 35 only	(317-038A)	84#	84#	\$ 571
-24	24" Tree Auger	PD25 & 35 only	(317-039A)	109#	109#	\$ 769
-60	6" Rock Auger	PD15, 25 & 35	(317-258A)	40#	40#	\$ 961
-61	9" Rock Auger	PD15, 25 & 35	(317-259A)	54#	54#	\$ 1,198
-62	12" Rock Auger	PD15, 25 & 35	(317-260A)	106#	106#	\$ 1,478
-63	15" Rock Auger	PD15, 25 & 35	(317-261A)	61#	61#	\$ 1,759
-64	18" Rock Auger	PD15, 25 & 35	(317-262A)	73#	73#	\$ 2,047

See Accessories on pg. 142

HD25/HD35 Series Post Hole Diggers

Hydraulic Drive

RETURN TO INDEX

HD25: 5-12 GPM • HD35: 10-25 GPM

Cat. I or II Hitch, or Front Loader Bucket Mount
Tubular Yoke and Boom on 3-Point
Gearbox Input and Output Shields
2" Output shaft on Gearbox
Hydraulically Reversible
Auger Teeth: Forged, Individually Replaceable
40 Degree Angle Installed on Flat Side
50 Degree Angle Installed on Angled Side

6" - 2 Teeth; 9" - 4 Teeth,
12" - 4, 15" - 5, 18" - 6, 24" - 8
Auger Pipe: 2 1/2" OD
Auger Flighting Thickness: 1/4"
Auger Length: 48"
Pilot: Cast Steel, 3 Drill Points

MODEL NUMBER	BASE UNIT	APPROX. MACHINE WEIGHT	SHIPPING WEIGHT	LIST PRICE
HD25	25 SERIES HYDRAULIC DIGGER For 5-12 GPM Systems @ 1500-3000 PSI 700 ft. lbs. Max torque at 2500 PSI	102#	172#	\$ 1,334
HD35	35 SERIES HYDRAULIC DIGGER For 10-25 GPM Systems @ 1500-3000 PSI 1605 ft. lbs. Max torque at 2500 PSI	102#	172#	\$ 1,391
ADD				
OPTION NO.	COLOR OPTION (No Option=Buckskin)			
-82	Orange* (Available only with -03 Option)			
ADD				
OPTION NO.	MOUNTING OPTION			
-01	Bucket Mount without Hydraulic Hoses (black only)	23#	23#	\$ 132
-02	Bucket Mount with 24' Hydraulic Hoses (black only)	42#	42#	\$ 309
-03	3-Point Mounting and Hoses	94#	94#	\$ 575
-04	Skid/Loader Plate with 24' Hydraulic Hoses w/o Couplers	113#	113#	\$ 720
-05v	Skid/Loader Plate with 8' Hydraulic Hoses and Flat Face Couplers	128#	128#	\$ 740
-07	Skid/Loader Plate with No Hoses	112#	112#	\$ 525
AUGER OPTIONS				
-06	6" Semi-Double Flight Auger (317-030A)	39#	39#	\$ 307
-09	9" Semi-Double Flight Auger (317-033A)	52#	52#	\$ 390
-12	12" Semi-Double Flight Auger (317-036A)	60#	60#	\$ 407
-15	15" Double Flight Auger (317-070A)	57#	57#	\$ 476
-18	18" Double Flight Auger (317-038A)	84#	84#	\$ 571
-24	24" Tree Auger (317-039A)	109#	109#	\$ 769
-60	6" Rock Auger (317-258A)	40#	40#	\$ 961
-61	9" Rock Auger (317-259A)	54#	54#	\$ 1,198
-62	12" Rock Auger (317-260A)	106#	106#	\$ 1,478
-63	15" Rock Auger (317-261A)	61#	61#	\$ 1,759
-64	18" Rock Auger (317-262A)	73#	73#	\$ 2,047

See Accessories on pg. 142

*May not work in some cab applications

SA20 Series Hydraulic Driven Post Hole Digger

RETURN TO INDEX

Dirtworking

6-30 gpm

Universal Quick-Attach or Bucket Mount
Hydraulically Driven Planetary Gearbox
Hydraulically Reversible
3 Motor Options: High, Med., & Low Flow
Output Shaft: 2" Hex
Auger Teeth: Forged, Individually Replaceable
 40 Degree Angle Installed on Flat Side
 50 Degree Angle Installed on Angled Side
 9" - 4 teeth, 12" - 4, 15" - 5, 18" - 6,
 24" - 8, 30" - 10, 36" - 12
Tree Augers: 24" - 9, 30" - 11, 36" - 13

Auger Pipe: 2 1/2" ID
Auger Flighting Thickness: 1/4"
Auger Length: 48", 46" length on 9"
Optional Flat Face Couplers
Optional 8' or 24' Hose
Torque: Up to 2620 ft/lb @ 3000 PSI*

MODEL NUMBER	DESCRIPTION	APPROX. MACHINE WEIGHT	SHIPPING WEIGHT	LIST PRICE
SA20-01	20 SERIES HYDRAULIC POST HOLE DIGGER Bucket Mount w/o Hoses	22#	62#	\$ 474
SA20-02	20 SERIES HYDRAULIC POST HOLE DIGGER Bucket Mount w/Hoses	25#	65#	\$ 613
SA20-04	20 SERIES HYDRAULIC POST HOLE DIGGER Universal Quick Attach w/24' Hoses	162#	202#	\$ 913
SA20-05	20 SERIES HYDRAULIC POST HOLE DIGGER Universal Quick Attach w/8' Hoses	162#	202#	\$ 856
ADD OPTION NUMBER				
YOU MUST CHOOSE A MOTOR				
-41	Low Flow Hyd Motor 6-15 GPM 317-216A	71#	71#	\$ 1,408
-42	Med Flow Hyd Motor 10-20 GPM 317-209A	71#	71#	\$ 1,393
-43	High Flow Hyd Motor 15-30 GPM 317-217A	71#	71#	\$ 1,393
YOU MAY CHOOSE COUPLERS				
-50	Flat Face Couplers - Small (includes adaptors) 301-505A	3#	3#	\$ 131
-51	Large Face Couplers (includes adaptors) 317-225A	1#	1#	\$ 218
-52	Pioneer Couplers (includes adaptors) 317-226A	1#	1#	\$ 20
ADD OPTION NUMBER				
FOR 2" HEX OUTPUT SHAFTS				
-06	6" Double Flight Auger (317-273A)	60#	60#	\$ 456
-09	9" Double Flight Auger (317-095A)	70#	70#	\$ 477
-12	12" Double Flight Auger (317-098A)	98#	98#	\$ 542
-15	15" Double Flight Auger (317-101A)	119#	119#	\$ 694
-18	18" Double Flight Auger (317-104A)	131#	131#	\$ 764
-24	24" Double Flight Auger (317-107A)	214#	214#	\$ 894
-26	24" Tree Auger (317-110A)	162#	162#	\$ 815
-30	30" Double Flight Auger (317-113A)	254#	254#	\$ 1,312
-32	30" Tree Auger (317-116A)	236#	236#	\$ 1,225
-36	36" Double Flight Auger (317-119A)	380#	380#	\$ 1,572
-38	36" Tree Auger (317-122A)	305#	305#	\$ 1,488
-70	6" Rock Auger (317-280A)	40#	40#	\$ 961
-71	9" Rock Auger (317-263A)	89#	89#	\$ 1,198
-72	12" Rock Auger (317-264A)	111#	111#	\$ 1,478
-73	15" Rock Auger (317-265A)	140#	140#	\$ 1,759
-74	18" Rock Auger (317-266A)	73#	73#	\$ 2,047
-75	24" Rock Auger (317-267A)	80#	80#	\$ 2,573

*Torque based on theoretical 100% efficiency for comparison.
See Accessories on pg. 142

Post Hole Digger Accessories

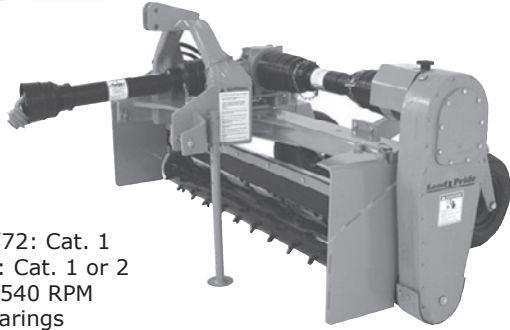
[RETURN TO INDEX](#)

MODEL NUMBER	ACCESSORIES	APPROX. WEIGHT	SHIPPING WEIGHT	LIST PRICE
317-162A	Alignment Handle - PD10 Only	10#	10#	\$ 44
317-159A	Hydraulic Down Pressure Kit - PD10 Only	30#	30#	\$ 622
317-027A	Hydraulic Down Pressure Kit - PD15 Only	35#	35#	\$ 622
317-028A	Hydraulic Down Pressure Kit, 25 & 35 Series	50#	50#	\$ 646
317-166A	PD10 Storage Stand	25#	25#	\$ 232
317-142A	Storage Stand - PD15, PD25, PD35, HD2503, HD3503	30#	30#	\$ 232
317-042A	Alignment Handle	12#	12#	\$ 54
317-040A	7" Auger Extension - PD15, PD25, PD35	9#	9#	\$ 131
317-041A	14" Auger Extension - PD15, PD25, PD35	15#	15#	\$ 167
317-203A	Skid/Loader Mount			\$ 382
AUGER EXTENSIONS				
317-129A	2" Hex - 24" Auger Extension - SA20	34#	34#	\$ 509
317-131A	2" Hex - 48" Auger Extension - SA20	58#	58#	\$ 742
ROCK HEADS				
317-274A	6" Bolt-on Rock Head - SA20	24#	24#	\$ 542
317-275A	9" Bolt-on Rock Head - SA20	36#	36#	\$ 666
317-276A	12" Bolt-on Rock Head - SA20	43#	43#	\$ 723
317-277A	15" Bolt-on Rock Head - SA20	47#	47#	\$ 774
317-278A	18" Bolt-on Rock Head - SA20	62#	62#	\$ 818
317-279A	24" Bolt-on Rock Head - SA20	79#	79#	\$ 958

PR16 Series Powered Rakes

[RETURN TO INDEX](#)

60/72: 25-40 HP • 90: 35-75 HP



Hitch: 60/72: Cat. 1
 90: Cat. 1 or 2
 Gearbox: 540 RPM
 Ball Bearings
 Cast Iron Housing
 Drain Plug

Primary Driveline: Cat. 3
 Secondary Driveline: Cat. 3 with Slip-Clutch
 Material Control Deflector: 1/2" x 5" Hard Urethane
 Roller: 9 3/8" Diameter with 3/4" x 1 1/2" Carbide Tipped Studs
 Ball Bearings at Roller Ends
 Drive Chain: #50 Double Continuous Roller Chain
 High Tensile, Enclosed in Oil Bath
 Angle Adjustment: 15 Degrees Left & Right
 Angle Cylinder: 2" x 8", or Manual Angling Adjustment
 Removable End Plates with Storage Rack
 Gauge Wheels: Air Tires with Sealant and
 3/4" Roller Bearings & Spacer Height Adjustment:
 60": 13" x 6.5"; 72" & 90": 16.5" x 6.5"
 Replaceable Skid Shoes
 Fits Land Pride Cat. 1 Quick-Hitch

Dirtworking

MODEL NUMBER	DESCRIPTION	APPROX. MACHINE WEIGHT	SHIPPING WEIGHT	LIST PRICE
PR1660-0121	16 SERIES POWERED RAKE - 60" Width Carbide Tipped Studded Roller - Manual Angling	1045#	1125#	\$ 10,695
PR1660-0221	16 SERIES POWERED RAKE - 60" Width Carbide Tipped Studded Roller - Hydraulic Angling	1045#	1125#	\$ 10,903
PR1672-0121	16 SERIES POWERED RAKE - 72" Width Carbide Tipped Studded Roller - Manual Angling	1041#	1121#	\$ 11,336
PR1672-0221	16 SERIES POWERED RAKE - 72" Width Carbide Tipped Studded Roller - Hydraulic Angling	1041#	1121#	\$ 11,544
PR1690-0121	16 SERIES POWERED RAKE - 90" Width Carbide Tipped Studded Roller - Manual Angling	1150#	1230#	\$ 12,288
PR1690-0221	16 SERIES POWERED RAKE - 90" Width Carbide Tipped Studded Roller - Hydraulic Angling	1150#	1230#	\$ 12,496
ADD				
OPTION NO.	COLOR OPTION (No Option=Buckskin)			
-82	Orange			

SP20 Series Soil Pulverizers

[RETURN TO INDEX](#)

25-35 HP



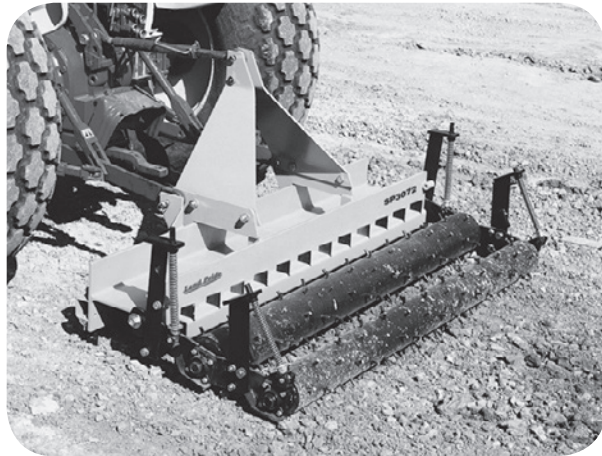
Hitch: Cat. 1
 Single 5 9/16" Steel Spiked Roller
 3/8" x 1 1/4" Steel Spikes with Replaceable Sleeve
 32 Pound/Inch Springs on Roller
 Self-Aligning Cast 1" Bearings with Double Lip Seals
 No. of Scarifiers - 21 on 60", 25 on 72"
 Scarifiers: 10 1/2" x 2" x 1/2" - Reversible
 Scarifier Spacing: 2 23/16"
 10" Frame Beam
 1" Diameter Shaft in Roller
 Fits Land Pride Quick-Hitch

MODEL NUMBER	DESCRIPTION	APPROX. MACHINE WEIGHT	SHIPPING WEIGHT	LIST PRICE
SP2060-02-61	20 SERIES SOIL PULVERIZER - 60" Width Single Spike Roller, Wide 2" Shanks	491#	526#	\$ 1,933
SP2072-02-61	20 SERIES SOIL PULVERIZER - 72" Width Single Spike Roller, Wide 2" Shanks	561#	596#	\$ 2,280
ADD OPTION NO.	COLOR OPTION (No Option=Buckskin)			
-82	Orange			

SP30 Series Soil Pulverizers

[RETURN TO INDEX](#)

30-50 HP



Hitch: Cat. 1 - Clevis Type Lower Hitch
 Formed Plate A-Frame
 Choice of: Single 6⁵/₈" Steel Spiked Roller
 Double Roller: Front 6⁵/₈" - Rear 5⁹/₁₆"
³/₈" x 1¹/₄" Steel Spikes with Replaceable Sleeve
 32 Pound/Inch Springs on Front Roller,
 15 lbs. on Rear Roller
 Self-Aligning Cast 1" Bearings with Double Lip Seals
 12" Frame Beam
 No. of Scarifiers - 25 on 72", 29 on 84"
 Scarifiers: 10 1/2" x 2" x 1/2" - Reversible
 Scarifier Spacing: 2 13/16"
 1" Diameter Shaft in Roller
 Fits Land Pride Quick-Hitch

Dirtworking

MODEL NUMBER	DESCRIPTION	APPROX. MACHINE WEIGHT	SHIPPING WEIGHT	LIST PRICE
With Single Spike Roller				
SP3072-02-61	30 SERIES SOIL PULVERIZER - 72" Width Wide 2" Shanks	728#	783#	\$ 2,630
SP3084-02-61	30 SERIES SOIL PULVERIZER - 84" Width Wide 2" Shanks	850#	905#	\$ 2,930
With Double Spike Roller				
SP3072-02-62	30 SERIES SOIL PULVERIZER - 72" Width Wide 2" Shanks	883#	938#	\$ 3,555
SP3084-02-62	30 SERIES SOIL PULVERIZER - 84" Width Wide 2" Shanks	1030#	1085#	\$ 3,979
ADD OPTION NO.	COLOR OPTION (No Option=Buckskin)			
-82	Orange			

STH15 Series Spike Tooth Harrows

[RETURN TO INDEX](#)

CAT. 1 - Up to 45 HP



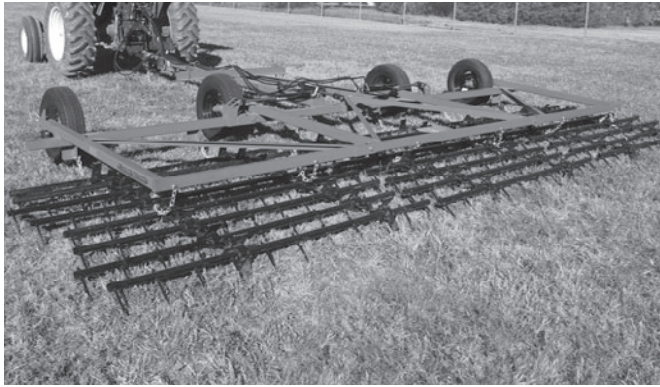
Made in USA
 Hitch: Cat 1
 Working Width: 88⁵/₈"
 Machine Width: 90⁷/₈"
 Front to Rear Length: 4'5"
 No. of Bars: 5
 Tooth Bar: 1¹¹/₁₆" OD
 Chain Suspension for Flexibility
 Spike Tooth: Diamond Shaped, 8¹/₂" Forge Hardened Tip
 Tooth Angles: 10
 Tooth Spacing: 9"
 No. of Teeth: 50 (10 per bar)
 Tooth Ground Contact: Every 1³/₄"

MODEL NUMBER	DESCRIPTION	APPROX. MACHINE WEIGHT	SHIPPING WEIGHT	LIST PRICE
STH1590	15 SERIES SPIKE TOOTH HARROW - 90" Width	237#	300#	\$ 1,218
ADD OPTION NO.	COLOR OPTION (No Option=Buckskin)			
-82	Orange			

STH20 Series Spike Tooth Harrows

[RETURN TO INDEX](#)

Min. HP - 45; Pull-Type



Made In USA
 Hitch: Pull Type with Clevis
 Tongue Weight: 432 lbs.
 Working Width: 23'7"
 Transport Width: 8'6"
 Transport Height: 8'8"
 Transport Length: 15'
 Field Length: 23'
 No. of Bars: 8
 Tooth Bar: 1¹¹/₁₆" OD
 Spike Tooth: Diamond Shaped,
 8¹/₂" Forge Hardened Tip
 Tooth Spacing: 9"
 No. of Teeth: 244
 Teeth on Ground/ft: 12
 Transport Tires: 4 ea, 205R15
 Wheel Hub: 4 Bolt
 Replaceable Wheel Spindles
 Lift Cylinder: 3¹/₂"x 8"
 Wing Cylinders: 2"x 14"

Dirtworking

MODEL NUMBER	DESCRIPTION	APPROX. MACHINE WEIGHT	SHIPPING WEIGHT	LIST PRICE
STH2024	20 SERIES SPIKE TOOTH HARROW - 24' Folding	2,100#	2,100#	\$ 10,514

ADD OPTION NO.	COLOR OPTION (No Option=Buckskin)
-82	Orange

FREIGHT

Does Not Qualify for Free Freight.

LP Truck Freight Rates Apply.

ASSEMBLY REQUIRED

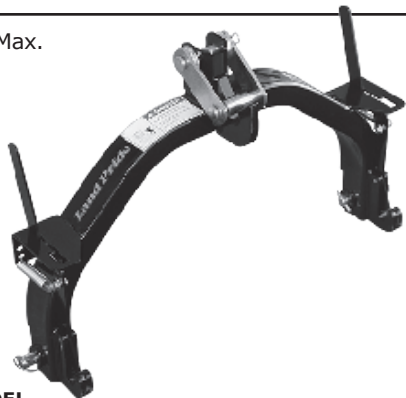
Allow approximately 30 minutes.

Teeth are pre-assembled to the bar.

QH05 Cat. 1 for Subcompact Tractors

[RETURN TO INDEX](#)

28 HP Max.



Overall Width: 32⁵/₈"
 Height: 20¹/₄"
 Length: 6¹/₂"
 Tractor Hitch: Cat. 1, 3-Point, Subcompact
 Lifting Capacity: 700 lbs, 24" Back
 Automatic Lock: On Lower 3-Point Arms

Optional Floating Top Link Attachment Allows Quick-Hitch to be Used with Implements Which Also Have a Floating Top Link
 Can be Shipped UPS (singles only)

Patents Pending

MODEL NUMBER	DESCRIPTION	APPROX. MACHINE WEIGHT	SHIPPING WEIGHT	LIST PRICE
QH05	CAT. 1 QUICK-HITCH	37#	38#	\$ 249
QH05-01	CAT. 1 QUICK-HITCH with Floating Top Link	39#	41#	\$ 263
CHOOSE A COLOR				
-82	Orange			
-85	Black			

ADDITIONAL SAVINGS
6-PAK PRICING

Order 6 QH05s at one time - DEDUCT \$25 on each unit.
 Add option No. -96 to Model Number & Deduct

\$ (25)

For a complete list of compatible Land Pride implements, scan QR code or visit landpride.com/QH05

PTO driven implements may need a longer driveline. Please consult our Service & Parts Department for longer profile availability.

QH10 & QH15 Cat. 1 Series



Overall Width: 32⁵/₈"
 Height: 23¹/₄"
 Length: QH10: 8" QH15: 9"
 Tractor Hitch: Cat. 1, 3-Point
 Automatic Lock on Lower 3-Point Arms

Optional Floating Top Link Attachment Allows Quick-Hitch to be Used with Implements Which Also Have a Floating Top Link

Can be Shipped UPS (singles only)

MODEL NUMBER	DESCRIPTION	APPROX. MACHINE WEIGHT	SHIPPING WEIGHT	LIST PRICE
QH10	CAT. 1 QUICK-HITCH	64#	66#	\$ 516
QH10-01	CAT. 1 QUICK-HITCH with Floating Top Link	67#	69#	\$ 530
QH15	CAT. 1 QUICK-HITCH	70#	72#	\$ 516
QH15-01	CAT. 1 QUICK-HITCH with Floating Top Link	73#	75#	\$ 546
CHOOSE A COLOR				
-82	Orange			
-85	Black			

ADDITIONAL SAVINGS
6-PAK PRICING

Order 6 QH10s or 6 QH15s, Same Color/Same Options, at one time - DEDUCT \$61 on each unit.
 Add option No. -96 to Model Number & Deduct

\$ (61)

Different implements may need lower hitch bushings for a tight attachment on QH15. Please see the Quick-Hitch Operator's Manual for a list of available bushings.

PTO driven implements may need a longer driveline. Please consult our Service & Parts Department for longer profile availability.

[RETURN TO INDEX](#)

QH20 Cat. 2 Series

Hitches



Overall Width: 40"
Height: 23⁵/₈"
Length: 8⁷/₈"
Tractor Hitch: Cat 2, 3-Point
Automatic Lock on Lower 3-Point Arms

Optional Floating Top Link Attachment Allows Quick-Hitch to be Used with Implements Which Also Have a Floating Top Link

QH15 - Can be Shipped UPS (singles only)

MODEL NUMBER	DESCRIPTION	APPROX. MACHINE WEIGHT	SHIPPING WEIGHT	LIST PRICE
QH20	CAT. 2 QUICK-HITCH	120#	130#	\$ 770
QH20-01	CAT. 2 QUICK-HITCH with floating top link	125#	135#	\$ 807

CHOOSE A COLOR

- 82 Orange
- 85 Black

ADDITIONAL SAVINGS
6-PAK PRICING

Order 6 QH20s, Same Color/Same Options, at one time - DEDUCT \$61 on each unit.

Add option No. -96 to Model Number & Deduct \$ (61)

Different implements may need lower hitch bushings for a tight attachment. Please see the Quick-Hitch Operator's Manual for a list of available bushings.

PTO driven implements may need a longer driveline. Please consult our Service & Parts Department for longer profile availability.

QH30 Cat. 3 Series



Overall Width: 44⁵/₈"
Height: 28⁵/₈"
Length: 8⁷/₈"
Tractor Hitch: Cat 3, 3-Point
Automatic Lock on Lower 3-Point Arms
Black only

MODEL NUMBER	DESCRIPTION	APPROX. MACHINE WEIGHT	SHIPPING WEIGHT	LIST PRICE
QH30-85	CAT. 3 QUICK-HITCH	175#	186#	\$ 830

Different implements may need lower hitch bushings for a tight attachment. Please see the Quick-Hitch Operator's Manual for a list of available bushings.

PTO driven implements may need a longer driveline. Please consult our Service & Parts Department for longer profile availability.

WC1503 Series Wood Chipper

[RETURN TO INDEX](#)

12-30 HP



Hitch: Cat. 1, Quick Hitch Compatible
 Chip Capacity*: 3"
 Upper Hitch Plate Thickness: 1/4"
 Main Frame Thickness: 3/16"
 Rotor Housing Thickness: 3/16"
 Rotor Size: 17 1/2"
 Rotor Speed: 1984 rpm
 PTO Speed: 540 rpm
 Driveline Category: Cat. 2
 Main Drive Pulley Diameter: 16.35"
 Rotor Pulley Diameter: 4 1/2"
 Belts: 2 Single B Section
 Belt Tensioner: Spring Loaded with Adjustment
 Hopper Inlet Opening: 14" x 15"
 Chipper Inlet Opening: 6" x 3"
 Spout Discharge Opening: 3 1/4"
 Cutting Knife: Reversible and Replaceable
 Number of Knives: 2
 Knife Size: 2 1/2" x 2" x 1/4"
 Knife Material: Hardened Steel
 Feed System: Self Feed
 Feed Height Above Ground: 35" (No Skids)
 Chip Chute Position: 270 Degrees
 Adjustable Support Stands

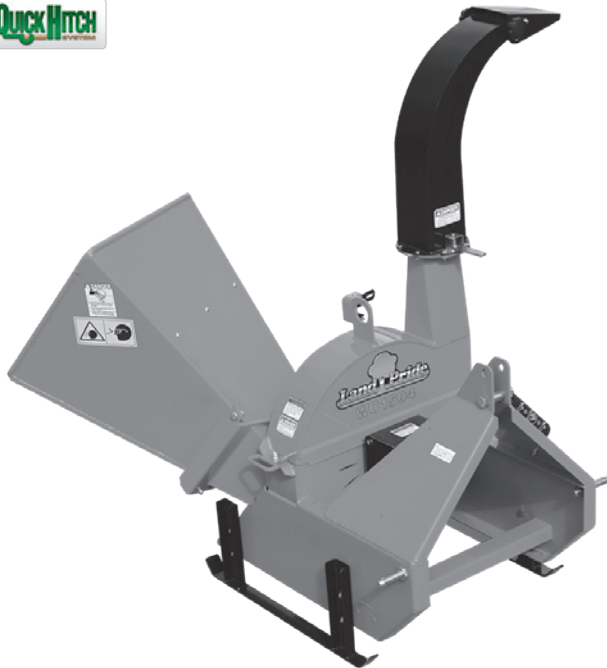
* Min. 25 HP for Maximum Capacity

MODEL NUMBER	DESCRIPTION	APPROX. MACHINE WEIGHT	SHIPPING WEIGHT	LIST PRICE
WC1503	15 SERIES WOOD CHIPPER - 3" Capacity	350#	376#	\$ 3,258
ADD OPTION NO.	COLOR OPTION (No Option=Buckskin)			
-82	Orange			

WC1504 Series Wood Chippers

[RETURN TO INDEX](#)

20-50 HP



Hitch: Cat. 1, Quick Hitch Compatible
 Chip Capacity*: 4"
 Upper Hitch Plate Thickness: 5/16"
 Main Frame Thickness: 3/16"
 Rotor Housing Thickness: 3/16"
 Rotor Size: 25"
 Rotor Speed: 540 rpm (Direct Drive)
 PTO Speed: 540 rpm
 Driveline Category: Cat. 4 Shear Bolt
 Hopper Inlet Opening: 20" x 20"
 Chipper Inlet Opening: 10" x 4"
 Spout Discharge Opening: 5-1/4"
 Cutting Knife: Reversible and Replaceable
 Number of Knives: 4
 Knife Size: 6" x 2" x 1/4"
 Knife Material: Hardened Steel
 Feed System: Self Feed
 Feed Height Above Ground: 24"-30"
 w/Adjustable Support Stands
 Chip Chute Position: 270 Degrees
 Discharge Height: 58" - 64"

* Min. 35 HP for Maximum Capacity

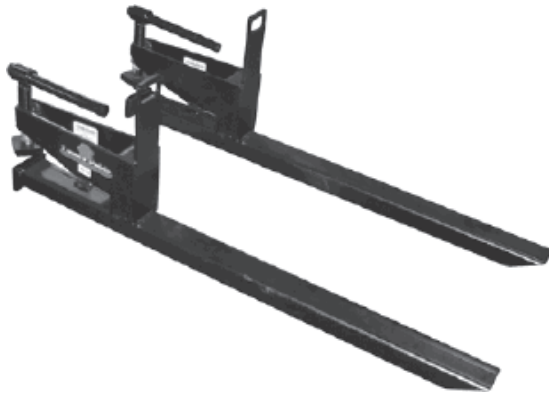
Material Handling

MODEL NUMBER	DESCRIPTION	APPROX. MACHINE WEIGHT	SHIPPING WEIGHT	LIST PRICE
WC1504	15 SERIES WOOD CHIPPER - 4" Capacity	450#	510#	\$ 3,837
ADD OPTION NO.	COLOR OPTION (No Option=Buckskin)			
-82	Orange			

PF10 & PF20 Series Pallet Forks

RETURN TO INDEX

Bucket Mounted



Lift Capacity, per Set
 PF10: 1,000 lbs.
 PF20: 2,000 lbs.
 Fork Tine Length
 PF10: 31⁵/₈"
 PF20: 35⁵/₈"
 Fork Tine Width: 3"
 Fork Tine Thickness: 2"
 Vertical Throat Opening: 1¹/₂"
 Horizontal Throat Depth: 10³/₄"

For Quick-Attach Models, see pg. 154

MODEL NUMBER	DESCRIPTION	APPROX. MACHINE WEIGHT	SHIPPING WEIGHT	LIST PRICE PER FORK
PF10	10 SERIES PALLET FORK - ONE FORK 1,000 lb. capacity/pair	45#	50#	\$ 244
PF20	20 SERIES PALLET FORK - ONE FORK 2,000 lb. capacity/pair	55#	60#	\$ 309

SHIPMENT: Pallet forks are packaged 2 forks per model. You must order a minimum of 12 forks for shipment on a Land Pride Truck. You may split the 12 forks by model in groups of 6 forks.
(i.e. 6 PF10 forks and 6 PF20 forks)

Orders for less than 12 forks are only available for LTL shipment.

SERIAL NUMBER: Each fork has a serial number.

PRICING: Price is for ONE PALLET FORK. You MUST order Qty. 2 to get a pair. We price them this way because each fork is serialized. Each fork being serialized will help with:

- 1) Inventory Control
- 2) Able to use any two when selling a pair
- 3) Finance packaging
- 4) Floorplan terms
- 5) Selling a set of 3 when requested

[RETURN TO INDEX](#)

PFL12 Series Pallet Forks

1,200 lbs. Carrying Capacity



Fork Dimensions: 42"L x 1.25"D x 3" W
 Backframe Guard: 3/16"
 Fork Position Lock: Spring Loaded Toggle

NOT AVAILABLE WITH NAMES PLATES

Material Handling

MODEL NUMBER	DESCRIPTION	APPROX. WEIGHT	SHIPPING WEIGHT	LIST PRICE
PFL1242	12 SERIES UNIVERSAL QUICK-ATTACH PALLET FORKS - 42" Forks 1,200 lbs Carrying Capacity	220#	245#	\$ 705

3-Pak Only

PFL20 Series Pallet Forks

2,100 lbs. Carrying Capacity

Custom Name Plates



Fork Dimensions: 42"L x 1"D x 4" W
 Backframe Guard: 3/16"
 Fork Position Lock: Spring Loaded Toggle

MODEL NUMBER	DESCRIPTION	APPROX. WEIGHT	SHIPPING WEIGHT	LIST PRICE
PFL2042	20 SERIES UNIVERSAL QUICK-ATTACH PALLET FORKS - 42" Forks 2,100 lbs Carrying Capacity	282#	306#	\$ 976

Packed in Qty of 3 same size Units

Quantity less than 3 Units, or those not included in multiple of 3,
 Add OPTION -99

ADD \$ 65

Also Available: Tractor Mounted Pallet Forks page 153

PFL30 Series Pallet Forks

RETURN TO INDEX

3,000 lbs. Carrying Capacity



Fork Dimensions: PFL3042: 42"L x 1 1/4"D x 4"W
 PFL3048: 48"L x 1 1/4"D x 4"W
 Backframe Guard: 3/16"
 Fork Position Lock: Spring Loaded Toggle

<u>MODEL NUMBER</u>	<u>DESCRIPTION</u>	<u>APPROX. WEIGHT</u>	<u>SHIPPING WEIGHT</u>	<u>LIST PRICE</u>
PFL3042	30 SERIES UNIVERSAL QUICK-ATTACH PALLET FORKS - 42" Forks 3,000 lbs Carrying Capacity	340#	388#	\$ 1,051
PFL3048	30 SERIES UNIVERSAL QUICK-ATTACH PALLET FORKS - 48" Forks 3,000 lbs Carrying Capacity	358#	406#	\$ 1,090

Packed in Qty of 3 same size Units

Quantity less than 3 Units, or those not included in multiple of 3, Add OPTION -99 ADD \$ 65

PFLE45 Series Pallet Forks

4,500 lbs. Carrying Capacity

Fork Dimensions: 48"L x 1 1/2"D x 4"W
 Fork Position Lock: Spring Loaded Toggle
 Frame Size: 46"W x 38 1/2"H
 Fork Size: 1 1/2" x 4" ITA Class II
 Adjustable Fork Width: 8"-44"
 Skid Resistant Step

<u>MODEL NUMBER</u>	<u>DESCRIPTION</u>	<u>APPROX. WEIGHT</u>	<u>SHIPPING WEIGHT</u>	<u>LIST PRICE</u>
PFLE4548-93	45 SERIES EURO MOUNT PALLET FORKS - 48" Forks 4,500 lbs Carrying Capacity	422#	470#	\$ 1,209

Packed in Qty of 3 same size Units

Quantity less than 3 Units, or those not included in multiple of 3, Add OPTION -99 ADD \$ 70

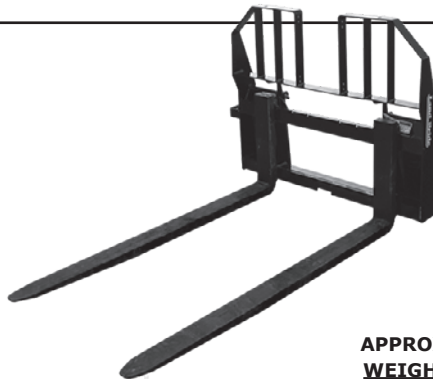
Also Available: Tractor Mounted Pallet Forks page 154

RETURN TO INDEX

PFLE55 Series Pallet Forks

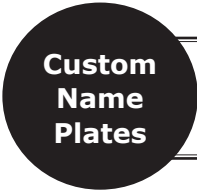
5,500 lbs. Carrying Capacity @ 24"

Fork Dimensions:
 PFLE5548: 48"L x 1³/₄"D x 4" W
 PFLE5560: 60"L x 1³/₄"D x 4" W
 Fork Position Lock: Spring Loaded Toggle
 Frame Size: 46"W x 37"H
 Fork Size: 1³/₄" x 4" ITA Class II
 Adjustable Fork Width: 8"-44"
 Skid Resistant Step



Material Handling

MODEL NUMBER	DESCRIPTION	APPROX. WEIGHT	SHIPPING WEIGHT	LIST PRICE
PFLE5548-93	55 SERIES EURO MOUNT PALLET FORKS - 48" Forks 5,500 lbs Carrying Capacity, Universal Quick-Attach	466#	488#	\$ 1,374
PFLE5560-93	55 SERIES EURO MOUNT PALLET FORKS - 60" Forks 5,500 lbs Carrying Capacity, Universal Quick-Attach	492#	514#	\$ 1,585
PACKED IN QTY of 3 SAME SIZE UNITS				
	Quantity less than 3 Units, or those not included in multiple of 3, DELETE -93 and ADD OPTION -99		ADD	\$ 70

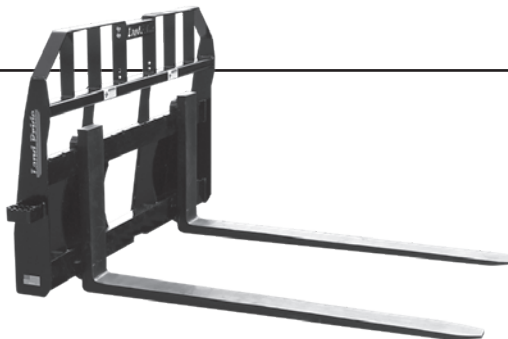


Order any combination of at least 15 PFL20/PFL30/PFLE45/PFLE55/PFL64 and PFLE64s and specify **Accessory 319-126D** to receive Pallet Forks with Custom Name Plate in place of Land Pride Name Plate. Dealer Name is laser cut in 1/8" steel. Please allow additional leadtime.

PFL(E)64 Series Pallet Forks

6,400 lbs. Carrying Capacity @ 24"

Fork Dimensions:
 PFL6448: 48"L x 1³/₄"D x 4³/₄" W
 PFL6460: 60"L x 1³/₄"D x 4³/₄" W
 Fork Position Lock: Spring Loaded Toggle
 Frame Size: 60¹/₂"W x 38¹/₂"H
 Fork Size: 1³/₄" x 4³/₄" ITA Class III
 Hitch: Universal Quick-Attach
 Adjustable Fork Width: 8"-58¹/₂"
 Skid Resistant Step



MODEL NUMBER	DESCRIPTION	APPROX. WEIGHT	SHIPPING WEIGHT	LIST PRICE
PFL6448	64 SERIES PALLET FORKS - 48" Forks 6,400 lbs Carrying Capacity	662#	684#	\$ 1,778
PFLE6448	64 SERIES EURO MOUNT PALLET FORKS - 48" Forks 6,400 lbs Carrying Capacity	686#	708#	\$ 1,822
PFL6460	64 SERIES PALLET FORKS - 60" Forks 6,400 lbs Carrying Capacity	720#	744#	\$ 1,919
PFLE6460	64 SERIES EURO MOUNT PALLET FORKS - 60" Forks 6,400 lbs Carrying Capacity	741#	765#	\$ 1,967

Also Available: Tractor Mounted Pallet Forks page 152

BS10 & BSE10 Series Bale Spears

[RETURN TO INDEX](#)



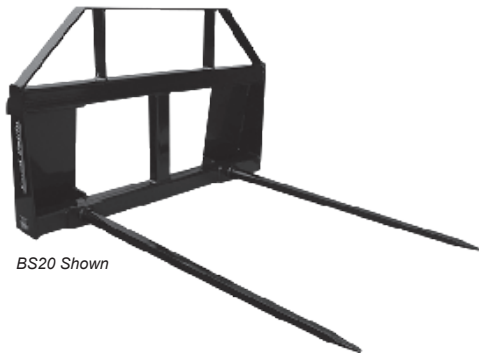
BSE10 Shown

Universal Quick-Attach or Euro Mount
Lift Capacity: 1,800 lbs at 24" from Face of Frame
Spear Length: 45" Upper, 19" Lower
Spear Construction: Forged

MODEL NUMBER	DESCRIPTION	APPROX. MACHINE WEIGHT	SHIPPING WEIGHT	LIST PRICE
BS10-91	10 SERIES BALE SPEAR - SINGLE	166#	176#	\$ 574
BS10-93	10 SERIES BALE SPEAR - 3-PAK	137#	166#	\$ 545
BSE10-91	10 SERIES BALE SPEAR - SINGLE	178#	188#	\$ 644
BSE10-93	10 SERIES BALE SPEAR - 3-PAK	147#	178#	\$ 615

3-PAKS are Same Model Units

BS20 & BSE20 Series Bale Spears



BS20 Shown

Universal Quick-Attach or Euro Hitch
Lift Capacity: 2,500 lbs at 24" From Face of Frame
Usable Spear Length: 45"
Spear Construction: Forged

MODEL NUMBER	DESCRIPTION	APPROX. MACHINE WEIGHT	SHIPPING WEIGHT	LIST PRICE
BS20-91	20 SERIES BALE SPEAR - SINGLE	206#	216#	\$ 737
BS20-93	20 SERIES BALE SPEAR - 3-PAK	177#	206#	\$ 708
BSE20-91	20 SERIES BALE SPEAR - SINGLE	218#	228#	\$ 792
BSE20-93	20 SERIES BALE SPEAR - 3-PAK	187#	218#	\$ 763

3-PAKS are Same Model Units

BS30 & BSE30 Series Bale Spears

[RETURN TO INDEX](#)

Material Handling



BS30 Shown

Universal Quick-Attach or Euro Mount
Lift Capacity: 3,000 lbs at 24" from Face of Frame
Spear Construction: Forged
Spear Length: 32", 39", 49"
Usable Spear Length: 28", 35", 45"

MODEL NUMBER	DESCRIPTION	APPROX. MACHINE WEIGHT	SHIPPING WEIGHT	LIST PRICE
BS30-91	30 SERIES BALE SPEAR - SINGLE	164#	184#	\$ 639
BS30-93	30 SERIES BALE SPEAR - 3-PAK	164#	527#	\$ 597
BSE30-91	30 SERIES BALE SPEAR - SINGLE, EURO-MOUNT	196#	206#	\$ 680
BSE30-93	30 SERIES BALE SPEAR - 3-PAK, EURO-MOUNT	186#	593#	\$ 638
ADD OPTION YOU MUST CHOOSE A SPEAR OPTION				
-11	3 32" Spears	44#	44#	\$ 174
-12	3 39" Spears	50#	50#	\$ 214
-13	3 49" Spears	63#	63#	\$ 254
ADD OPTION				
-31	61.4" Extensions with 19" Spikes	70#	70#	\$ 214

3-PAKS are Same Model Units

BS40 & BSE40 Series Bale Spears



BS40 Shown

Universal Quick-Attach or Euro Hitch
Lift Capacity: 3,000 lbs at 24" From Face of Frame
Spear Length: 32", 39", 49", 49" with 19" Spikes
Usable Spear Length: 28", 35", 45", 45" with 15" Spikes
Spear Construction: Forged

MODEL NUMBER	DESCRIPTION	APPROX. MACHINE WEIGHT	SHIPPING WEIGHT	LIST PRICE
BS40-91	40 SERIES BALE SPEAR - SINGLE	171#	191#	\$ 687
BS40-93	40 SERIES BALE SPEAR - 3-PAK	171#	548#	\$ 645
BSE40-91	40 SERIES BALE SPEAR - SINGLE, EURO-MOUNT	193#	213#	\$ 725
BSE40-93	40 SERIES BALE SPEAR - 3-PAK, EURO-MOUNT	193#	614#	\$ 683
3-PAKS are Same Model Units				
ADD OPTION YOU MUST CHOOSE A SPEAR OPTION				
-10	49" Spear with 2 19" Spikes	38#		\$ 150
-11	3 32" Spears	44#		\$ 174
-12	3 39" Spears	50#		\$ 214
-13	3 49" Spears	63#		\$ 254
-14	1 49" Spear and 3 32" Spears	66#		\$ 254
-15	1 49" Spear and 3 39" Spears	72#		\$ 296
ADD OPTION				
-31	61.4" Extensions with 19" Spikes	70#		\$ 214

BS50 & BSE50 Series Bale Spears

RETURN TO INDEX



Universal Quick-Attach or Euro Mount
 Lift Capacity: 4,000 lbs at 24" from Face of Frame
 Spear Length: 32", 39", 49"
 Usable Spear Length: 28", 35", 45"
 Spear Construction: Forged

MODEL NUMBER	DESCRIPTION	APPROX. MACHINE WEIGHT	SHIPPING WEIGHT	LIST PRICE
BS50-91	50 SERIES BALE SPEAR - SINGLE	201#	223#	\$ 743
BS50-93	50 SERIES BALE SPEAR - 3-PAK	201#	638#	\$ 701
BSE50-91	50 SERIES BALE SPEAR - SINGLE, EURO-MOUNT	223#	246#	\$ 785
BSE50-93	50 SERIES BALE SPEAR - 3-PAK, EURO-MOUNT	223#	704#	\$ 743

3-PAKS are Same Model Units

ADD OPTION YOU MUST CHOOSE A SPEAR OPTION

-11	3 32" Spears	44#		\$ 174
-12	3 39" Spears	50#		\$ 214
-13	3 49" Spears	63#		\$ 254
-16	4 32" Spears	60#		\$ 233
-17	4 39" Spears	67#		\$ 285
-18	4 49" Spears	85#		\$ 339
<u>ADD OPTION</u>				
-31	61.4" Extensions with 19" Spikes	70#		\$ 214

BSR10 Series Bale Spears

[RETURN TO INDEX](#)



Hitch: 3-Pt Cat. 1 or 2
 Lift Capacity: 1,800 lbs at 24" from Face of Frame
 Spear Length: 44" Useable Upper, 19" Lower
 Spear Construction: Forged

Material Handling

MODEL NUMBER	DESCRIPTION	APPROX. MACHINE WEIGHT	SHIPPING WEIGHT	LIST PRICE
BSR10	10 SERIES 3-PT BALE SPEAR	106#	126#	\$ 416

Must be Ordered in Quantities of 4

BSR20, BSR30 & BSR40 Series Bale Spears



BSR40 Shown

Hitch: 3-Pt Cat. 2 or 3
 Lift Capacity at 24" From Face of Frame:
 BSR20 & BSR30 - 3,000 lbs; BSR40: 4,000 lbs
 Usable Spear Length:
 44" on BSR20 & BSR40; Varies on BSR30
 Spear Construction: Forged

MODEL NUMBER	DESCRIPTION	APPROX. MACHINE WEIGHT	SHIPPING WEIGHT	LIST PRICE
BSR20	20 SERIES BALE SPEAR	152#	173#	\$ 588
BSR30-11	30 SERIES 3 PT BALE SPEAR 32" SPEARS (27" USABLE)	164#	185#	\$ 813
BSR30-12	30 SERIES 3 PT BALE SPEAR 39" SPEARS (34" USABLE)	170#	191#	\$ 853
BSR30-13	30 SERIES 3 PT BALE SPEAR 49" SPEARS (44" USABLE)	183#	204#	\$ 893
BSR40	40 SERIES 3 PT BALE SPEAR	260#	282#	\$ 1,175

Must be ordered in quantities of 2

BG/BGE2400 Series Bale Grabber

RETURN TO INDEX



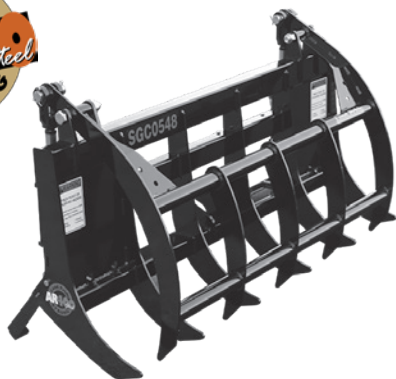
Height: 46"
 Opening: 92"
 3 x 16 x 1.5 Welded Cylinder
 Euro or Skid Hitch
 3" x 3/16" Tubes
 Optional Counter Balance Valve
 Black Only

MODEL NUMBER	DESCRIPTION	APPROX. MACHINE WEIGHT	SHIPPING WEIGHT	LIST PRICE
BG2400	ROUND BALE GRABBER Universal Skid Hitch	709#	730#	\$ 2,508
BGE2400	ROUND BALE GRABBER Euro Hitch	605#	627#	\$ 2,508
ADD				
OPTION NO.	You MUST Choose a Valve			
-31	Cylinder 3 x 16 x 1.5	39#	39#	\$ 358
-32	Cylinder 3 x 16 x 1.5 and Counter Balance Valve	42#	42#	\$ 477
You MUST Choose a Hose Kit				
-41	Skid Steer Hose Kit, 3/8"	30#	30#	\$ 199
-42	Tractor Hose Kit, 24'	10#	10#	\$ 151
-43	Hose Kit, 3rd Function to Bulk Head	10#	10#	\$ 72

SGC05 Series Claw Grapple

RETURN TO INDEX

26 HP & Below



Width: 48", 54"
 Closed Height: 26-1/2"
 Number of Bottom Teeth: 6, 7
 Number of Top Teeth: 5, 6
 Spacing of Teeth: 9-3/8"
 Tooth Thickness: 1/4"
 Working Length of Teeth: 8³/₈"
 Hydraulic Cylinder: 2 Qty, 2" x 4" x 1¹/₈"
 Max. Jaw Opening: 30"
 Tine Material: High Tensile AR400

Material Handling

MODEL NUMBER	DESCRIPTION	APPROX. MACHINE WEIGHT	SHIPPING WEIGHT	LIST PRICE
SGC0548-91	05 SERIES CLAW GRAPPLE - 48" Width Single Unit	145#	156#	\$ 1,351
SGC0548-93	05 SERIES CLAW GRAPPLE - 48" Width 3-Pack	145#	156#	\$ 1,293

NOTE: SGC0548 fits 60 and 70 Series BX Quick Hitch and 60, 70 and 80 Series BX direct pin on.

OPTIONS

-11	Hose Kit for <u>LAND PRIDE</u> 3rd Function (380-297A) (Hoses from Bulkhead to Grapple)		8#	\$ 84
-12	Hose Kit for <u>KUBOTA</u> 3rd Function (380-298A) (Hoses from Bulkhead to Grapple)		8#	\$ 84
-30	3rd Function Valve Kit for Kubota BX60 & BX70 (380-137A)		19#	\$ 754
-34	3rd Function Valve Kit for Kubota BX80 (380-289A)		20#	\$ 789
-39	Adaptor Kit for <u>KUBOTA</u> 3rd Function		2#	\$ 26
-72	BX80 Loader Arm Pin-On Kit (380-296A)		2#	\$ 14
-73	Direct Loader Pin Kit for Kubota BX60 & BX70 (380-146A)		2#	\$ 14

MODEL NUMBER	DESCRIPTION	APPROX. MACHINE WEIGHT	SHIPPING WEIGHT	LIST PRICE
SGC0554-91	05 SERIES CLAW GRAPPLE - 54" Width Single Unit 2-Lever Quick-Attach Hitch		236#	\$ 1,616
SGC0554-93	05 SERIES CLAW GRAPPLE - 54" Width 3-Pack 2-Lever Quick-Attach Hitch		236#	\$ 1,558

NOTE: SGC0554 is only for the Kubota 80 Series BX Tractors with 2 lever hitch plates.

OPTIONS

-34	3rd Function Valve Kit for Kubota BX80 (380-289A)		20#	\$ 789
-39	Adaptor/Coupler Kit for Kubota 80 Series 3rd Function Valve (380-281A)		2#	\$ 26

CB05 Series Combination Buckets

RETURN TO INDEX

Up to 28 HP



Width: 50"
 Closed Height: 20-1/2"
 Max. Jaw Opening: 30"
 Bucket Depth: 21"
 Cutting Edges: 3/8" x 3"
 Side Panels: 3/16"
 Bottom and Back Plate: 10 Gauge
 Hydraulic Cylinder: 2 Qty, 2" x 6" x 1-1/8"
 Hydraulic Cylinder Rating: 2,500 PSI
 Hinge Points: 1" Pins

NOTE: Fits 60 and 70 Series BX Quick Hitch
 and 60, 70 and 80 Series BX direct pin on.

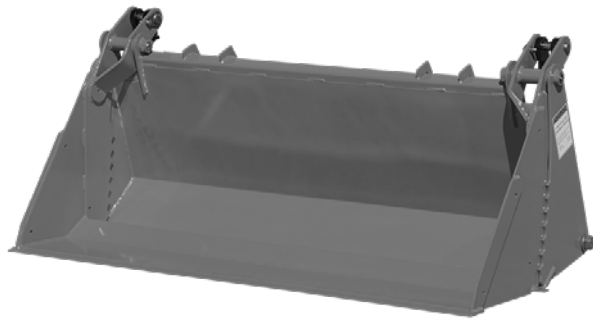
AVAILABLE IN ORANGE ONLY

MODEL NUMBER	DESCRIPTION	APPROX. MACHINE WEIGHT	SHIPPING WEIGHT	LIST PRICE
CB0550-82	05 SERIES COMBINATION BUCKET - 50"	266#	286#	\$ 2,141
OPTIONS				
-11	Hose Kit for <u>LAND PRIDE</u> 3rd Function (380-297A) (Hoses from Bulkhead to Grapple)		8#	\$ 84
-12	Hose Kit for <u>KUBOTA</u> 3rd Function (380-298A) (Hoses from Bulkhead to Grapple)		8#	\$ 84
-30	3rd Function Valve Kit for Kubota BX Tractors (380-137A)		19#	\$ 754
-34	3rd Function Valve Kit for Kubota BX80 (380-289A)		20#	\$ 789
-39	Adaptor Kit for <u>KUBOTA</u> 3rd Function			\$ 26
-72	BX80 Loader Arm Pin-On Kit (380-296A)		2#	\$ 14
-73	Direct Loader Pin Kit for BX60 & BX70 (380-146A)		2#	\$ 14

CB10 Series Combination Buckets

[RETURN TO INDEX](#)

Up to 40 HP



Hitch: Universal Quick-Attach Skid Plate
 Width: 60"
 Closed Height: 20-1/2"
 Max. Jaw Opening: 28"
 Bucket Depth: 21"
 Cutting Edges: 3/8" x 3"
 Side Panels: 3/16"
 Jaw Bottom Plates: 10 Gauge, Grade 80
 Hydraulic Cylinder: 2 Qty, 2" x 6" x 1-1/8"
 Hydraulic Cylinder Rating: 3,000 PSI
 Hinge Points: 1" Pins w/Hardened Bushings
 3000 lb. Clamping Force @ 2250 psi
 Capacity: 10 cu.ft. Heaped
 7.8 cu.ft. Struck

AVAILABLE IN ORANGE ONLY

Material Handling

MODEL NUMBER	DESCRIPTION	APPROX. MACHINE WEIGHT	SHIPPING WEIGHT	LIST PRICE
CB1060-82	10 SERIES COMBINATION BUCKET - 60"	363#	388#	\$ 2,441
OPTIONS				
-12	Hose Kit for <u>LAND PRIDE</u> 3rd Function (380-150A) (Hoses from Bulkhead to Grapple)		5#	\$ 113
-30	3rd Function Valve Kit for Kubota B3300 Tractors (380-093A)		15#	\$ 744
-33	3rd Function Valve Kit for Kubota B3350 (380-168A)		22#	\$ 770
-34	3rd Function Valve Kit for Kubota L3301 (380-152A)		22#	\$ 744

SGC06 Series Claw Grapple

RETURN TO INDEX

40 HP & Below



Width: 62"
 Closed Height: 30"
 Number of Bottom Teeth: 7
 Number of Top Teeth: 6
 Spacing of Teeth: 9-3/8"
 Tooth Thickness: 5/16"
 Working Length of Teeth: 9"
 Hydraulic Cylinder: 2 Qty, 2" x 6" x 1 1/8"
 Max. Jaw Opening: 32"
 Tine Material: High Tensile AR400



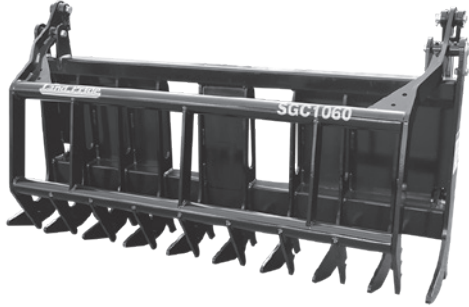
NOTE: NOT for Skid Steer Use

MODEL NUMBER	DESCRIPTION	APPROX. MACHINE WEIGHT	SHIPPING WEIGHT	LIST PRICE
SGC0660-70	06 SERIES CLAW GRAPPLE - 60" Width No Mount - Dealer Installs	220#	248#	\$ 1,732
SGC0660-71	06 SERIES CLAW GRAPPLE - 60" Width Universal Quick-Attach	247#	275#	\$ 1,800
SGC0660-72	06 SERIES CLAW GRAPPLE - 60" Width Kubota B Mount	258#	286#	\$ 1,821
OPTIONS				
-12	Hose Kit, Bulkhead to Grapple (380-150A) B3300/LA504, B3350/B2650, L3301, L3901, L3200, L3800		5#	\$ 113
-13	Hose Kit, Bulkhead to Grapple (380-154A) BX, B2320, B2620, B2301, B2601		2#	\$ 101
-30	3rd Function Valve Kit for Kubota B3300 Tractors (380-093A)	15#	15#	\$ 744
-31	3rd Function Valve Kit for Kubota B2301/B2320, B2601/B2620 Tractors (380-149A)	25#	25#	\$ 770
-33	3rd Function Valve Kit for Kubota B3350, B2650 Tractors (380-168A)	22#	22#	\$ 770
-34	3rd Function Valve Kit for Kubota L3301, L3901, L3200, L3800 Tractors (380-152A)	22#	22#	\$ 744

SGC10 Series Claw Grapple

[RETURN TO INDEX](#)

30-55 HP



Closed Height: 33"
 Number of Bottom Teeth: 10, 12
 Number of Top Teeth: 9, 11
 Spacing of Teeth: 6"
 Tooth Thickness: 1/2" Outer; 3/8" Inner
 Working Length of Teeth: 11 1/4"
 Hydraulic Cylinder: 2 Qty, 2" x 6" x 1 1/8" Rod
 Max. Jaw Opening: 39 3/4"
 Tine Material: High Tensile AR400

NOTE: Not Intended for Skid Steer Use
 *Does not include hoses or fittings from product to loader



Material Handling

MODEL NUMBER	DESCRIPTION	APPROX. MACHINE WEIGHT	SHIPPING WEIGHT	LIST PRICE
SGC1060-70	10 SERIES CLAW GRAPPLE - 61" Width No Mount - Dealer Installs	376#	395#	\$ 2,903
SGC1072-70	10 SERIES CLAW GRAPPLE - 74" Width No Mount - Dealer Installs	423#	485#	\$ 3,060
SGC1060-71	10 SERIES CLAW GRAPPLE - 61" Width Universal Quick-Attach	410#	429#	\$ 3,101
SGC1072-71	10 SERIES CLAW GRAPPLE - 74" Width Universal Quick-Attach	447#	510#	\$ 3,263
SGC1060-72	10 SERIES CLAW GRAPPLE - 61" Width Kubota B-Series Mount	398#	417#	\$ 3,101
SGC1072-72	10 SERIES CLAW GRAPPLE - 74" Width Kubota B-Series Mount	437#	500#	\$ 3,263
OPTIONS				
-12	Hose Kit for 3rd Function (Hoses from Bulkhead to Grapple) (380-150A)	8#	5#	\$ 113
-30	B3300/LA504 3rd Function Kit (380-093A) (Does not include hoses from Bulkhead to Grapple)	15#	15#	\$ 744
-31	L2501/L3301/L3901/L4701/L3200/L3800 3rd Function Kit (380-152A) (Does not include hoses from Bulkhead to Grapple)	15#	22#	\$ 744
-32	MX4700/4800/5100/5200/5800 3rd Function Valve Kit (380-166A)	15#	21#	\$ 770
-33	B2650/3350 3rd Function Valve (380-168A)	15#	22#	\$ 770
ACCESSORIES				
380-147A	Weld-on B Series Mounting Kit	32#	32#	\$ 158

SGC15 Series Claw Grapple

RETURN TO INDEX

50-135 HP



Closed Height: 39"
 Number of Bottom Teeth: 10, 12, 14
 Number of Top Teeth: 9, 11, 13
 Spacing of Teeth: 6"
 Tooth Thickness: 1/2"
 Working Length of Teeth: 12 7/8"
 Hydraulic Cylinder: 2 Qty, 3" x 10" x 1 1/4" Rod
 Max. Jaw Opening: 50"
 Tine Material: High Strength Grade 80 Material

*Does not include hoses or fittings from product to loader

MODEL NUMBER	DESCRIPTION	APPROX. MACHINE WEIGHT	SHIPPING WEIGHT	LIST PRICE
SGC1560	15 SERIES CLAW GRAPPLE - 63" Width	796#	796#	\$ 4,001
SGC1572	15 SERIES CLAW GRAPPLE - 74" Width	894#	894#	\$ 4,396
SGC1584	15 SERIES CLAW GRAPPLE - 86" Width	999#	999#	\$ 4,846
ADD OPTION NO				
-11	Hoses & Flat Face Fitting Bundle 76" (380-063A)	9#	9#	\$ 234
-12	Hose Kit for 3rd Function (Hoses from Bulkhead to Grapple) (380-150A)	5#	5#	\$ 113
-32	MX4700/4800/5100/5200/5800 3rd Function Valve Kit (380-166A)	20#	20#	\$ 770

SSB15 Series Skeleton Buckets

[RETURN TO INDEX](#)

50-135 HP



Height: 21½"
Number of Teeth: 12, 14
Spacing of Teeth: 5½"
Tooth Thickness: ¾"
Working Length of Teeth: 35"
Tine Material: High Strength Grade 80 Material

Material Handling

MODEL NUMBER	DESCRIPTION	APPROX. MACHINE WEIGHT	SHIPPING WEIGHT	LIST PRICE
SSB1578	15 SERIES SKELETON BUCKET - 78" Width	583#	601#	\$ 1,908
ACCESSORY				
380-057A	Bolt-on End Panels	63#	63#	\$ 169

MUST BE ORDERED AS TWO PACKS, SAME SIZE

SGS15 Series Skeleton Grapples

50-135 HP



Closed Height: 30¾"
Number of Bottom Teeth: 12, 14
Spacing of Teeth: 5½"
Tooth Thickness: ¾"
Working Length of Teeth: 35"
Hydraulic Cylinder: 2" x 8" x 1¼" Rod
Max. Jaw Opening: 37"
Tine Material: High Strength Grade 80 Material

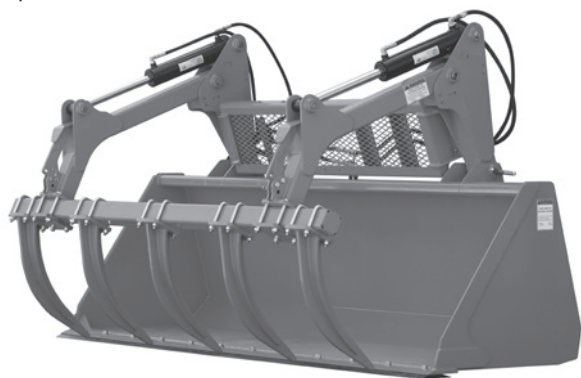
*Does not include hoses or fitting

MODEL NUMBER	DESCRIPTION	APPROX. MACHINE WEIGHT	SHIPPING WEIGHT	LIST PRICE
SGS1566-01	15 SERIES SKELETON GRAPPLE - 66" Width	680#	694#	\$ 3,838
SGS1578-01	15 SERIES SKELETON GRAPPLE - 78" Width	732#	746#	\$ 4,015
ADD OPTION NO.				
-11	Hoses & Flat Face Fitting Bundle 95" (380-061A)	20#	20#	\$ 234
-12	Hose Kit for 3rd Function (Hoses from Bulkhead to Grapple) (380-150A)	5#	5#	\$ 113
-21	Hydraulic Cylinder Shields -2 each (380-023A)	34#	34#	\$ 145
-32	MX4700/4800/5100/5200/5800 3rd Function Valve Kit (380-166A)	20#	20#	\$ 770
ACCESSORY				
380-057A	Bolt-on End Panels	63#	63#	\$ 169

GB25/GBE25 Series Grapple Buckets

[RETURN TO INDEX](#)

Up to 180 HP



Closed Height: 57.5"
 Jaw Opening: 84"
 Bucket: 3/16" Grade 50 High Strength Steel
 Tines: 90" and 96": 4, 108": 5
 Tine Spacing: Bolt-on, Adjustable
 Tine Material: Ductile Iron Tine with Reinforced Gussets
 Cylinders: Dual 3" x 14" x 1 1/2" rod, 3,500 PSI
 Bucket Capacity (Struck):
 90" 1.00 cu yd; 96" 1.07 cu yd; 108" 1.18 cu yd
 Optional Bolt On Cutting Edge
 Optional Counter Balance Valve

MODEL NUMBER	DESCRIPTION	APPROX. MACHINE WEIGHT	SHIPPING WEIGHT	LIST PRICE
GB2590-01	25 SERIES GRAPPLE BUCKET Universal Quick-Attach, 90"	1620#	1742#	\$ 5,874
GB2596-01	25 SERIES GRAPPLE BUCKET Universal Quick-Attach, 96"	1658#	1780#	\$ 5,961
DELETE -01 AND DEDUCT \$2,912 for 90" or 96" BUCKET ONLY				
GB25108-01	25 SERIES GRAPPLE BUCKET Universal Quick-Attach Mount, 108"	1792#	1914#	\$ 6,379
DELETE -01 AND DEDUCT \$3,111 for 108" BUCKET ONLY				
GBE2590-01	25 SERIES GRAPPLE BUCKET Euro Mount, 90"	1610#	1729#	\$ 5,803
GBE2596-01	25 SERIES GRAPPLE BUCKET Euro Mount, 96"	1648#	1767#	\$ 5,857
DELETE -01 AND DEDUCT \$2,912 for 90" or 96" BUCKET ONLY				
GBE25108-01	25 SERIES GRAPPLE BUCKET Euro Mount, 108"	1781#	1900#	\$ 6,280
DELETE -01 AND DEDUCT \$3,111 for 108" BUCKET ONLY				
OPTIONS				
-10	90" Bolt On Cutting Edge			\$ 181
-10	96" Bolt On Cutting Edge			\$ 193
-10	108" Bolt On Cutting Edge			\$ 219
-30	Counter Balance Valve			\$ 303
<u>You MUST Choose a Color Option</u>				
-82	Orange			
-85	Black			

Grapple Accessories

RETURN TO INDEX

Material Handling

PART NUMBER	DESCRIPTION	APPROX. MACHINE WEIGHT	SHIPPING WEIGHT	LIST PRICE
380-152A	3rd Function Valve Kit - L2501/L3301/L3901/L3200/L3800 (Does not include hoses from Bulkhead to Grapple) SGM15 Series, SGC10 Series	15#	15#	\$ 744
380-137A	3rd Function Valve Kit - BX60/70 Series (Does not include hoses from Bulkhead to Grapple) SGC05 Series	10#	10#	\$ 754
380-149A	3rd Function Valve Kit - B2301/B2601/B2320/B2620 (Does not include hoses from Bulkhead to Grapple) SGC06 Series	10#	10#	\$ 770
380-093A	3rd Function Valve Kit - B3300/LA504 (Does not include hoses from Bulkhead to Grapple) SGC10 Series	15#	15#	\$ 744
380-166A	3rd Function Valve Kit - MX4700/LA844, MX4800/LA1065, MX5100/LA844, MX5200/LA1065, MX5800/LA1065 (Does not include hoses from Bulkhead to Grapple) SGC10, SGM15, SGC15, SGC20, SGR15, SGS15	15#	15#	\$ 770
380-168A	3rd Function Valve Kit - B3350/B2650 Cab & Non-Cab, Loader LA534(A) (Does not include hoses from Bulkhead to Grapple) SGC10, SGM15, SGC15, SGC20, SGR15, SGS15	15#	15#	\$ 770
380-289A	3rd Function Valve Kit - BX80 Loader LA344/340/340S, SGC0554, CB0550 (Does not include hoses from Bulkhead to Grapple)	20#	20#	\$ 789
380-154A	Hose kit linking bulk head to front loader attachment - BX, B2320, B2620			\$ 101
380-150A	Hose kit linking bulk head to front loader attachment - B3300, LA504, L3301, L3901, L3200, L3800			\$ 113

Land Pride 3rd Function Valve Kits include a molded handle and push-button switches for opening and closing grapples; it mounts on the loader control lever and is held in place by two set screws.

The Land Pride Valve Kit has mounting brackets specific to this tractor/loader combination and is connected to the power beyond. Once installed, this kit offers true 3rd-function hydraulic capabilities.

Tractor	Loader	Part No.	Unit	Option
BX	LA504A & LA240	380-137A	SGC0548	-30
BX80	LA344/LA340/LA340S	380-289A	SGC0554 & CB0550	-34
B2301 & B2601	LA434	380-149A	SGC0660	-31
B2320/2620	LA364	380-149A	SGC0660	-31
B3300	LA504	380-093A	SGC10	-30
L2501	LA525	380-152A	SGC10 & SGM15	-31
L3301 & L3901	LA525	380-152A	SGC10 & SGM15	-31
L3200 & L3800	LA524	380-152A	SGC10 & SGM15	-31
L4600 & L4701	LA764/LA765	380-152A	SGC10/15/20 & SGM15 & SGR15 & SGS15	-31
MX5200 & MX4800	LA1065	380-166A	SGC15/20 & SGM15 & SGR15 & SGS15	-32
MX5100 & MX4700	LA844	380-166A	SGC15/20 & SGM15 & SGR15 & SGS15	-32
MX5800	LA1065	380-166A	SGC10/15/20 & SGM15 & SGR15 & SGS15	
B2650 & B3350	LA534 & LA534A	380-168A	SGC1060/72	-33

SB15/SB25 Series Snow Blowers

RETURN TO INDEX

SB15: 30-59 HP • SB25:43-105 HP



Working Width : 74", 84"
 Telescoping Hitch: 74": Cat 1, 84": Cat 1 & 2
 Main Housing Material: 12 Gauge
 Side Plate Material: 3/16"
 Impeller: 24" Diameter
 Impeller Housing Depth: 74: 8", 84: 10"
 Impeller Blades: 4
 Auger: 16" Diameter
 Auger Paddles: 4
 Drive Chain: #60
 Chute Opening at Base: 74: 10", 84: 12"
 Chute Rotation: Sprocket Type; Manual, Electric or Hydraulic
 Chute Deflector Operation: Manual, Electric or Hydraulic
 Driveshaft Shear Bolt: Grade 5 - 1/4 x 20
 PTO Driveline: Cat. 3 Heavy, Shear Bolt
 Optional Wear Edge:
 Bolt-on, Reversible & Replaceable
 Hardened or Non-Hardened Steel, Full Width
 Optional Skid Shoes:
 Outer: Bolt-on, Adjustable & Replaceable
 Wear Plate: Bolt-on, Replaceable & Reversible
 Button Style: Adjustable & Replaceable, In-board, Rear

Snow Tools

SEE SNOW BLOWER FREIGHT CHART FOR LTL RATES

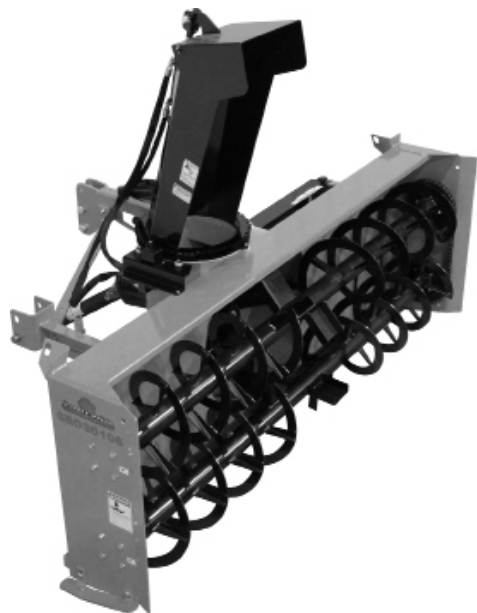
MODEL NUMBER	DESCRIPTION	APPROX. MACHINE WEIGHT	SHIPPING WEIGHT	LIST PRICE
SB1574	15 SERIES - 74" SNOW BLOWER	579#	673#	\$ 3,918
SB2584	25 SERIES - 84" SNOW BLOWER	701#	783#	\$ 4,650
ADD				
OPTION NO.	You MUST Choose a Chute Adjustment			
-10	Manual Rotation Adjustment (370-457A)	9#	9#	\$ 92
-11	Hydraulic Rotation Adjustment (370-396A)	15#	15#	\$ 542
-12	Electric Rotation Adjustment (370-397A) (You must also select Option 30)*	12#	12#	\$ 475
	You MUST Choose a Chute Deflector Adjustment			
-20	Manual Deflector Adjustment (370-030A)	2#	2#	\$ 39
-21	Hydraulic Deflector Adjustment (370-023A)	17#	17#	\$ 238
-22	Electric Deflector Adjustment (370-029A) (You must also select Option 30)*	13#	13#	\$ 516
	You Must Choose a Wire Harness if Option -12 or 22 is Chosen			
-30	Harness for Electric Chute and/or Tilt Adjustment (370-118A)			\$ 215
	You May Choose a Skid Shoe Option			
-40	Side Plates (370-106A)	14#	14#	\$ 41
-41	Outer Skid Shoes (370-115A)	8#	8#	\$ 44
	You May Choose a Rear Skid Shoe Option			
-50	Button Style Skid Shoes (370-105A)	23#	23#	\$ 127
	You May Choose a Wear Edge Option			
-60	Hardened Steel Wear Edge - SB1574 Only (370-108A)	16#	16#	\$ 194
-60	Hardened Steel Wear Edge - SB2584 Only (370-111A)	18#	18#	\$ 221
-61	Steel Wear Edge - SB1574 Only (370-444A)	16#	16#	\$ 45
-61	Steel Wear Edge - SB2584 Only (370-445A)	18#	18#	\$ 53
	Color Options (No Option=Buckskin)			
-82	Orange			

* You only need one Option 30 if either or both Electric Rotation and/or Electric Tilt is selected

SBD35 Series Snow Blowers

RETURN TO INDEX

85-180 HP



Working Width : 96", 108"
 Hitch: 74": Cat. 2 & 3, Adjustable
 Main Housing Material: 96: 10 Ga.; 108: 3/16"
 Side Plate Material: 1/4"
 Impeller: 34" Diameter
 Impeller Housing Depth: 10"
 Impeller Blades: 4
 Auger: 16" Diameter
 Auger Flighting: 3/8"
 Auger Paddles: 4
 Drive Chain: 96: #60; 108: #80
 Chute Opening at Base: 96: 12"; 108: 15-5/8"
 Chute Rotation: Sprocket Type; Hydraulic
 Chute Deflector Operation: Manual or Hydraulic
 Driveshaft Shear Bolt: Grade 5 - 1/4 x 20
 PTO Driveline: Cat. 5, Shear Bolt
 Cutting Edge:
 Bolt-on, Reversible & Replaceable
 Hardened Steel, Full Width
 Skid Shoes:
 Adjustable & Replaceable

MODEL NUMBER	DESCRIPTION	APPROX. MACHINE WEIGHT	SHIPPING WEIGHT	LIST PRICE
SBD3596	35 SERIES - 96" 3-POINT SNOW BLOWER	1,563#	1,605#	\$ 6,931
SBD35108	35 SERIES - 108" 3-POINT SNOW BLOWER	1,964#	2,008#	\$ 9,705
ADD				
OPTION NO.	Choose a Tilt Adjustment			
-20	Manual Tilt Adjustment	2#	2#	\$ 37
-21	Hydraulic Tilt Adjustment	13#	13#	\$ 281
You MUST Choose a Driveline				
-30	96", 540 RPM, 1-3/8"	48#	48#	\$ 293
-30	108", 540 RPM, 1-3/8"	85#	85#	\$ 788
-31-40	108" 1000 RPM Chain Reducer, 1-3/8" 20 Spline	290#	290#	\$ 2,808
-32-40	108" 1000 RPM Chain Reducer, 1-3/4" 21 Spline	290#	290#	\$ 2,808
You MUST Choose a Skid Shoe Option				
-50	Skid Shoes, Outer, Side Mount	31#	31#	\$ 138
-51	Skid Shoes, Inner, Rear Mount	50#	50#	\$ 196
Color Options (No Option=Buckskin)				
-82	Orange			

HRS30 Series Hydraulic Reservoir System

[RETURN TO INDEX](#)

Minimum HP Required: 52 HP • Self Contained



Hitch: Cat 1 & 2 3-Point
 PTO Input: 540 RPM on Pump, Cat. 2
 Hydraulic Pump Output Capacity: 25 GPM at 3,000 psi
 Reservoir Capacity: 35 Gallon
 Reversing Solenoid Valve: Optional
 Manual Reversing Valve: Optional
 Pressure Relief Valve: Optional
 Tank Construction: Steel
 In-line Return Filter: 10 Micron
 Case Drain Port
 HP Requirement: 52 HP for 25 GPM
 Hydraulic Hose & Fittings: Approx 48ft (24 x 2)
 High Quality Hose
 Optional Oil Cooler for No Valve Option

Snow Tools

MODEL NUMBER	DESCRIPTION	APPROX. MACHINE WEIGHT	SHIPPING WEIGHT	LIST PRICE
HRS3025-40	HYDRAULIC PUMP & RESERVOIR SYSTEM 540 RPM - 25 GPM with No Valve, with Cooler	385#	415#	\$ 5,363
HRS3025-41	HYDRAULIC PUMP & RESERVOIR SYSTEM 540 RPM - 25 GPM with Manual Valve, with Cooler	392#	422#	\$ 5,423
HRS3025-42	HYDRAULIC PUMP & RESERVOIR SYSTEM 540 RPM - 25 GPM with Solenoid Valve, with Cooler	421#	451#	\$ 6,096
HRS3025-21-43	HYDRAULIC PUMP & RESERVOIR SYSTEM 540 RPM - 25 GPM with Large Flat Face Couplers without Oil Cooler	382#	412#	\$ 4,479
<u>MAY CHOOSE (OPTION 40, 41, 42)</u>				
-20	SMALL FLAT-FACED COUPLERS (Std Flow Ends)	3#	3#	\$ 131
-21	LARGE FLAT-FACED COUPLERS (High Flow Ends)	3#	3#	\$ 214
<u>MAY CHOOSE</u>				
-90	CASE DRAIN KIT W/COUPLERS	15#	15#	\$ 164
-91	CASE DRAIN KIT FOR SOLENOID (Option 42 Only)	15#	15#	\$ 164

This self contained, 3-point auxiliary hydraulic unit allows you to operate hydraulic driven implements with tractors that do not have high enough GPM flow on their own.

STB10 Series Snow Trip Blades

RETURN TO INDEX

25-40 HP



Width: 60", 72"
 Height: 21"
 Moldboard: 12 Gauge, Formed
 30° Left or Right Angle
 Optional Blades:
 1080 Steel: 1/2" x 6", Reversible, Replaceable
 Poly: 1/2" x 6", Reversible, Replaceable
 Replaceable AR400 Skid Shoes
 Universal Quick-Attach
 Optional Single Cylinder, Dual Cylinder,
 or Dual Cylinder with Cushion Valve

NOT to be used on Skid Steers

MODEL NUMBER	DESCRIPTION	APPROX. MACHINE WEIGHT	SHIPPING WEIGHT	LIST PRICE
STB1060	10 SERIES - 60" SNOW TRIP BLADE	315#	335#	\$ 1,965
STB1072	10 SERIES - 72" SNOW TRIP BLADE	324#	346#	\$ 2,004
ADD OPTION NO. You MUST Choose a Cutting Edge				
-01	Steel Cutting Edge - 60"	52#	52#	\$ 78
-02	Poly Cutting Edge - 60"	63#	63#	\$ 119
-01	Steel Cutting Edge - 72"	62#	62#	\$ 96
-02	Poly Cutting Edge - 72"	76#	76#	\$ 143
You MAY Choose a Deflector				
-21	Top Rubber Deflector - 60" (301-483A)	37#	37#	\$ 44
-21	Top Rubber Deflector - 72" (301-484A)	45#	45#	\$ 52
You MUST Choose Angling Option				
-30	Manual Angle	-	-	\$ N/C
-31	Single Cylinder (301-492A)	19#	19#	\$ 214
-32	Dual Cylinder w/Cushion Valve (301-534A)	48#	48#	\$ 687
-33	Dual Cylinders (301-530A)	41#	41#	\$ 473
You MAY Choose Hose Bundle				
-42	24' Tractor Hoses (301-506A)	10#	10#	\$ 151
-43	Tractor Hoses, Bulkhead (301-507A)	2#	2#	\$ 73
You MAY Choose Couplers				
-52	1/2" Body Poppet Couplers (301-508A)	1#	1#	\$ 18
-53	1/4" Body Poppet Couplers (301-509A)	1#	1#	\$ 28
You MAY Choose 3rd Function Kit				
-12	Hose Kit for 3rd Function (Hoses from Bulkhead to Grapple) (301-565A)	8#	8#	\$ 149
-13	Hose Kit for 3rd Function (use with Option 71) (Hoses from Bulkhead to Grapple) (301-566A)	8#	8#	\$ 128
-70	B3300/LA504 3rd Function Kit (Does not include hoses from Bulkhead to Grapple) (380-093A)	15#	15#	\$ 744
-71	B2301/B2601/B2320/B2620 3rd Function Kit (Does not include hoses from Bulkhead to Grapple) (380-149A)	25#	25#	\$ 770
-72	L2501/L3301/L3901/L3200/L3800 3rd Function Valve Kit (380-152A)	25#	22#	\$ 744
-73	B3350/B2650 Cab & Non-Cab 3rd Function Valve (380-168A)	22#	22#	\$ 770

STB15 Series Snow Trip Blades

RETURN TO INDEX

Snow Tools

30-70 HP

Width: 72", 84", 96"
Height: 27"
Moldboard: 10 gauge, formed
30° Left or Right Angle



Universal Skid Hitch
Optional Dual Cylinder,
or Dual Cylinder with Cushion Valve
Built in Lateral Oscillation
96" Only Available w/Dual Cylinder & Cushion Valve

Optional Blades:
1080 Steel: 1/2" x 6", reversible, replaceable
Poly: 1/2" x 6", reversible, replaceable
Replaceable AR400 Skid Shoes

NOT to be used on Skid Steers

MODEL NUMBER	DESCRIPTION		APPROX. MACHINE WEIGHT	SHIPPING WEIGHT	LIST PRICE
STB1572	15 SERIES - 72" SNOW TRIP BLADE		500#	521#	\$ 2,433
STB1584	15 SERIES - 84" SNOW TRIP BLADE		518#	539#	\$ 2,520
STB1596	15 SERIES - 96" SNOW TRIP BLADE		536#	557#	\$ 2,609
ADD OPTION NO.					
<u>You MUST Choose a Cutting Edge</u>					
-01	Steel Cutting Edge - 72"	(301-480A)	62#	62#	\$ 96
-02	Poly Cutting Edge - 72"	(301-488A)	76#	76#	\$ 143
-01	Steel Cutting Edge - 84"	(301-481A)	73#	73#	\$ 112
-02	Poly Cutting Edge - 84"	(301-489A)	88#	88#	\$ 168
-01	Steel Cutting Edge - 96"	(301-482A)	83#	83#	\$ 128
-02	Poly Cutting Edge - 96"	(301-490A)	100#	100#	\$ 193
<u>You MAY Choose a Deflector</u>					
-21	Top Rubber Deflector - 72"	(301-484A)	45#	45#	\$ 52
-21	Top Rubber Deflector - 84"	(301-485A)	53#	53#	\$ 59
-21	Top Rubber Deflector - 96"	(301-486A)	60#	60#	\$ 67
<u>You MUST Choose Angling Option</u>					
-30	Manual Angle (N/A on 96")		-	-	\$ N/C
-32	Dual Cylinder w/Cushion Valve	(301-463A)	48#	48#	\$ 631
-33	Dual Cylinders (N/A on 96")	(301-531A)	41#	41#	\$ 417
<u>You MAY Choose Hose Bundle</u>					
-42	24' Tractor Hoses	(301-506A)	10#	10#	\$ 151
-43	Tractor Hoses, Bulkhead	(301-507A)	2#	2#	\$ 73
<u>You MAY Choose Couplers</u>					
-52	1/2" Body Poppet Couplers	(301-508A)	1#	1#	\$ 18
-53	1/4" Body Poppet Couplers	(301-509A)	1#	1#	\$ 28
<u>You MAY Choose 3rd Function Kit</u>					
-12	Hose Kit for 3rd Function (Hoses from Bulkhead to Grapple)	(301-565A)	5#	5#	\$ 149
-70	B3300/LA504 3rd Function Kit (Does not include hoses from Bulkhead to Grapple)	(380-093A)	15#	15#	\$ 744
-72	L2501/L3301/L3901/L3200/L3800 3rd Function Valve Kit	(380-152A)	22#	22#	\$ 744
-73	B3350/B2650 Cab & Non-Cab 3rd Function Valve	(380-168A)	22#	22#	\$ 770
-74	MX4700/LA844, MX4800/LA1065, MX5100/LA844, MX5200/LA1065, MX5800/LA1065 3rd Function Valve Kit (Does not include hoses from Bulkhead to Grapple)	(380-166A)	20#	20#	\$ 770

SPL05 Series Loader Mount Snow Pushers

RETURN TO INDEX

Up to 28 HP



- Width: 48", 60"
- Height: 18"
- Depth: 18"
- Moldboard: 12 Gauge
- Side Panels: 3/16"
- Optional Blades:
 - Steel: 4" x 3/8"
 - Poly: 6" x 1/2"
- Optional Pullback
- Replaceable Skid Shoes
- BX Hitch
- Orange Only

NOTE: Fits 60 and 70 series BX Quick-Hitch, 60, 70 and 80 Series BX direct pin-on, and universal quick-hitch.

MODEL NUMBER	DESCRIPTION	APPROX. MACHINE WEIGHT	SHIPPING WEIGHT	LIST PRICE
SPL0548-82	05 SERIES LOADER SNOW PUSHER - 48"	147#	167#	\$ 639
ADD OPTION NO.				
-02	Steel Blade - 48"	21#	21#	\$ 77
-03	Poly Blade - 48"	5#	5#	\$ 127
-10	Pullback Assembly - 48"	50#	50#	\$ 148
-71	BX to Universal Hitch Adaptor (303-476A)	24#	24#	\$ 126
-72	BX80 Loader Arm Pin-on Kit (380-296A)	2#	2#	\$ 14
-73	Direct Loader Pin Kit for BX60 & BX70 (380-146A)	2#	2#	\$ 14
SPL0560-82	05 SERIES LOADER SNOW PUSHER - 60"	163#	184#	\$ 677
ADD OPTION NO.				
-02	Steel Blade - 60"	27#	27#	\$ 90
-03	Poly Blade - 60"	18#	18#	\$ 152
-10	Pullback Assembly - 60"	61#	61#	\$ 163
-71	BX to Universal Hitch Adaptor (303-476A)	24#	24#	\$ 126
-72	BX80 Loader Arm Pin-on Kit (380-296A)	2#	2#	\$ 14
-73	Direct Loader Pin Kit for BX60 & BX70 (380-146A)	2#	2#	\$ 20

SPL10 Series Loader Mount Snow Pushers

[RETURN TO INDEX](#)

20 - 45 HP



- Width: 60", 72", 84"
- Height: 24"
- Depth: 24"
- Moldboard: 10 Gauge
- Side Panels: 1/4"
- Optional Blades:
 - Steel: 1/2" x 6", Reversible, Replaceable
 - Poly: 1" x 8", Reversible, Replaceable
- Optional Pullback
- Replaceable AR400 Skid Shoes
- Universal Skid Hitch
- Black Only

NOT to be used on Skid Steers

Snow Tools

MODEL NUMBER	DESCRIPTION	APPROX. MACHINE WEIGHT	SHIPPING WEIGHT	LIST PRICE
SPL1060	10 SERIES LOADER SNOW PUSHER - 60"	294#	318#	\$ 1,087
ADD OPTION NO.				
-01	1" Rubber Blade - 60"	27#	27#	\$ 269
-02	Steel Blade - 60"	52#	52#	\$ 110
-10	Pullback Assembly - 60"	104#	104#	\$ 225
SPL1072	10 SERIES LOADER SNOW PUSHER - 72"	315#	338#	\$ 1,137
ADD OPTION NO.				
-01	1" Rubber Blade - 72"	33#	33#	\$ 335
-02	Steel Blade - 72"	62#	62#	\$ 121
-10	Pullback Assembly - 72"	123#	123#	\$ 253
SPL1084	10 SERIES LOADER SNOW PUSHER - 84"	338#	362#	\$ 1,187
ADD OPTION NO.				
-01	1" Rubber Blade - 84"	62#	62#	\$ 389
-02	Steel Blade - 84"	72#	72#	\$ 141
-10	Pullback Assembly - 84"	142#	142#	\$ 280

SSP25 Series Snow Pushers

RETURN TO INDEX

50-80 HP



Hitch: Quick-Attach
 Working Width: 10', 12'
 Carrier Lift Capacity: Less than 5,000 lbs
 Carrier Max Operating Width: Less than 8,000 lbs
 Moldboard Height: 36"
 Moldboard Thickness: 3/16"
 Side Panels w/Supports: 5/16" Plate
 Blade Depth: 35"
 Replaceable Bottom Wear Edge:
 1-1/2" x 8" Rubber w/Slotted Hole or
 1/2" x 6" 1045 Steel
 Mounting Steps: Serrated, on Hitch
 Skid Shoe: AR400, 1/2" x 4" Reversible, Adjustable
 Optional Pull Back Blade with 1-1/2" x 8" Rubber
 Wear Edge (10' only)

MODEL NUMBER	DESCRIPTION	APPROX. MACHINE WEIGHT	SHIPPING WEIGHT	LIST PRICE
SSP2510	25 SERIES - 10' SNOW PUSHER	954#	1,000#	\$ 3,175
ADD OPTION NO.	You MUST choose a Wear Edge Option			
-01	Rubber Wear Edge	96#		\$ 680
-02	Steel Wear Edge	104#		\$ 198
	You MAY choose Options			
-10	10' Pull Back Blade (303-385A)	357#		\$ 1,239
-11	End Panel Braces (303-408A)	32#		\$ 169
SSP2512	25 SERIES - 12' SNOW PUSHER	1,065#	1,115#	\$ 3,523
ADD OPTION NO.	You MUST choose a Wear Edge Option			
-01	Rubber Wear Edge	114#		\$ 816
-02	Steel Wear Edge	125#		\$ 236
	You MAY choose			
-11	End Panel Braces (303-408A)	32#		\$ 169
ACCESSORIES				
323-026A	Markers (cannot be used in conjunction with pull back blade)	6#		\$ 48

Freight Charts

RETURN TO INDEX

Freight Charts

	IMPLEMENTS* & ZERO TURNS*		SNOW- BLOWER LTL	DRILLS** & NO- TILL SEEDERS
	LP TRUCK	LTL		
Alabama	21	26	33	676
Arizona	26	31	39	788
Arkansas	29	30	38	376
California	31	33	41	1,096
Colorado - East of I-25	22	27	34	371
Colorado - West of I-25	25	34	43	448
Connecticut	32	38	48	1,023
Delaware	30	42	53	1,031
Florida Panhandle	28	31	39	835
Florida	32	36	45	991
Georgia	29	30	38	810
Idaho	30	32	40	1,031
Illinois	22	24	30	371
Indiana	24	27	34	449
Iowa	22	23	29	371
Kansas	19	20	25	371
Kentucky	22	24	30	481
Louisiana	24	36	45	512
Maine	32	47	59	1,454
Maryland	29	35	44	831
Massachusetts	32	38	48	1,163
Michigan	24	27	34	656
Minnesota	24	26	33	498
Mississippi	23	26	33	529
Missouri	22	23	29	371
Montana	30	37	46	859
Nebraska	23	24	30	371
Nevada	28	31	39	921
New Hampshire	32	36	45	1,174
New Jersey	30	36	45	907
New Mexico	27	30	38	402
New York	30	40	50	1,028
North Carolina	30	34	43	841
North Dakota	30	35	44	552
Ohio	25	28	35	560
Oklahoma	22	23	29	371
Oregon	30	38	48	1,212
Pennsylvania	30	34	43	852
Rhode Island	32	50	63	1,163
South Carolina	25	31	39	826
South Dakota	24	27	34	402
Tennessee	24	32	40	489
Texas	24	26	33	448
Utah	30	32	40	634
Vermont	32	46	58	1,232
Virginia	25	35	44	815
W. Virginia	26	34	43	677
Washington	32	39	49	1,168
Wisconsin	24	29	36	544
Wyoming	29	39	49	488

Minimum charge of \$120 applies to LTL shipments. For CPUs, specific product locations are noted in pricebooks.

ABILENE PLANT
1100 NW 8th
Abilene, KS 67410
(Implements, Attachments)

LUCAS PLANT
240 S Greeley
Lucas, KS 67648
(Implements, Attachments)

KIPP PLANT
244 N Hugh
Kipp, KS 67401

SALINA PLANT
601 Idlewilde
Salina, KS 67401
(Compact Drills & No-Till Seeders)

TIPTON PLANT
607 Main St.
Tipton, KS 67485

ELLSWORTH PLANT
910 E. 8th St.
Ellsworth, KS 67439

*All Rates per 100 lbs. (CWT)

** Drills & NTS are Flat Rate



P.O. Box 5060 • Salina, KS 67402-5060 • (888) 987-7433 • www.landpride.com